

HISTORY

PRODUCT NUMBER: PF99003
 PRODUCT NAME: PROFORM ERS 10.0 PT

DESCRIPTION: 1993 Treadmill
 0-10 mph, 2.5 HP, DC, treadmill,
 hoodless, power incline, adjustable
 cushion deck, programmable speed/incline,
 dual upright with welded u-shape handlebar,
 expanded running surface

SIMILAR TO 29727

COLORS: ALL BLACK

SHIPPING SPEC:

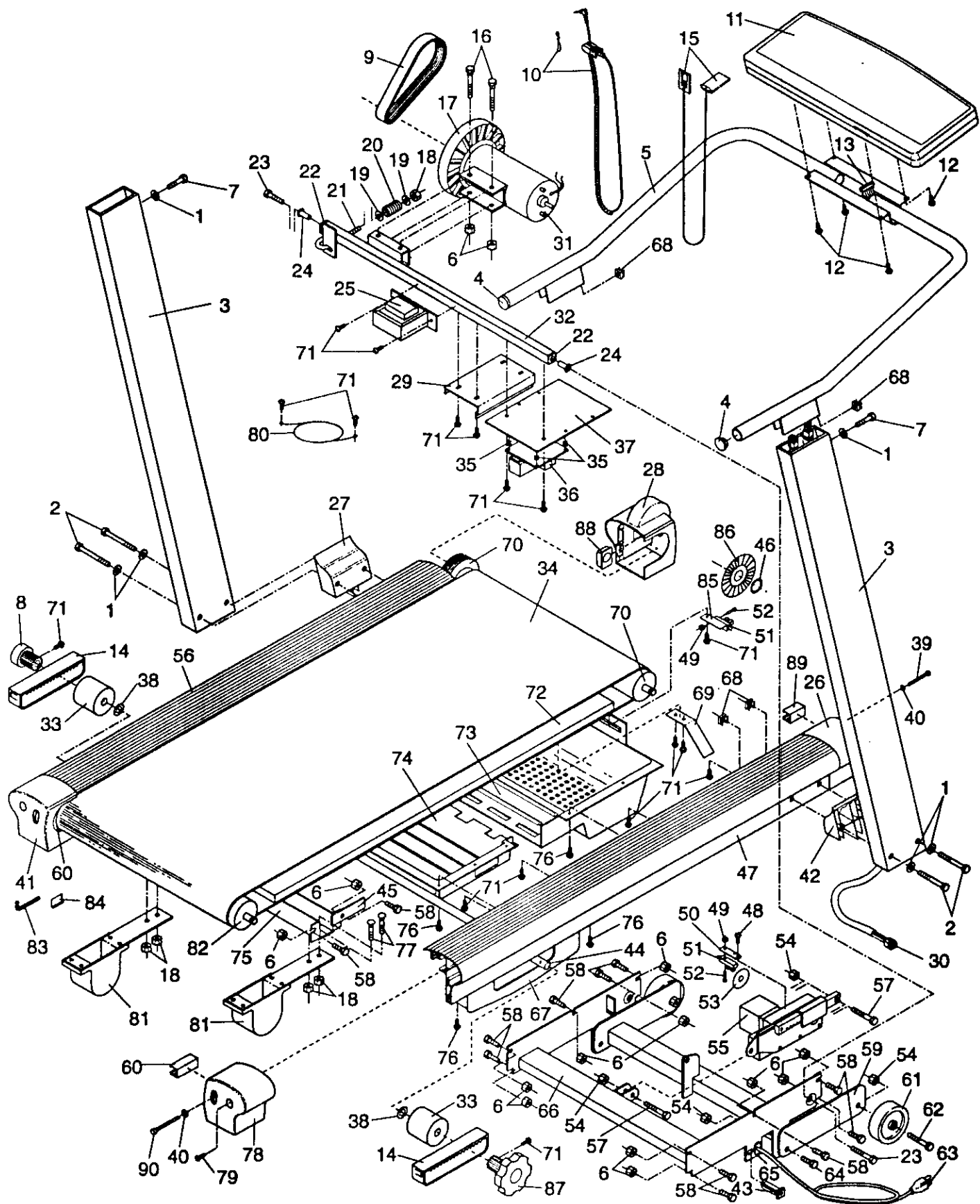
ASSEMBLED SPEC:

ELECTRONICS: ECT87 - CONSOLE

<u>MFG LOCATION</u>	<u>APPROX DATE BEGAN</u>	<u>APPROX DATE END</u>	<u>VERSION</u>
WESLO LOGAN	10/93	10/93	PF990030
WESLO LOGAN	10/93	3/94	PF990031
WESLO LOGAN	4/93	7/94	PF990032
WESLO LOGAN	8/94		PF990033

EXPLODED DRAWING—Model No. PF990030

Rev. 10/93



MODEL NUMBER: PF99003
 VERSION: 00
 PRODUCT NAME: PROFORM ERS 10.0PT
 PRODUCT DESC:

MODEL/PART BOOK LISTING

INT023P

RUN DATE: 5/09/96

RUN TIME: 17:07:17

KEY NUMBER	PART NUMBER	DESCRIPTION	QUANTITY
	.	PROFORM ERS 10.0 PT	0
1	014086	UPRIGHT WASHER	6
2	013485	3/8" X 4 1/2"UPRIGHT BOLT	2
3	114375	UPRIGHT	2
4	114005	HANDRAIL ENDCAP	1
5	114371	HANDRAIL	1
6	105477	FLANGE NUT	1
7	114489	3/8" X1 1/4"HANDRAIL BOLT	1
8	113005	ROD ENDCAP	1
9	106939	MOTOR BELT	1
10	119946	PULSE/CLOTHES CLIP ASSY.	1
11	115065	CONSOLE ASSEMBLY	1
.	.	113809 CONSOLE	1
.	.	115064 CN-INSTALL INSTR.	1
12	108404	CONSOLE SCREW	1
13	114365	HANDRAIL WIRE HARNESS	1
14	113003	CUSHION SPRING INSERT	1
15	114265	SAFETY KEY/CLIP	1
16	123385	MOTOR BOLT	1
17	113278	PULLEY/FLYWHEEL/FAN ASSY.	1
18	012082	TENSION/SRPING FOOT NUT	1
19	014041	TENSION WASHER	1
20	104514	TENSION SPRING	1
21	103855	J-BOLT	1
22	113268	ISOLATOR	1
23	013303	MOTOR SWIVEL BOLT	1
24	101168	TEE NUT	1
25	109365	CHOKE	1
26	117400	RIGHT FRONT ENDCAP ASSY.	1
.	.	113185 RT FRONT ENDCAP	1
.	.	116511 SPACER	1
.	.	117399 REPLACEMENT INSTR.	1
.	.	113603 REAR ROLLER INSERT	1
.	.	120970 REPLACEMENT INST	1
27	113264	LEFT UPRIGHT SPACER	1
28	120975	LEFT FRONT ENDCAP ASST	1
.	.	113184 LT FRONT ENDCAP	1
.	.	116899 FRONT RLLR INSERT	1
.	.	120972 REPLACEMENT INST	1
29	110447	CONTROLLER W/CN	1
.	.	108580 CONTROLLER	1
.	.	110446 CN-INSTALL INSTR.	1
30	114366	UPRIGHT WIRE HARNESS	1
31	115055	MOTOR W/CONSUMER NOTICES	1
.	.	124181 MOTOR	1
.	.	115054 CN-INSTALL INSTR.	1
.	.	122179 CN-MOTOR CHANGE	1
31A	115056	MOTOR/PULY/FLYWHL/FAN ASY	1
.	.	124181 MOTOR	1
.	.	113278 PULY/FLYWHL/FAN	1
.	.	115054 CN-INSTALL INSTR.	1
.	.	122179 CN-MOTOR CHANGE	1
32	115057	MOTOR SWIVEL SHAFT W/CN	1
.	.	113983 MOTOR SWIVEL SHAFT	1

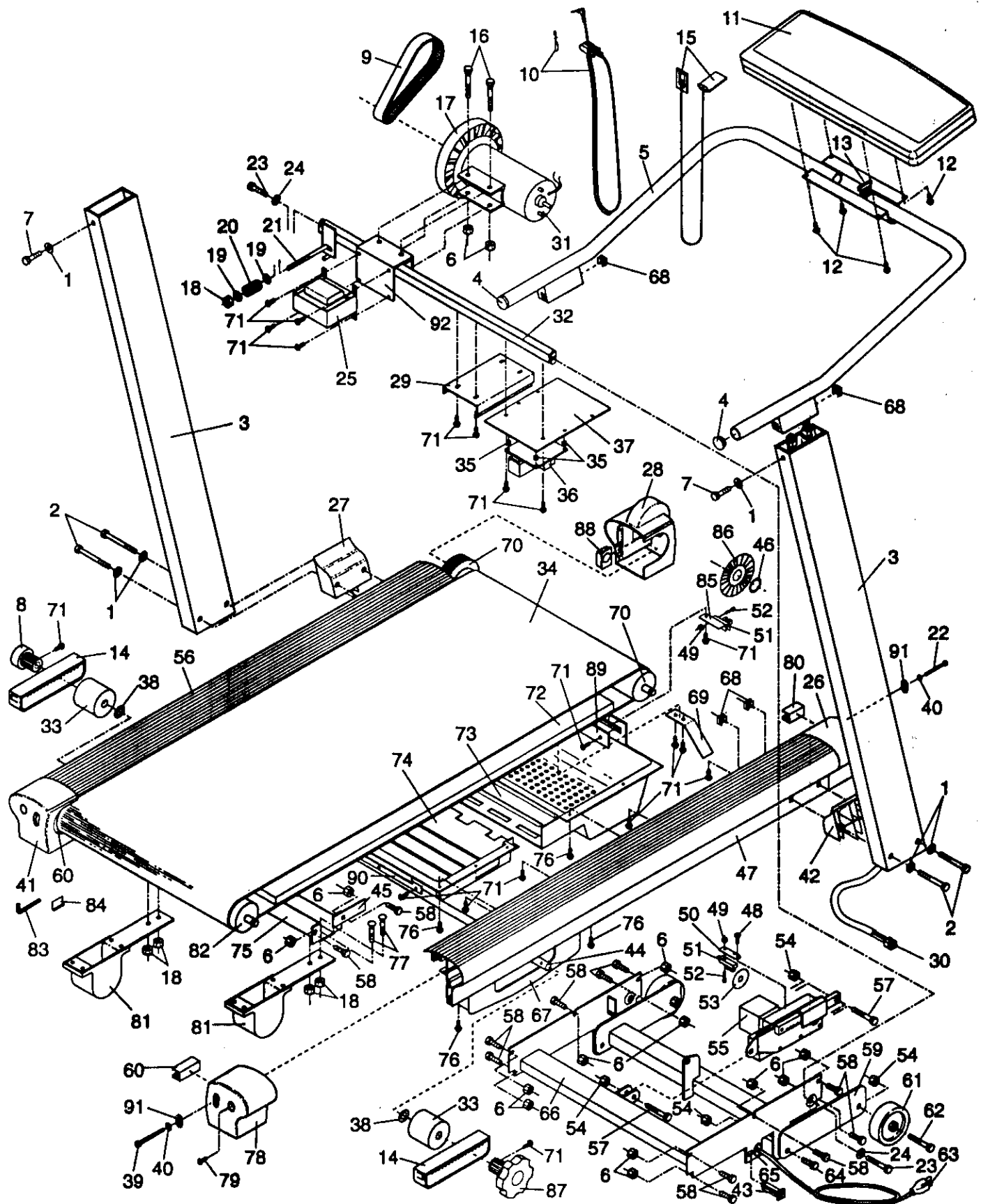
MODEL NUMBER: PF99003
 VERSION: 00
 PRODUCT NAME: PROFORM ERS 10.0PT
 PRODUCT DESC:

MODEL/PART BOOK LISTING

KEY NUMBER	PART NUMBER	DESCRIPTION	QUANTITY
.	.	115054 CN-INSTALL INSTR.	1
33	106053	CUSHION SPRING SPACER	2
34	124634	WALKING BELT W/CN	1
.	.	129807 WALKING BELT	1
.	.	115049 CN-INSTALL INSTR.	1
35	015071	PLASTIC STAND-OFF	1
36	108062	POWER BOARD ASSEMBLY	1
.	.	118053 POWER BOARD	1
.	.	015071 PLASTIC STAND-OFF	1
.	.	102982 CN-INSTALL INSTR.	1
#	110463	POWER BOARD FUSE	1
37	114037	MOUNTING PLATE	1
38	012155	PUSH NUT	1
39	105444	FRONT ROLLER ADJ. BOLT	1
40	014127	ADJUSTMENT WASHER	1
41	120973	LEFT PEAR ENDCAP ASSY	1
.	.	113192 LF REAR ENDCAP	1
.	.	113605 REAR ROLLER INSERT	1
.	.	120971 REPLACEMENT INST	1
42	113265	RIGHT HANDRAIL SPACER	1
43	109382	CIRCUIT BREAKER	1
44	114356	ADJUSTMENT ROD	1
45	115404	REINFORCEMENT PLATE	1
46	108778	RETAINER	1
47	115051	RIGHT FRAME RAIL W/CN	1
.	.	114303 RIGHT RAIL	1
.	.	115048 CN-INSTALL INSTR.	1
48	109372	BRACKET SCREW	1
49	012152	SWITCH NUT	1
50	109371	INCLINE OPTIC SWITCH BKT	1
51	102955	OPTIC SWITCH	1
52	102959	SWITCH BOLT	1
53	109370	OPTIC DISK	1
54	012108	NUT	1
55	115523	INCLINE MOTOR	1
56	115050	LEFT FRAME RAIL W/CN	1
.	.	114301 LEFT RAIL	1
.	.	115047 CN-INSTALL INSTR.	1
57	013369	INCLINE BOLT	1
58	013211	MOTOR FRAME BOLT	1
59	115475	INCLINE LEG	1
60	113605	REAR ROLLER INSERT	1
61	052014	WHEEL	1
62	013399	WHEEL BOLT	1
63	031229	POWER CORD	1
64	013547	INCLINE LEG BOLT	1
65	019084	GROMMET	1
66	113980	MOTOR FRAME	1
67	114345	CUSHION COVER	1
68	111869	CAGE NUT	1
69	109265	BELT GUIDE	1
70	115061	FRONT ROLLER/PULLEY ASSY.	1
71	108080	SMALL SCREW	1
72	124658	WALKING PLATFORM W/CN	1

EXPLODED DRAWING—Model No. PF990031

Rev. 12/93



MODEL NUMBER: PF99003
 VERSION: 01
 PRODUCT NAME: PROFORM ERS 10.0PT
 PRODUCT DESC:

MODEL/PART BOOK LISTING

PAGE 1
 INI023P1
 RUN DATE: 3/11/97
 RUN TIME: 16:34:17

KEY NUMBER	PART NUMBER	DESCRIPTION	QUANTITY
.	.	PROFORM ERS 10.0 PT	0
1	014086	UPRIGHT WASHER	6
2	013485	3/8" X 4 1/2"UPRIGHT BOLT	4
3	114375	UPRIGHT	2
4	114005	HANDRAIL ENDCAP	2
5	114371	HANDRAIL	1
6	105477	FLANGE NUT	16
7	114489	3/8" X1 1/4"HANDRAIL BOLT	2
8	113005	ROD ENDCAP	1
9	106939	MOTOR BELT	1
10	119946	PULSE/CLOTHES CLIP ASSY.	1
11	115065	CONSOLE ASSEMBLY	1
.	.	113809 CONSOLE	1
.	.	115064 CN-INSTALL INSTR.	1
12	108404	CONSOLE SCREW	4
13	114365	HANDRAIL WIRE HARNESS	1
14	113003	CUSHION SPRING INSERT	2
15	114265	SAFETY KEY/CLIP	1
16	103053	MOTOR BOLT	2
17	113278	PULLEY/FLYWHEEL/FAN ASSY.	1
18	012082	TENSION/SRPING FOOT NUT	5
19	014041	TENSION WASHER	2
20	104514	TENSION SPRING	1
21	103855	J-BOLT	1
22	105444	FRONT ROLLER ADJ. BOLT	1
23	013303	MOTOR SWIVEL BOLT	2
24	014066	LOCK WASHER	2
25	109365	CHOKER	1
26	113185	RIGHT FRONT ENDCAP	1
27	113264	LEFT UPRIGHT SPACER	1
28	120975	LEFT FRONT ENDCAP ASSY	1
.	.	113184 LT FRONT ENDCAP	1
.	.	116590 FRONT RLLR INSERT	1
.	.	120972 REPLACEMENT INST	1
29	129854	CONTROLLER	1
30	114366	UPRIGHT WIRE HARNESS	1
31	115055	MOTOR W/CONSUMER NOTICE	1
.	.	124184 MOTOR	1
.	.	115054 CN-INSTALL INSTR.	1
.	.	122179 CN-MOTOR CHANGE	1
31A	115056	MOTOR/PULY/FLYWHL/FAN ASY	1
.	.	124184 MOTOR	1
.	.	113278 PULY/FLYWHL/FAN	1
.	.	115054 CN-INSTALL INSTR.	1
.	.	122179 CN-MOTOR CHANGE	1
32	116340	MOTOR SWIVEL SHAFT W/CN	1
.	.	115441 MOTOR SWIVEL SHAFT	1
.	.	116341 CN-INSTALL INSTR.	1
33	106053	CUSHION SPRING SPACER	2
34	124634	WALKING BELT W/CN	1
35	125819	PLASTIC STAND-OFF	4
36	108062	POWER BOARD ASSEMBLY	1
.	.	118053 POWER BOARD	1
.	.	125819 PLASTIC STAND-OFF	4

MODEL NUMBER: PF99003
 VERSION: 01
 PRODUCT NAME: PROFORM ERS 10.0PT
 PRODUCT DESC:

MODEL/PART BOOK LISTING

PAGE 2
 INI023P1
 RUN DATE: 3/11/97
 RUN TIME: 16:34:17

KEY NUMBER	PART NUMBER	DESCRIPTION	QUANTITY
.	.	102982 CN-INSTALL INSTR.	1
#	110463	POWER BOARD FUSE	1
37	114037	MOUNTING PLATE	1
38	012155	PUSH NUT	2
39	013206	REAR ROLLER ADJ. BOLT	2
40	014127	ADJUSTMENT WASHER	3
41	120973	LEFT REAR ENDCAP ASSY	1
.	.	113192 LT REAR ENDCAP	1
.	.	113605 REAR ROLLER INSERT	1
.	.	120971 REPLACEMENT INST	1
42	113265	RIGHT HANDRAIL SPACER	1
43	109382	CIRCUIT BREAKER	1
44	114356	ADJUSTMENT ROD	1
45	115404	REINFORCEMENT PLATE	2
46	108778	RETAINER	1
47	115051	RIGHT FRAME RAIL W/CN	1
.	.	114303 RIGHT RAIL	1
.	.	115048 CN-INSTALL INSTR.	1
48	109372	BRACKET SCREW	1
49	012152	SWITCH NUT	2
50	109371	INCLINE OPTIC SWITCH BKT	1
51	102955	OPTIC SWITCH	2
52	102959	SWITCH BOLT	2
53	109370	OPTIC DISK	1
54	012108	NUT	6
55	115523	INCLINE MOTOR	1
56	115050	LEFT FRAME RAIL W/CN	1
.	.	114301 LEFT RAIL	1
.	.	115047 CN-INSTALL INSTR.	1
57	013369	INCLINE BOLT	2
58	013211	MOTOR FRAME BOLT	14
59	115475	INCLINE LEG	1
60	113605	REAR ROLLER INSERT	2
61	052014	WHEEL	2
62	013399	WHEEL BOLT	2
63	031229	POWER CORD	1
64	013547	INCLINE LEG BOLT	2
65	019084	GROMMET	1
66	113980	MOTOR FRAME	1
67	114345	CUSHION COVER	2
68	111869	CAGE NUT	6
69	109265	BELT GUIDE	2
70	115061	FRONT ROLLER/PULLEY ASSY.	1
71	108080	SMALL SCREW	20
72	124658	WALKING PLATFORM W/CN	1
.	.	124657 WALKING PLATFORM	1
.	.	115049 CN-INSTALL INSTR.	1
.	.	NOTE: THIS ASSEMBLY HAS	0
.	.	BEEN CHANGED FROM THE	0
.	.	ORIGINAL WAXED BOARD	0
73	116099	FR SAFETY COVER W/DECAL	1
.	.	114003 FRONT SAFETY COVER	1
.	.	114486 WIRE DIAGRAM DECAL	1
74	114004	REAR SAFETY COVER	1

MODEL NUMBER: PF99003
 VERSION: 01
 PRODUCT NAME: PROFORM ERS 10.0PT
 PRODUCT DESC:

MODEL/PART BOOK LISTING

RUN DATE: 3/11/97
 RUN TIME: 16:34:17

KEY NUMBER	PART NUMBER	DESCRIPTION	QUANTITY
75	117383	CUSHION SPRING CROSSBAR	1
76	013162	SCREW	29
77	110926	CUSHION SPRING BOLT	4
78	120974	RIGHT REAR ENDCAP ASSY	1
.	.	113193 RT REAR ENDCAP	1
.	.	113605 REAR ROLLER INSERT	1
.	.	120971 REPLACEMENT INST	1
79	013300	ENDCAP SCREW	3
80	113603	RIGHT FRONT ROLLER INSERT	1
81	115046	CUSHION SPRING FOOT	2
82	115059	REAR ROLLER W/CN	1
.	.	113525 REAR ROLLER	1
.	.	115058 CN-INSTALL INSTR.	1
83	045010	ALLEN WRENCH	1
84	016028	WRENCH CLIP	1
85	114373	SPEED OPTIC SWITCH BKT	1
86	115063	SPEED OPTIC DISK ASSEMBLY	1
87	111894	CUSHION KNOB	1
88	113287	LEFT FRONT ROLLER INSERT	1
89	116093	FRONT COVER PLATE	1
90	.	REAR COVER PLATE, NOT USED	1
91	116511	ROLLER ADJUSTMENT SPACER	3
92	115293	CHOKE MOUNTING BRACKET	1
.	.	NON-ILLUSTRATED PARTS:	0
#	114486	WIRE DIAGRAM DECAL	1
#	116074	LEFT FRAME DECAL	1
#	116073	RIGHT FRAME DECAL	1
#	115716	OWNER'S MANUAL	1
#	115717	LITERATURE PACKET	1
.	.	115716 OWNER'S MANUAL	1
.	.	112589 PULSE/CLOTHES CLIP	1
.	.	117011 SILICONE	1
.	.	114412 HARDWARE KIT	1
.	.	045010 ALLEN WRENCH	1
.	.	016028 WRENCH CLIP	1
.	.	114489 HANDRAIL BOLT	2
.	.	013485 UPRIGHT BOLT	2
.	.	014086 UPRIGHT WASHER	4
.	.	*--THESE ARE ESTIMATED	0
.	.	COSTS!!!!!!	0