

PRO-FORM®

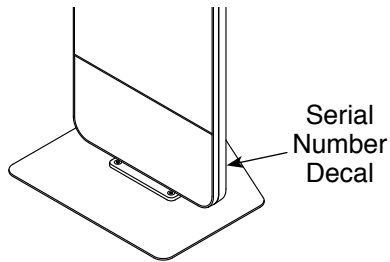
VUE

proform.com

Model No. PFB14820.0

Serial No. _____

Write the serial number in the space above for reference.



REGISTER YOUR PRODUCT

To register your product and activate your warranty today, go to my.proform.com.

CUSTOMER CARE

For service at any time, go to support.proform.com.

Or call 1-888-533-1333
Mon.–Fri. 6 a.m.–6 p.m. MT
Sat. 8 a.m.–12 p.m. MT

Please do not contact the store.

⚠ CAUTION

Read all precautions and instructions in this manual before using this equipment. Keep this manual for future reference.

USER'S MANUAL

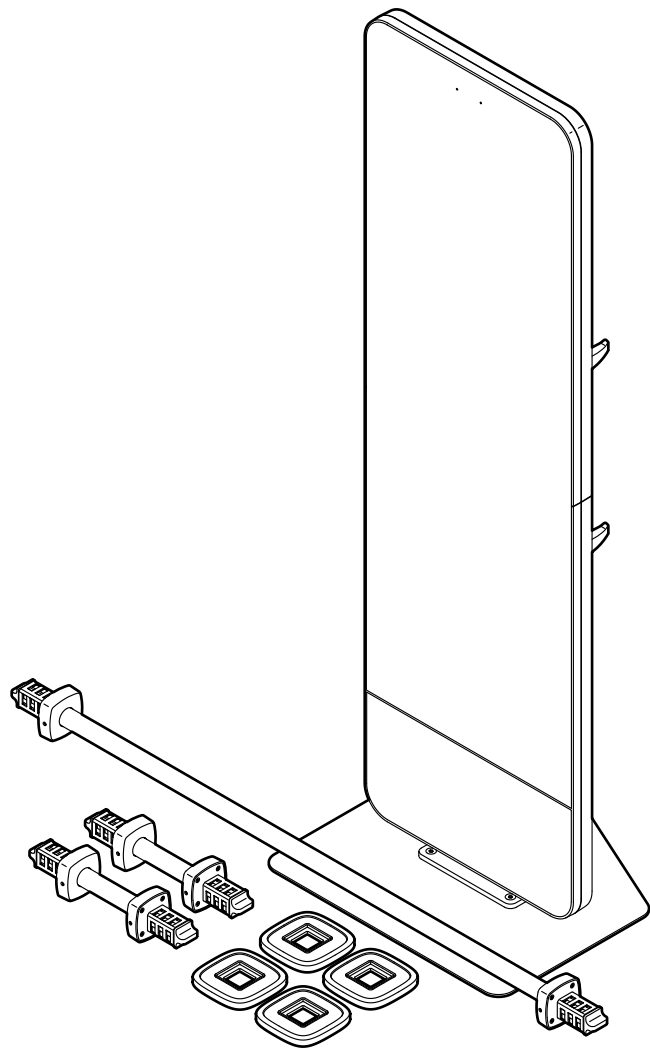



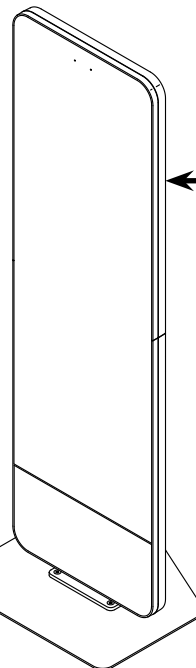
TABLE OF CONTENTS


WARNING DECAL PLACEMENT	2
IMPORTANT PRECAUTIONS	3
BEFORE YOU BEGIN	5
ASSEMBLY	6
HOW TO USE THE FITNESS MIRROR	9
MAINTENANCE AND TROUBLESHOOTING	17
FCC INFORMATION	18
EXERCISE GUIDELINES	19
PART LIST	22
EXPLODED DRAWING	23
ORDERING REPLACEMENT PARTS	Back Cover
LIMITED WARRANTY	Back Cover

WARNING DECAL PLACEMENT

This drawing shows the location(s) of the warning decal(s). **If a decal is missing or illegible, see the front cover of this manual and request a free replacement decal. Apply the decal in the location shown.** Note: The decal(s) may not be shown at actual size.

⚠️ WARNING	⚠️ ADVERTENCIA
<ul style="list-style-type: none"> • Misuse may result in serious injury. • Read user's manual prior to use and follow all warnings and instructions. • Do not allow children on or around. • Keep body, clothing, and hair, free and clear of all moving parts. • Do not climb on any part of the fitness mirror. • Replace this label if damaged, illegible or removed. 	<ul style="list-style-type: none"> • El uso indebido puede causar lesiones graves. • Lea el manual del usuario antes del uso y respete todas las advertencias e instrucciones. • No permita que los niños suban a la máquina o estén alrededor. • Mantenga el cuerpo, la ropa y el pelo alejados de todas las piezas móviles. • No se suba a ninguna parte del espejo de entrenamiento. • Reemplace esta etiqueta si está dañada, es ilegible o se retiró. 



⚠️ WARNING
<p>Do not place more than 25 lbs. (11 kg) of weight on each barbell hook or dumbbell hook. Do not place more than 10 lbs. (4.5 kg) of weight on each weight plate hook.</p>
⚠️ ADVERTENCIA
<p>No coloque más de 11 kg de peso en cada gancho para halteras o gancho para mancuernas. No coloque más de 4,5 kg de peso en cada gancho para pesas. </p>

PROFORM and IFIT are registered trademarks of ICON Health & Fitness, Inc. The Bluetooth® word mark and logos are registered trademarks of Bluetooth SIG, Inc. and are used under license. Google Maps is a trademark of Google LLC. Wi-Fi is a registered trademark of Wi-Fi Alliance. WPA and WPA2 are trademarks of Wi-Fi Alliance.

IMPORTANT PRECAUTIONS

⚠ WARNING: To reduce the risk of serious injury, read all important precautions and instructions in this manual and all warnings on your fitness mirror before using your fitness mirror. ICON assumes no responsibility for personal injury or property damage sustained by or through the use of this product.

1. It is the responsibility of the owner to ensure that all users of the fitness mirror are adequately informed of all precautions.
2. Before beginning any exercise program, consult your physician. This is especially important for persons over age 35 or persons with pre-existing health problems.
3. The fitness mirror is not intended for use by persons with reduced physical, sensory, or mental capabilities or lack of experience and knowledge, unless they are given supervision or instruction about the use of the fitness mirror by someone responsible for their safety.
4. Use the fitness mirror only as described in this manual.
5. The fitness mirror is intended for home use only. Do not use the fitness mirror in a commercial, rental, or institutional setting.
6. Keep the fitness mirror indoors, away from moisture and dust. Do not put the fitness mirror in a garage or covered patio, or near water.
7. Due to its weight and size, moving the fitness mirror requires two or three persons.
8. Place the fitness mirror on a level surface, with a mat beneath it to protect the floor or carpet. Make sure that there is enough clearance around the fitness mirror for the exercises that you will do.
9. Make sure not to hit the mirror with hand weights or any other objects. Note: Hand weights are not included.
10. Do not climb on any part of the fitness mirror.
11. Inspect and properly tighten the screws in the base regularly.
12. Keep children under age 16 and pets away from the fitness mirror at all times.
13. Always plug the power adapter into the fitness mirror before you plug it into an outlet.
14. Wear appropriate clothes while exercising; do not wear loose clothes that could become caught on the fitness mirror. Always wear athletic shoes for foot protection.
15. Set the barbell and the dumbbells on a level surface when adding or removing weight plates. Make sure to place the same amount of weight on both ends of the barbell or the dumbbells.
16. Do not place more than 20 lbs. (9 kg) of weight plates on the barbell or on each dumbbell.
17. Make sure that the knobs on the barbell and on each dumbbell are turned to the locked position before you use the barbell or the dumbbells.
18. Do not place more than 25 lbs. (11 kg) of weight on each equipment hook. Do not place more than 10 lbs. (4.5 kg) of weight on each weight plate hook.
19. Over exercising may result in serious injury or death. If you feel faint, if you become short of breath, or if you experience pain while exercising, stop immediately and cool down.

PROTECT

YOUR FITNESS EQUIPMENT
WITH AN EXTENDED SERVICE PLAN



Your new fitness equipment is not an ordinary purchase; it is an investment in your health and well being for years to come.

As the leading provider of manufacturer's extended service plans, ICON strives to protect your equipment and your future.

Please review the following service plans and find one that best fits your needs.

PREVENTIVE MAINTENANCE SERVICE PLANS

Equipment Price	3-Year Plan	5-Year Plan
\$0.00 to \$1000.00	\$199.99	\$289.99
\$1001.00 to \$1500.00	\$259.99	\$379.99
\$1501.00 to \$2500.00	\$339.99	\$489.99
(Bikes/Systems Only) \$0.00 to \$2500.00	\$139.99	NA

Features:

- Includes an annual preventive maintenance and performance check at your convenience
- Unlimited in-home repairs; no shipping required
- Covers parts and labor on all manufacturer's defects, as well as wear and tear on parts
- Up to 5 years of coverage available

STANDARD SERVICE PLANS

Equipment Price	1-Year Plan	2-Year Plan	3-Year Plan
\$0.00 to \$300.00	\$29.99	\$39.99	\$59.99
\$301.00 to \$1000.00	\$89.99	\$119.99	\$149.99
\$1001.00 to \$2000.00	\$109.99	\$139.99	\$179.99
\$2001.00 to \$3000.00	\$179.99	\$209.99	\$239.99

Features:

- Unlimited in-home repairs; no shipping required
- Covers parts and labor on all manufacturer's defects, as well as wear and tear on parts
- Up to 3 years of coverage available

To protect your fitness equipment today, please
call Customer Care at **1-800-677-3838.**
Or, visit us online at **www.utserv.com.**



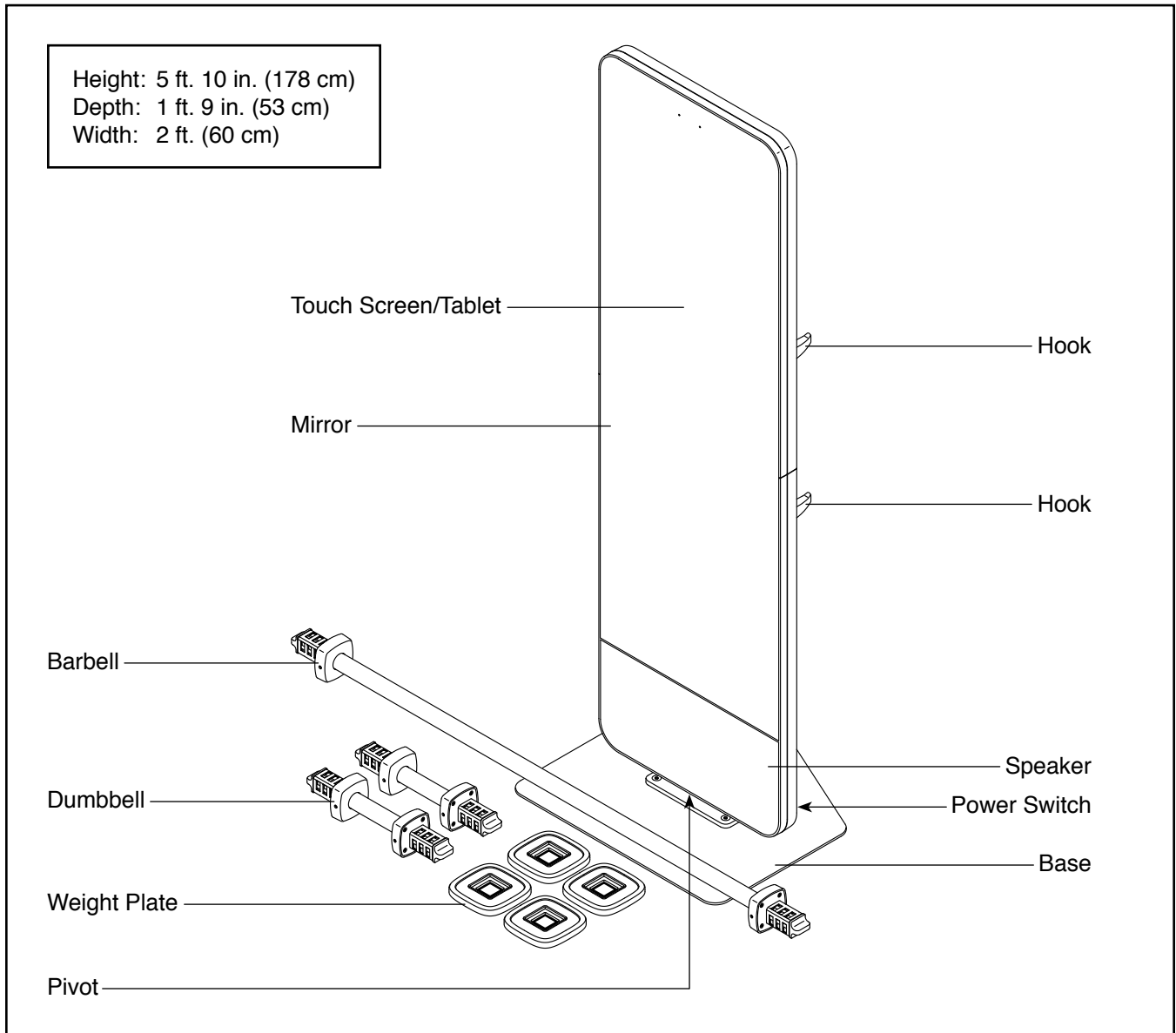
BEFORE YOU BEGIN

Congratulations for selecting the revolutionary PROFORM® VUE. The VUE is an innovative digital fitness mirror that offers a variety of immersive and interactive workouts and a variety of accessories designed to help you achieve your fitness goals in the comfort of your own home.

For your benefit, read this manual carefully before you use the fitness mirror. If you have questions after

reading this manual, please see the front cover of this manual. To help us assist you, note the product model number and serial number before contacting us. The model number and the location of the serial number decal are shown on the front cover of this manual.

Before reading further, please familiarize yourself with the parts that are labeled in the drawing below.



ASSEMBLY

Easy step-by-step interactive 3D assembly instructions for this product can be found on

BILT.

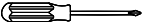
Download the **FREE** App



Scan here and search by your model number



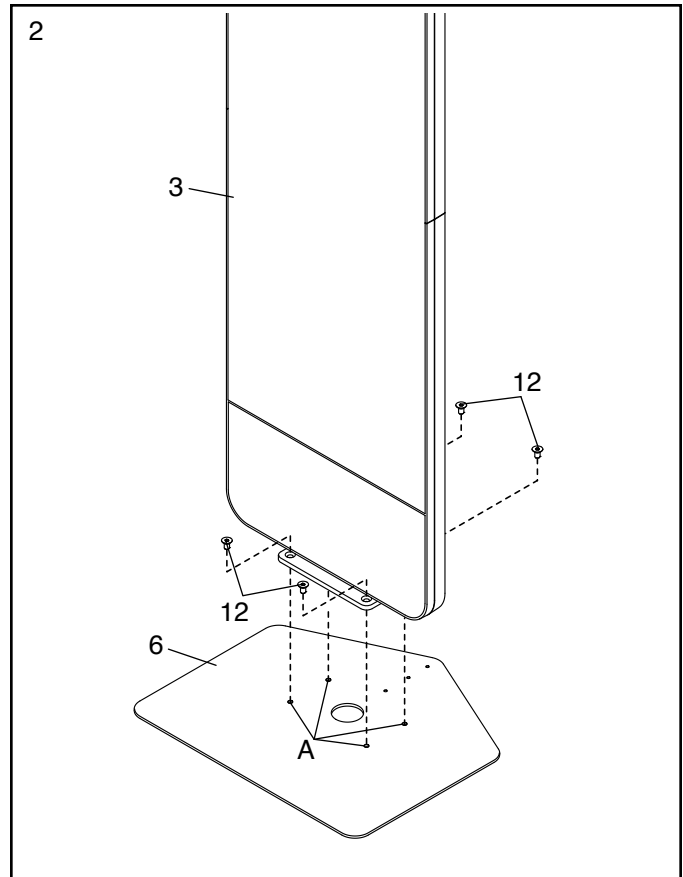
1. **To use the assembly steps in this manual, first see the helpful tips below.**

- To hire an authorized service technician to assemble this product, call 1-800-445-2480.
- Assembly requires two persons.
- Place all parts in a cleared area and remove the packing materials until you complete all assembly steps.
- To avoid damaging parts, do not use power tools.
- In addition to the included tool(s), assembly requires the following tool(s):
 - one Phillips screwdriver 

2. Orient the Mirror Assembly (3) and the Base (6) as shown.

Next, set the Mirror Assembly (3) on the Base (6), and align the indicated holes (A) in the Base with the corresponding holes in the Mirror Assembly. **Be careful to avoid scratching the Base. Have a second person hold the Mirror Assembly until you complete this step.**

Attach the Mirror Assembly (3) to the Base (6) with four M10 x 20mm Screws (12). **Start the two Screws in the back of the Mirror Assembly first, and then start the two Screws in the front; then, tighten all four Screws.** Have the second person pivot the Mirror Assembly from side to side slightly to give you access to the front holes.

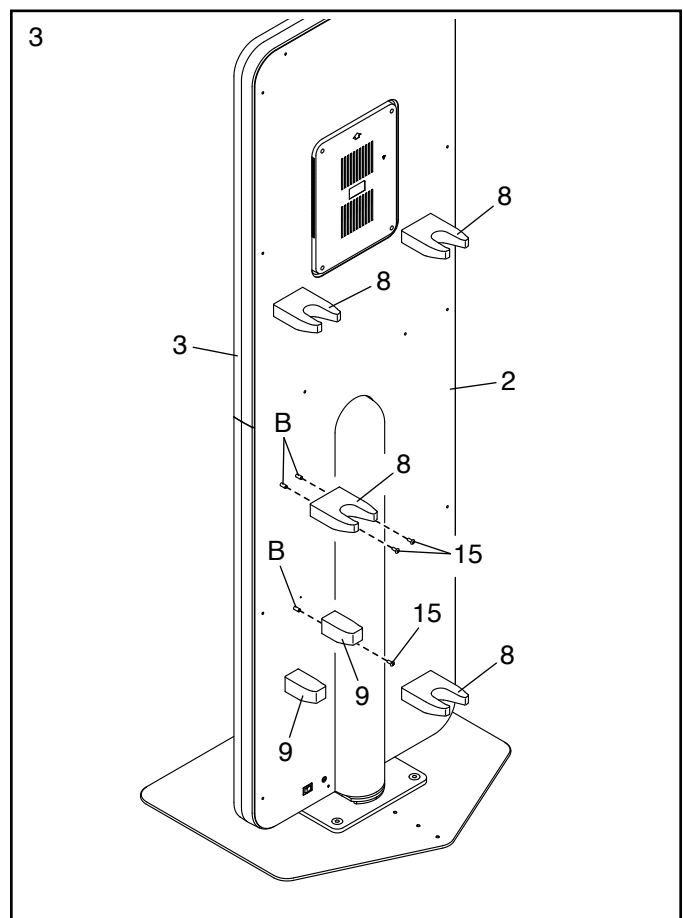


3. Have a second person hold the Mirror Assembly (3) to prevent it from pivoting during this step.

Slide an Equipment Hook (8) onto a set of mounts (B) on the Back Cover (2). Attach the Equipment Hook with two M4 x 12mm Screws (15).

Next, slide a Weight Plate Hook (9) onto a mount (B) on the Back Cover (2). Attach the Weight Plate Hook with an M4 x 12mm Screw (15).

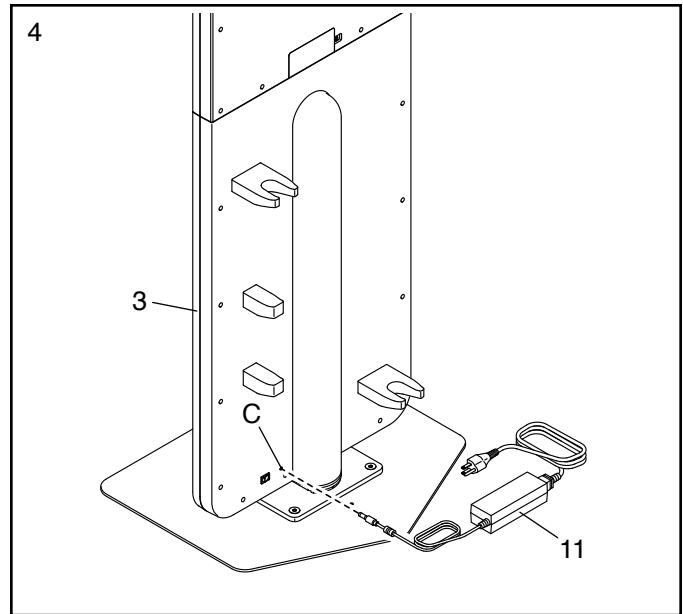
Attach the other three Equipment Hooks (8) and the other Weight Plate Hook (9) in the same way.



4. **IMPORTANT: Always plug the Power Adapter (11) into the Mirror Assembly (3) before you plug it into an outlet.**

Plug the Power Adapter (11) into the receptacle (C) on the back of the Mirror Assembly (3).

Note: To plug the Power Adapter (11) into an outlet, see HOW TO PLUG IN THE POWER ADAPTER on page 10.



5. **After the fitness mirror is assembled, inspect it to make sure that it is assembled correctly. Make sure that all parts are properly tightened before you use the fitness mirror.** Extra parts may be included. Place a mat beneath the fitness mirror to protect the floor. Remove the protective film from the mirror.

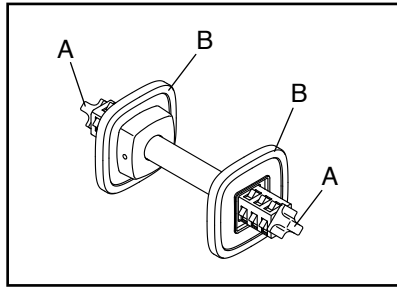
To learn how to adjust and store the accessories, and how to use the tablet in the fitness mirror, see HOW TO USE THE FITNESS MIRROR on page 9.

To register your product and activate your warranty today, go to my.proform.com.

HOW TO USE THE FITNESS MIRROR

HOW TO ADJUST AND STORE THE ACCESSORIES

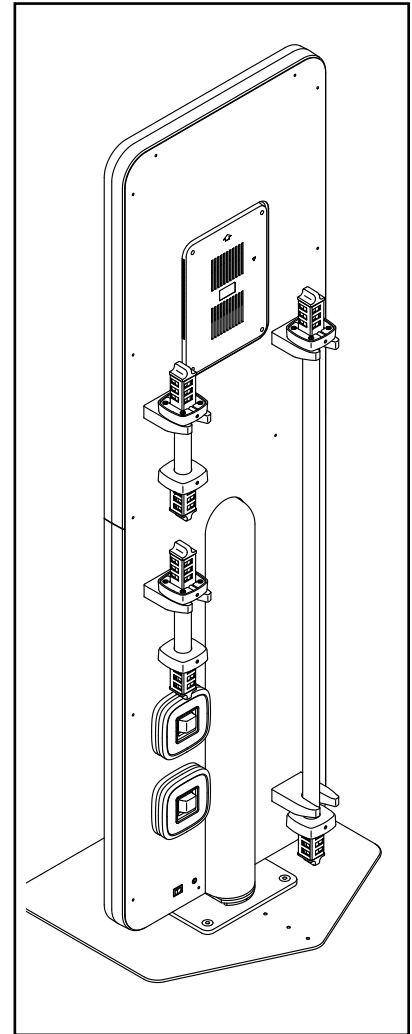
To attach weight plates to a dumbbell, first turn the knobs (A) on the ends of the dumbbell to the open position. Next, slide the desired number of weight plates (B) onto each side of the dumbbell; **make sure to place the same number of weight plates on both sides of the dumbbell.** Then, turn the knobs to the locked position; **make sure that the knobs are securely in the locked position before you use the dumbbell.**



Attach weight plates (B) to the other dumbbell and to the barbell in the same way.

Do not place more than eight weight plates (20 lbs. or 9 kg total) on each dumbbell or on the barbell.
Note: Four weight plates are included.

When the barbell, dumbbells, and weight plates are not in use, hang them on the equipment hooks and the weight plate storage hooks on the back of the fitness mirror as shown.



HOW TO ORDER OPTIONAL ACCESSORIES

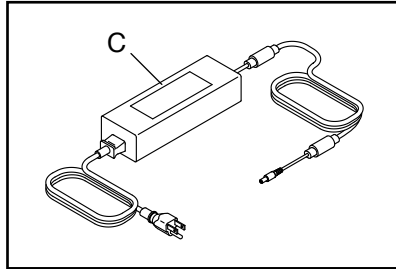
In addition to the included fitness equipment, a variety of optional fitness equipment, such as dumbbells, kettlebells, yoga mats, and resistance bands, is available. To purchase optional fitness equipment, please see the front cover of this manual. Note: You can also use your own fitness equipment with the fitness mirror.

HOW TO PLUG IN THE POWER ADAPTER

IMPORTANT: If the fitness mirror has been exposed to cold temperatures, allow it to warm to room temperature before you plug in the power adapter (C). If you do not do this, you may damage the tablet displays or other electronic components.

IMPORTANT: Always plug the power adapter (C) into the fitness mirror before you plug it into an outlet.

Plug the power adapter (C) into the receptacle on the fitness mirror (see assembly step 4 on page 8). Then, plug the power adapter into an appropriate outlet that is properly installed in accordance with all local codes and ordinances.



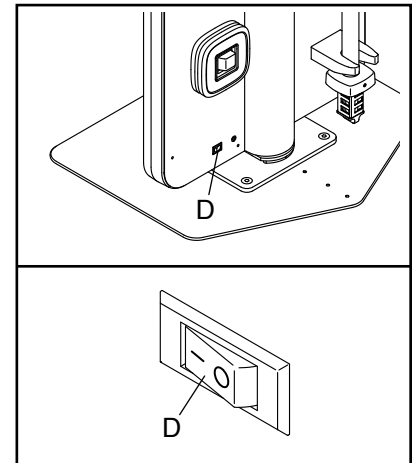
While you exercise, the tablet will display continuous exercise feedback. You can even measure your heart rate using a compatible heart rate monitor.

To turn on and turn off the tablet, see this page. To learn how to use the touch screen, see page 11. To set up the tablet, see page 11.

HOW TO TURN ON THE TABLET

The included power adapter must be used to operate the fitness mirror. See HOW TO PLUG IN THE POWER ADAPTER at the left.

When the power adapter is plugged in, press the power switch (D) located on the rear of the fitness mirror to turn on the tablet. It will take a moment for the fitness mirror to be ready for use.



If the tablet is inactive and the screen is dark, simply touch the screen to activate the tablet.

FEATURES OF THE TABLET

The advanced tablet built into the fitness mirror offers an array of features designed to make your workouts more effective and enjoyable.

The tablet features iFit technology. With iFit, you can access a large and varied workout library and track your workout results. Each iFit workout guides you through an immersive and effective exercise session.

HOW TO TURN OFF THE TABLET

If the tablet is not in use, after a few minutes the tablet will become inactive and the screen will turn dark.

When you are finished exercising, press the power switch and unplug the power adapter. **IMPORTANT: If you do not do this, the electrical components on the fitness mirror may wear prematurely.**

HOW TO USE THE TOUCH SCREEN

The tablet features a full-color touch screen. The following information will help you use the touch screen:

- The tablet functions similarly to other tablets. You can slide or flick your finger against the screen to move certain images on the screen, such as the displays in a workout.
- To type information into a text box, first touch the text box to view the keyboard. To use numbers or other characters on the keyboard, touch *?123*. To view more characters, touch *~[<*. Touch *?123* again to return to the number keyboard. To return to the letter keyboard, touch *ABC*. To use a capital character, touch the shift button (upward-facing arrow symbol). To use multiple capital characters, touch the shift button again. To return to the lowercase keyboard, touch the shift button a third time. To clear the last character, touch the clear button (backward-facing arrow with an X symbol).

HOW TO SET UP THE TABLET

Before you use the fitness mirror for the first time, set up the tablet.

1. Connect to your wireless network.

To use iFit workouts, the tablet must be connected to a wireless network. Follow the prompts on the screen to connect the tablet to your wireless network.

2. Customize settings.

Follow the prompts on the screen to set the desired settings, such as the desired unit of measurement and your time zone.

Note: To change these settings later, see HOW TO CHANGE TABLET SETTINGS on page 14.

3. Log into or create an iFit account.

Follow the prompts on the screen to log into your iFit account or to create an iFit account.

4. Check for firmware updates.

First, touch the menu button (three horizontal lines symbol), touch *Settings*, touch *Maintenance*, and then touch *Update*. The tablet will check for firmware updates. For more information, see HOW TO CHANGE TABLET SETTINGS on page 14.

Firmware updates are always designed to improve your exercise experience. As a result, new settings and features may not be described in this manual. Take time to explore the tablet to learn how new settings and features work. Also, some settings and features described in this manual may no longer be enabled.

The tablet is now ready for you to begin working out. The following pages explain how to use the iFit workouts that the tablet offers.

To work out with the tablet, see page 12. **To change tablet settings**, see page 14. **To connect to a wireless network**, see page 15. **To connect your headphones with Bluetooth**, see page 16.

Note: If there is a sheet of plastic on the screen, remove the plastic.

HOW TO WORK OUT WITH THE TABLET

To use the tablet, you must be logged into your iFit account (see step 2 below) and the tablet must be connected to a wireless network (see HOW TO CONNECT TO A WIRELESS NETWORK on page 15).

1. Touch the screen to turn on the tablet.

See HOW TO TURN ON THE TABLET on page 10. Note: It may take a few moments for the tablet to be ready for use.

2. Log in to your iFit account.

If you have not already done so, touch the menu button (three horizontal lines symbol) on the screen and then touch *Log in* to log in to your iFit account. Follow the prompts on the screen to enter your username and password.

To switch users within your iFit account, touch the menu button, touch *Settings*, and then touch *Manage Accounts*. If more than one user is associated with the account, a list of users will appear. Touch the name of the desired user.

3. Select an iFit workout from the home screen or the workout library.

Touch the buttons at the bottom of the screen to select either the home screen (Home button) or the workout library (Browse button).

To select an iFit workout from the home screen or the workout library, simply touch the desired workout button on the screen. Slide or flick the screen to scroll upward or downward if necessary.

The featured iFit workouts shown on the home screen will change periodically.

The workout library contains all of the iFit workouts available for your fitness mirror, organized into categories. To search the workout library, touch the search button (magnifying glass symbol), and select the desired filtering options.

When you select an iFit workout, the screen will show an overview of the workout that includes details such as the duration of the workout and the approximate number of calories you will burn during the workout. If desired, you can select options such as adding the workout to your schedule (see step 5) or marking the workout as a favorite (see step 6).

4. Start the iFit workout and follow your progress.

Touch *Start Workout* to start the iFit workout.

An iFit coach will guide you through an immersive video workout. Touch the screen in any open space to view and select music, trainer voice, and volume options for the workout.

The tablet offers several display modes. The display mode that you select will determine which workout information is shown.

Drag upward on the screen to enter the fullscreen display mode. Drag downward on the screen to view the workout information displays.

Touch the various workout information displays to view more options. Touch the more button (+ symbol) to view statistics or charts. Touch the center of the screen to view even more display mode options.

To pause the workout, simply touch the screen. To continue the workout, simply touch the option to resume.

To end the workout, touch the screen to pause the workout, and then follow the prompts on the screen to end the workout and return to the home screen.

When the workout ends, a workout summary will appear on the screen. If desired, you can select options such as adding the workout to your schedule (see step 5) or adding the workout to your favorites list (see step 6). Then, touch *Save Workout* to return to the home screen.

5. Schedule an iFit workout on the calendar if desired.

If desired, you can schedule an iFit workout for a future date. Simply view the overview or workout summary of the desired iFit workout, touch *Schedule*, and then select the desired date on the calendar.

When the selected date arrives, the iFit workout that you scheduled will appear on the home screen.

6. Create a list of favorite iFit workouts if desired.

To mark an iFit workout as a favorite, simply view the overview or workout summary of the desired iFit workout and touch the favorites button (heart symbol).

To view a list of iFit workouts that you have marked as your favorites, select the workout library (Browse button), and then touch *My Favorites*.

7. Wear a compatible heart rate monitor and measure your heart rate if desired.

You can wear a compatible heart rate monitor to measure your heart rate. Note: The tablet is compatible with all Bluetooth® Smart heart rate monitors.

See page 16 for information about ordering an optional compatible heart rate monitor.

The tablet will connect to your compatible heart rate monitor automatically. When your heartbeat is detected, your heart rate will be shown.

8. When you are finished exercising, turn off the tablet.

See HOW TO TURN OFF THE TABLET on page 10.

HOW TO CHANGE TABLET SETTINGS

IMPORTANT: Firmware updates are always designed to improve your exercise experience. As a result, new settings and features may not be described in this manual. Take time to explore the tablet to learn how new settings and features work. Also, some settings and features described in this manual may no longer be enabled.

1. Select the settings main menu.

First, turn on the tablet (see HOW TO TURN ON THE TABLET on page 10). Note: It may take a few moments for the tablet to be ready for use.

Next, select the home screen (Home button). When you turn on the tablet, the home screen will appear on the screen after the tablet boots up. If you are in a workout, touch the screen and follow the prompts to end the workout and return to the home screen. If you are in the settings menus, touch the back button (arrow symbol) and then touch the close button (x symbol) to return to the home screen.

Then, touch the menu button (three horizontal lines symbol) on the screen, and then touch *Settings*. The settings menu will appear on the screen.

2. Navigate the settings menus and change settings as desired.

Slide or flick the screen to scroll upward or downward if necessary. To view a settings menu, simply touch the menu name. To exit a menu, touch the back button (arrow symbol). You may be able to view and change settings in the following settings menus:

Account

- My Profile
- In Workout
- Manage Accounts

Equipment

- Equipment Info
- Equipment Settings
- Maintenance
- Wi-Fi

About

- Legal

3. Customize workout settings.

To customize workout settings, touch *In Workout*, and then touch the desired settings.

4. Customize the unit of measurement and other settings.

To customize the unit of measurement, the time zone, or other settings, touch *Equipment Info* or *Equipment Settings*, and then touch the desired settings.

5. View machine information or tablet app information.

Touch *Equipment Info*, and then touch *Machine Info* or *App Info* to view information about your fitness mirror or about the tablet app.

6. Update the tablet firmware.

For the best results, regularly check for firmware updates. Touch *Maintenance*, and then touch *Update* to check for firmware updates using your wireless network. The update will begin automatically. **IMPORTANT: To avoid damaging the fitness mirror, do not press the power switch or unplug the power adapter while the firmware is being updated.**

The screen will show the progress of the update. When the update is complete, the fitness mirror will turn off and then turn back on. If it does not, press the power switch, unplug the power adapter, and wait for several seconds. Then, plug the power adapter in again and press the power switch. Note: It may take a few moments for the tablet to be ready for use.

Note: Occasionally, a firmware update may cause the tablet to function slightly differently. These updates are always designed to improve your exercise experience.

7. Exit the settings main menu.

If you are in a settings menu, touch the back button. Then, touch the close button (x symbol) to exit the settings main menu.

HOW TO CONNECT TO A WIRELESS NETWORK

To use iFit workouts, the tablet must be connected to a wireless network.

1. Select the home screen.

First, turn on the tablet (see HOW TO TURN ON THE TABLET on page 10). Note: It may take a few moments for the tablet to be ready for use.

Next, select the home screen (Home button). When you turn on the tablet, the home screen will appear on the screen after the tablet boots up. If you are in a workout, touch the screen and follow the prompts to end the workout and return to the home screen. If you are in the settings menus, touch the back button (arrow symbol) and then touch the close button (x symbol) to return to the home screen.

2. Select the wireless network menu.

Touch the menu button (three horizontal lines symbol), and then touch *Wi-Fi* to select the wireless network menu.

3. Enable Wi-Fi.

Make sure that Wi-Fi® is enabled. If it is not enabled, touch the *Wi-Fi* toggle to enable it.

4. Set up and manage a wireless network connection.

When Wi-Fi is enabled, the screen will show a list of available networks. Note: It may take a few moments for the list of wireless networks to appear.

Note: You must have your own wireless network and an 802.11b/g/n router with SSID broadcast enabled (hidden networks are not supported).

When a list of networks appears, touch the desired network. Note: You will need to know your network name (SSID). If your network has a password, you will also need to know the password.

Follow the prompts on the screen to enter your password and connect to the selected wireless network. (To use the keyboard, see HOW TO USE THE TOUCH SCREEN on page 11.)

When the tablet is connected to your wireless network, a checkmark will appear next to the wireless network name.

If you are having problems connecting to an encrypted network, make sure that your password is correct. Note: Passwords are case-sensitive.

Note: The tablet supports unsecured and secured (WEP, WPA™, and WPA2™) encryption. **A broadband connection is recommended; performance depends on connection speed.**

Note: If you have questions after following these instructions, go to support.iFit.com for assistance.

5. Exit the wireless network menu.

To exit the wireless network menu, touch the back button (arrow symbol).

HOW TO CONNECT YOUR HEADPHONES WITH BLUETOOTH

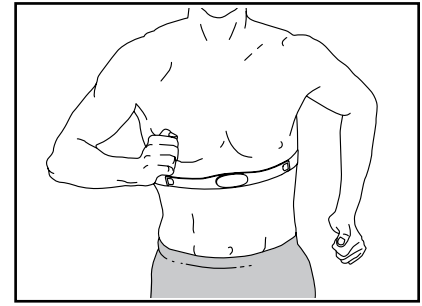
If the tablet is enabled with this feature, you can connect your Bluetooth-compatible headphones to listen to audio from the tablet through your headphones.

To connect your headphones to the tablet, first turn on your headphones and place them near the tablet. Next, select an iFit workout (see page 12). Then, touch *Connect Bluetooth Headphones* when this option appears on the screen.

To pair your headphones to the tablet, select your headphones from the list on the screen. When your headphones and the tablet pair successfully, the audio from the tablet will play through your headphones.

THE OPTIONAL HEART RATE MONITOR

Whether your goal is to burn fat or to strengthen your cardiovascular system, the key to achieving the best results is to maintain the proper heart rate during your



workouts. The optional heart rate monitor will enable you to continuously monitor your heart rate while you exercise, helping you to reach your personal fitness goals. **To purchase an optional heart rate monitor, please see the front cover of this manual.**

Note: The tablet is compatible with all Bluetooth Smart heart rate monitors.

MAINTENANCE AND TROUBLESHOOTING

MAINTENANCE

Regular maintenance is important for optimal performance and to reduce wear. Inspect and properly tighten all parts each time the fitness mirror is used. Replace any worn parts immediately. Use only manufacturer-supplied parts.

To clean the fitness mirror, use a damp cloth and a small amount of mild soap or glass cleaner.

IMPORTANT: To avoid damage to the fitness mirror, keep liquids away from the fitness mirror and keep the fitness mirror out of direct sunlight.

TABLET TROUBLESHOOTING

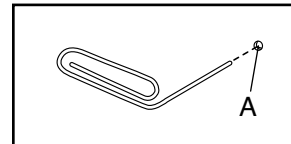
If the tablet does not turn on, make sure that the power adapter is fully plugged in and that the power switch is pressed on. **If a replacement power adapter is needed, call the telephone number on the cover of this manual. IMPORTANT: To avoid damaging the tablet, use only a manufacturer-supplied regulated power adapter.**

For the best results, regularly check for firmware updates (see step 6 on page 14).

If you are having problems connecting the tablet to a wireless network or if you are having problems with your iFit account or iFit workouts, go to support.iFit.com.

If the tablet does not boot up properly, or if the tablet freezes and does not respond, reset the tablet to the factory default settings.

IMPORTANT: Doing this will erase all custom settings you have made to the tablet. Resetting the tablet requires two people. First, press the power switch and unplug the power adapter. Next, locate the small reset opening (A) on the back of the tablet. Using a bent paper clip, press and hold the reset button inside the opening, and have a second person plug in the power adapter and press the power switch. Continue holding the reset button until the tablet turns on. When the reset operation is complete, the tablet will turn off and then turn back on. If it does not, unplug the power adapter and then plug it in again. Once the tablet turns on, check for firmware updates (see HOW TO CHANGE TABLET SETTINGS on page 14). Note: It may take a few moments for the tablet to be ready for use.



FCC INFORMATION

This equipment has been tested and found to comply with the limits for a Class B digital device, pursuant to part 15 of the FCC Rules. These limits are designed to provide reasonable protection against harmful interference in a residential installation. This equipment generates, uses, and can radiate radio frequency energy and, if not installed and used in accordance with the instructions, may cause harmful interference to radio communications. However, there is no guarantee that interference will not occur in a particular installation. If this equipment does cause harmful interference to radio or television reception, which can be determined by turning the equipment off and on, try to correct the interference by one or more of the following measures:

- Reorient or relocate the receiving antenna.
- Increase the separation between the equipment and the receiver.
- Connect the equipment into an outlet on a circuit different from that to which the receiver is connected.
- Consult the dealer or an experienced radio/TV technician for help.

FCC CAUTION: To assure continued compliance, use only shielded interface cables when connecting to computer or peripheral devices. Changes or modifications not expressly approved by the party responsible for compliance could void the user's authority to operate this equipment.

IMPORTANT: To satisfy exposure compliance requirements, the antenna and transmitter in the tablet must be at least 8 in. (20 cm) from all persons and must not be near or connected to any other antenna or transmitter.

Note: The tablet contains FCC ID: OMC420612.

EXERCISE GUIDELINES

⚠️ WARNING: Before beginning this or any exercise program, consult your physician. This is especially important for persons over age 35 or persons with pre-existing health problems.

These guidelines will help you to plan your exercise program. For detailed exercise information, obtain a reputable book or consult your physician. Remember, proper nutrition and adequate rest are essential for successful results.

EXERCISE INTENSITY

Whether your goal is to burn fat or to strengthen your cardiovascular system, exercising at the proper intensity is the key to achieving results. You can use your heart rate as a guide to find the proper intensity level. The chart below shows recommended heart rates for fat burning and aerobic exercise.

165	155	145	140	130	125	115	♥️
145	138	130	125	118	110	103	♥️
125	120	115	110	105	95	90	♥️
<hr/>							
20	30	40	50	60	70	80	

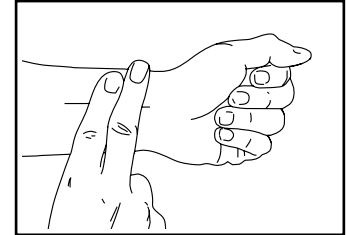
To find the proper intensity level, find your age at the bottom of the chart (ages are rounded off to the nearest ten years). The three numbers listed above your age define your “training zone.” The lowest number is the heart rate for fat burning, the middle number is the heart rate for maximum fat burning, and the highest number is the heart rate for aerobic exercise.

Burning Fat—To burn fat effectively, you must exercise at a low intensity level for a sustained period of time. During the first few minutes of exercise, your body uses carbohydrate calories for energy. Only after the first few minutes of exercise does your body begin to use stored fat calories for energy. If your goal is to burn fat, adjust the intensity of your exercise until your heart rate is near the lowest number in your training zone. For maximum fat burning, exercise with your heart rate near the middle number in your training zone.

Aerobic Exercise—If your goal is to strengthen your cardiovascular system, you must perform aerobic exercise, which is activity that requires large amounts of oxygen for prolonged periods of time. For aerobic exercise, adjust the intensity of your exercise until your heart rate is near the highest number in your training zone.

HOW TO MEASURE YOUR HEART RATE

To measure your heart rate, exercise for at least four minutes. Then, stop exercising and place two fingers on your wrist as shown. Take a six-second heartbeat count, and multiply the result by 10 to find your heart rate. For example, if your six-second heartbeat count is 14, your heart rate is 140 beats per minute.



WORKOUT GUIDELINES

Warming Up—Start with 5 to 10 minutes of stretching and light exercise. A warm-up increases your body temperature, heart rate, and circulation in preparation for exercise.

Training Zone Exercise—Exercise for 20 to 30 minutes with your heart rate in your training zone. (During the first few weeks of your exercise program, do not keep your heart rate in your training zone for longer than 20 minutes.) Breathe regularly and deeply as you exercise; never hold your breath.

Cooling Down—Finish with 5 to 10 minutes of stretching. Stretching increases the flexibility of your muscles and helps to prevent post-exercise problems.

EXERCISE FREQUENCY

To maintain or improve your condition, complete three workouts each week, with at least one day of rest between workouts. After a few months of regular exercise, you may complete up to five workouts each week, if desired. Remember, the key to success is to make exercise a regular and enjoyable part of your everyday life.

SUGGESTED STRETCHES

The correct form for several basic stretches is shown at the right. Move slowly as you stretch; never bounce.

1. Toe Touch Stretch

Stand with your knees bent slightly and slowly bend forward from your hips. Allow your back and shoulders to relax as you reach down toward your toes as far as possible. Hold for 15 counts, then relax. Repeat 3 times. Stretches: Hamstrings, back of knees and back.

2. Hamstring Stretch

Sit with one leg extended. Bring the sole of the opposite foot toward you and rest it against the inner thigh of your extended leg. Reach toward your toes as far as possible. Hold for 15 counts, then relax. Repeat 3 times for each leg. Stretches: Hamstrings, lower back and groin.

3. Calf/Achilles Stretch

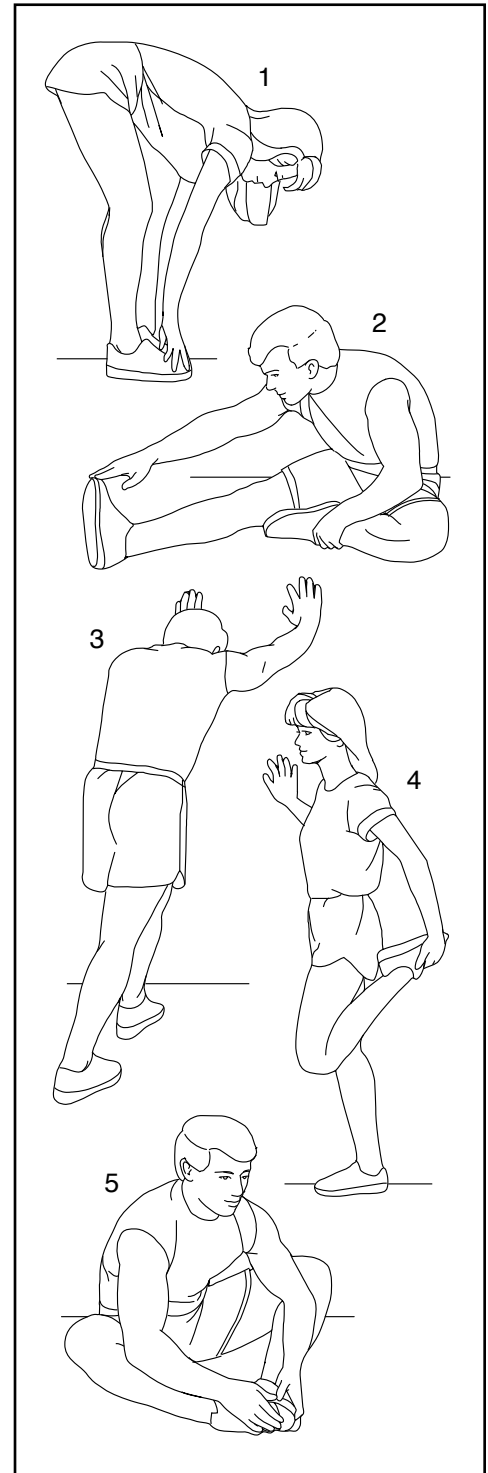
With one leg in front of the other, reach forward and place your hands against a wall. Keep your back leg straight and your back foot flat on the floor. Bend your front leg, lean forward and move your hips toward the wall. Hold for 15 counts, then relax. Repeat 3 times for each leg. To cause further stretching of the achilles tendons, bend your back leg as well. Stretches: Calves, achilles tendons and ankles.

4. Quadriceps Stretch

With one hand against a wall for balance, reach back and grasp one foot with your other hand. Bring your heel as close to your buttocks as possible. Hold for 15 counts, then relax. Repeat 3 times for each leg. Stretches: Quadriceps and hip muscles.

5. Inner Thigh Stretch

Sit with the soles of your feet together and your knees outward. Pull your feet toward your groin area as far as possible. Hold for 15 counts, then relax. Repeat 3 times. Stretches: Quadriceps and hip muscles.



NOTES

PART LIST

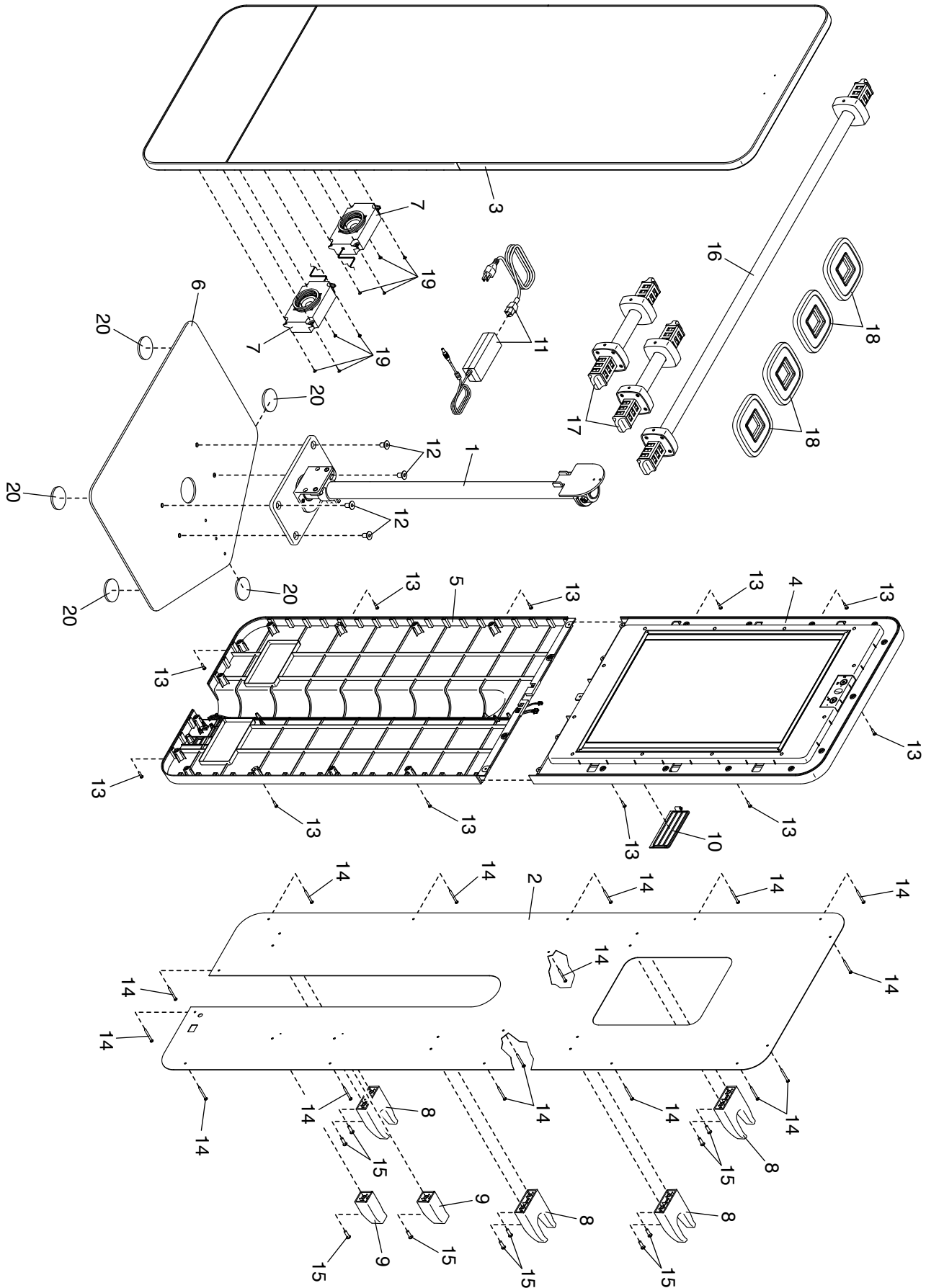
Model No. PFB14820.0 R0421A

Key No.	Qty.	Description	Key No.	Qty.	Description
1	1	Pivot Assembly	12	4	M10 x 20mm Screw
2	1	Back Cover	13	11	M4 x 16mm Screw
3	1	Mirror Assembly	14	16	M4 x 44mm Screw
4	1	Tablet Assembly	15	10	M4 x 12mm Screw
5	1	Lower Cover	16	1	Barbell
6	1	Base	17	2	Dumbbell
7	2	Speaker Assembly	18	4	Weight Plate
8	4	Equipment Hook	19	8	Speaker Screw
9	2	Weight Plate Hook	20	5	Foot
10	1	Access Cover	*	–	Manual
11	1	Power Adapter			

Note: Specifications are subject to change without notice. For information about ordering replacement parts, see the back cover of this manual. *These parts are not illustrated.

EXPLODED DRAWING

Model No. PFB14820.0 R0421A



ORDERING REPLACEMENT PARTS

To order replacement parts, please see the front cover of this manual. To help us assist you, be prepared to provide the following information when contacting us:

- the model number and serial number of the product (see the front cover of this manual)
- the name of the product (see the front cover of this manual)
- the key number and description of the replacement part(s) (see the PART LIST and the EXPLODED DRAWING near the end of this manual)

LIMITED WARRANTY

IMPORTANT: To protect your fitness equipment with an extended service plan, see page 4.

ICON Health & Fitness, Inc. (ICON) warrants this product to be free from defects in workmanship and material, under normal use and service conditions. The frame is warranted for two (2) years from the date of purchase. Parts and labor are warranted for one (1) year from the date of purchase.

This warranty extends only to the original purchaser (customer) and is not transferrable. ICON's obligation under this warranty is limited to repairing or replacing, at ICON's discretion, the product through one of its authorized service providers. All repairs for which warranty claims are made must be preauthorized by ICON. If replacement parts are shipped while the product is under warranty, the customer will be responsible for a minimal handling charge. For in-home service, the customer may be responsible for a minimal trip charge. This warranty does not extend to freight damage to the product. This warranty will automatically be voided by the following conditions: (1) if the product is used as a store display model, (2) if the product is purchased or transported outside the USA, (3) if any instruction or warning in this manual is not followed, (4) if the product is abused or improperly or abnormally used, (5) if the product is modified to alter functionality or capability without the written permission of ICON, or (6) if the product is used for commercial or rental purposes. No other warranty beyond that specifically set forth above is authorized by ICON.

ICON is not responsible or liable for the following damages: (1) indirect, special, or consequential damages arising out of or in connection with the use or performance of the product; (2) damages with respect to any economic loss, loss of property, loss of revenues or profits, loss of enjoyment or use, or costs of removal or installation; or (3) other consequential damages of any kind. Some states do not allow the exclusion or limitation of incidental or consequential damages. Accordingly, the above limitation may not apply to the customer.

The warranty extended hereunder is in lieu of any and all other warranties, and any implied warranties of merchantability or fitness for a particular purpose are limited in their scope and duration to the terms set forth herein. Some states do not allow limitations on how long an implied warranty lasts. Accordingly, the above limitation may not apply to the customer. This warranty provides specific legal rights; the customer may have other rights that vary from state to state.

For warranty service, please call the telephone number on the front cover of this manual. Please be prepared to provide the model number and serial number of the product (see the front cover of this manual).

ICON Health & Fitness, Inc., 1500 S. 1000 W., Logan, UT 84321-9813