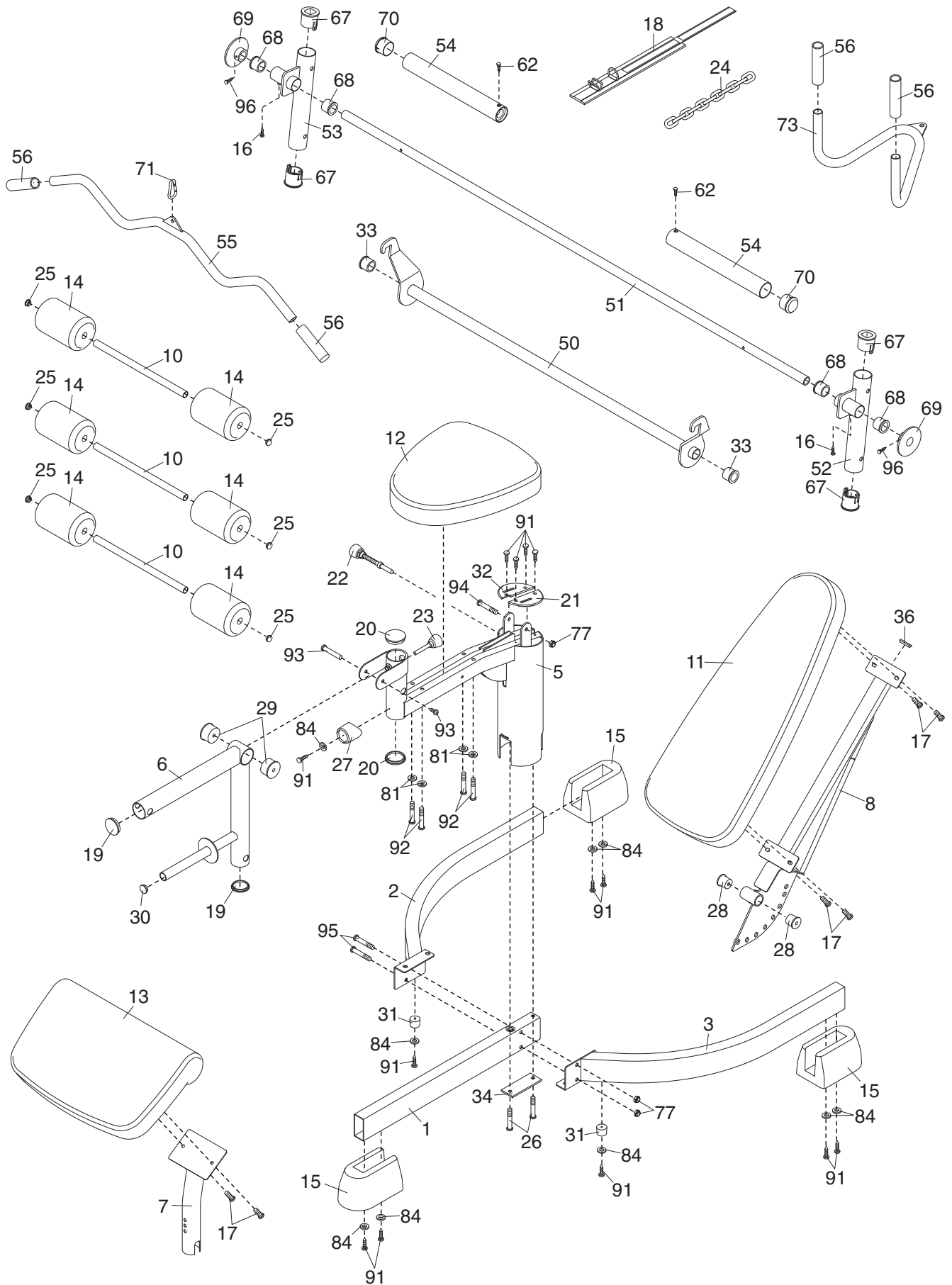


EXPLODED DRAWING—Model No. PFBE3006.0

R0706A



EXPLODED DRAWING—Model No. PFBE3006.0

R0706A

