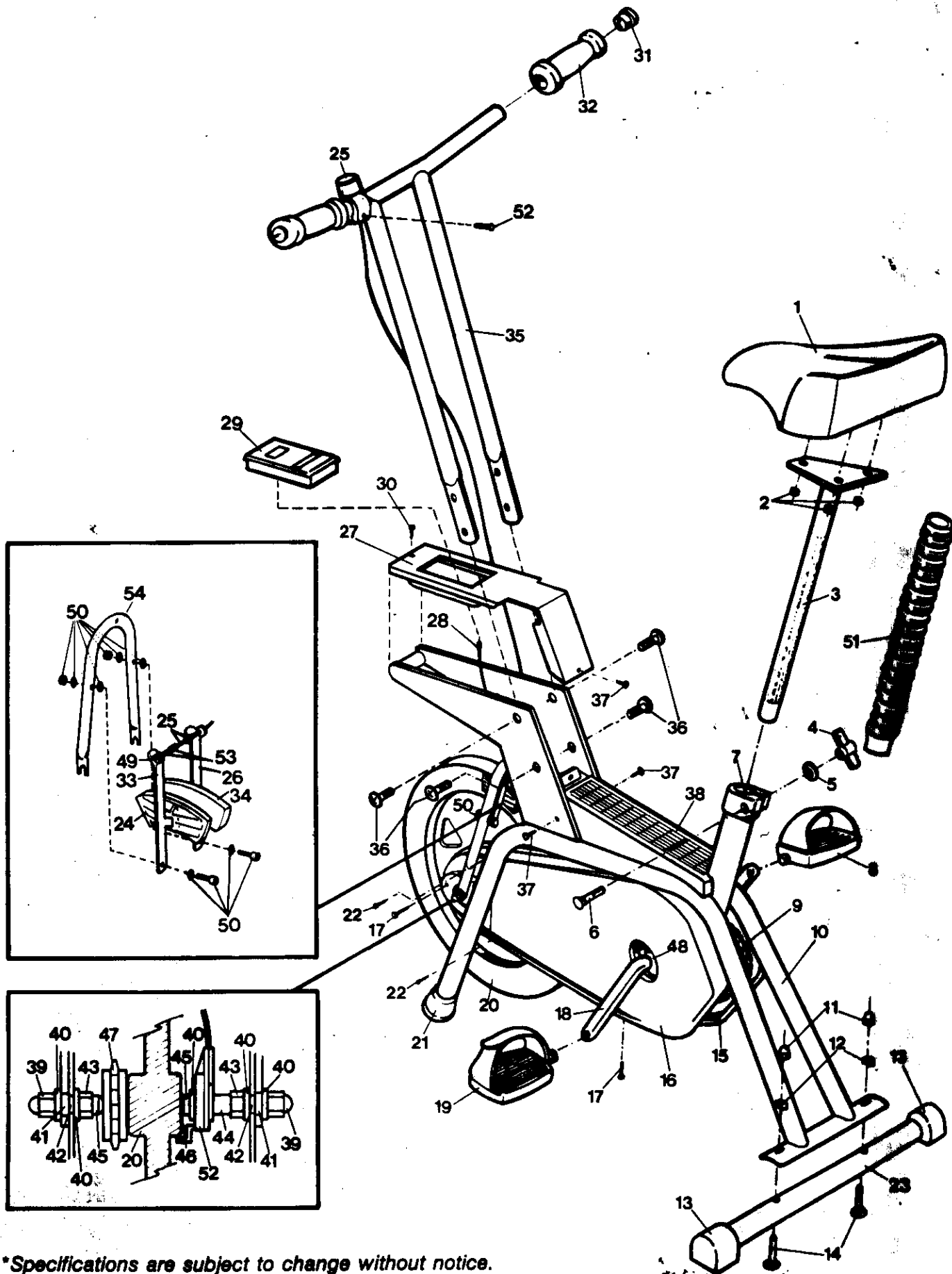


EXPLODED DRAWING - Model No. PFC40

REV. 3/80



MODEL NUMBER: PFC40
VERSION: 00
PRODUCT NAME: PFC40
PRODUCT DESC:

MODEL/PART BOOK LISTING

PAGE 1

INI023P1

RUN DATE: 10/10/96
RUN TIME: 13:50:10

KEY NUMBER	PART NUMBER	DESCRIPTION	QUANTITY
1	042023	SEAT	1
2	012002	SEAT MOUNTING NUT	3
3	NLA	SEAT POST	1
4	017001	T-WINGNUT KNOB	1
5	014073	T-WINGNUT WASHER	1
6	013137	CARRIAGE BOLT	1
7	016001	ALUMINUM CLAMP	1
8	038006	RIGHT PEDAL W/STRAP	1
9	025002	CHAIN	1
10	NSP	FRAME	1
11	012120	ACORN NUT	2
12	014100	MOLDED WASHER	2
13	040006	LEG CAP	2
14	013092	CARRIAGE BOLT	2
15	NLA	RIGHT CHAIN GUARD SET	1
16	010121	LEFT CHAIN GUARD SET	1
17	013408	CHAIN GUARD BOLT	4
18	070516	CRANK HARDWARE	1
.	.	012012	1
.	.	014009	1
.	.	012010	1
.	.	024011	1
.	.	023018	1
.	.	014008	1
.	.	018001	2
.	.	012011	1
19	038005	LEFT PEDAL W/STRAP	1
20	021033	FLYWHEEL	1
21	040001	FRONT LEG CAP	2
22	013141	SMALL CHAIN GUARD SCREW	4
23	006114	REAR STABILIZER BAR	1
24	036002	LEFT BRAKE PAD	1
25	NLA	RESISTANCE CONTROL/CABLE	1
26	072003	RIGHT CONTROL BAR	1
27	NLA	CONSOLE HOOD	1
28	NLA	MONITOR WIRE W/DRIVE	1
29	032074	ELECTRONIC MONITOR	1
30	013397	CONSOLE HOOD SCREW	1
31	040004	HANDLEBAR ENDCAP	2
32	041001	HANDGRIP	2
33	NLA	LEFT CONTROL BAR	1
34	036001	RIGHT BRAKE PAD	1
35	NLA	HANDLEBAR	1
36	013372	HANDLEBAR BOLT	4
37	013141	HOOD SCREW	3
38	009120	PLASTIC HOOD	1
39	012048	AXLE ACORN NUT	2
40	014061	WASHER	5
41	NLA	THIN SPACER	2
42	049006	AXLE	1
43	012031	AXLE NUT	2
44	019001	THICK SPACER	1
45	014104	BEVELED AXLE WASHER	2
46	102356	FLYWHEEL BEARING	2

MODEL NUMBER: PFC40
VERSION: 00
PRODUCT NAME: PFC40
PRODUCT DESC:

MODEL/PART BOOK LISTING

PAGE 2
INI023P1

RUN DATE: 10/10/96
RUN TIME: 13:50:10

KEY NUMBER	PART NUMBER	DESCRIPTION	QUANTITY
47	024001	FREEWHEEL SPROCKET	1
48	018001	CRANK BEARING	2
49	.	SEE #53	0
50	070054	HARDWARE SET	2
	.	013018 BOLT	1
	.	014003 WASHER	2
	.	019007 SPACER	1
51	010183	BELLOWS	1
52	033049	SENSOR DRIVE	1
53	013019	HOLLOW BOLT ASSEMBLY	1
54	008295	BRAKE BRACKET	1
#	013301	BRAKE BRACKET BOLT	1
#	045004	TOOL	1
#	NLA	BAND FOR FLYWHEEL	1
#	089018	MONITOR OPERATION GUIDE	1
#	046184	OWNERS MANUAL	1