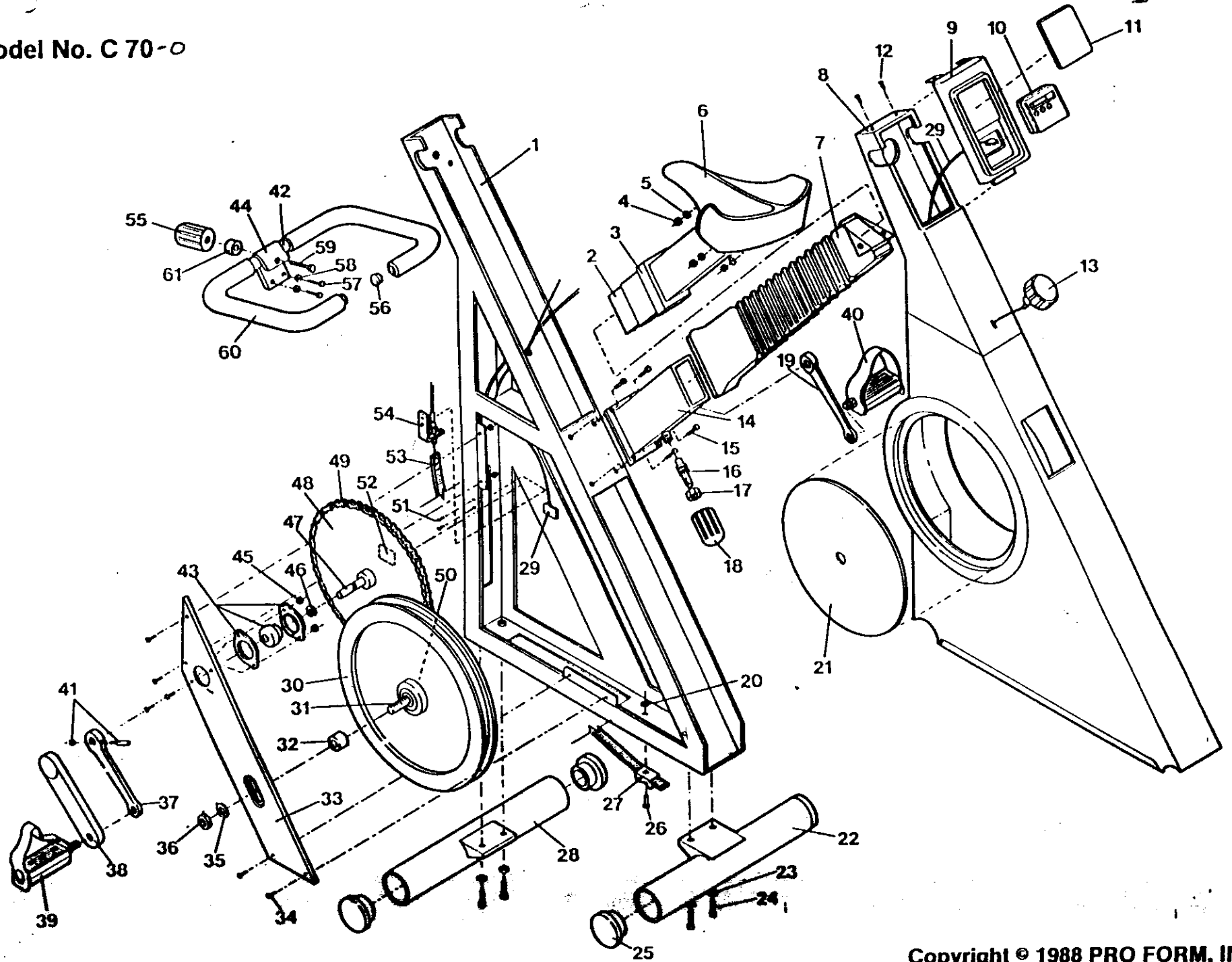


Model No. C 70-0



MODEL NUMBER: PFC70
VERSION: 00
PRODUCT NAME: PROFORM C70
PRODUCT DESC: BIKE

MODEL/PART BOOK LISTING

PAGE
INI023
RUN DATE: 4/07/9
RUN TIME: 9:40:0

KEY NUMBER	PART NUMBER	DESCRIPTION	QUANTIT
1	NSP	FRAME	1
2	007032	SEAT POST	1
3	.	ON #14	0
4	012002	SEAT NUT	3
5	.	NOT USED	0
6	042005	SEAT	1
7	040096	RUBBER BELLOWS	1
8	010086	BODY	1
9	008175	FACIA	1
10	032075	ELECTRONIC CONSOLE	1
11	044273	FACE PLATE W/DECAL	1
12	013162	FACIA SCREW	2
13	072020	RESISTANCE CONTROL	1
14	007031	SEAT POST BASE	1
15	013470	SEAT POST BOLT	4
16	.	ON #18	0
17	.	ON #18	0
18	017044	SEAT ADJUSTMENT KNOB	1
19	NLA	RIGHT CRANK ARM	1
20	.	ON FRAME	1
21	010095	CRANK COVER	2
22	005016	REAR LEG	1
23	014066	LOCK WASHER	4
24	013470	LEG BOLT	4
25	040144	LEG CAP	4
26	013333	BOLT	1
27	050001	TENSION BUCKLE	1
28	005015	FRONT LEG	1
29	033100	REED WIRE	1
30	021012	FLYWHEEL	1
31	NLA	FLYWHEEL SHAFT	1
32	019146	SPACER	2
33	061024	SUPPORT PLATE	1
34	013333	SUPPORT PLATE BOLT	6
35	014087	WASHER	2
36	012031	AXLE NUT	2
37	023017	LEFT CRANK ARM	1
38	040104	CRANK ARM COVER	2
39	033023	LEFT PEDAL	1
40	033022	RIGHT PEDAL	1
41	015033	CRANK PIN ASSEMBLY	2
42	001021	HANDLEBAR	1
43	NLA	BEARING ASSEMBLY	2
44	016021	HANDLEBAR CLAMP	1
45	012096	BEARING ASSEMBLY NUT	4
46	054008	C-CLIP	2
47	049056	CRANK AXLE	1
48	024010	SPROCKET	1
49	025027	CHAIN	1
50	024007	FREEWHEEL ASSEMBLY	1
51	013332	BRACKET BOLT	2
52	033001	MAGNET	1
53	035023	TENSION STRAP	1
54	008114	TENSION CABLE BRACKET	1

MODEL NUMBER: PFC70
VERSION: 00
PRODUCT NAME: PROFORM C70
PRODUCT DESC: BIKE

MODEL/PART BOOK LISTING

PAGE 2

INI023P

RUN DATE: 4/07/95

RUN TIME: 9:40:03

KEY NUMBER	PART NUMBER	DESCRIPTION	QUANTITY
55	017044	HANDLEBAR LOCK KNOB	1
56	040119	HANDLEBAR ENDCAP	2
57	013332	HANDLEBAR BOLT	2
58	014066	HANDLEBAR MOUNTING WASHER	2
59	013330	CARRIAGE BOLT	1
60	041029	FOAM GRIP	2
61	019146	SPACER	1
#	044162	RESISTANCE DECAL	1
#	044159	BODY DECAL	2
#	044483	ELECT. ERGOMETER DECAL	2
#	102356	FLYWHEEL BEARING	2
#	089002	MONITOR OPERATION GUIDE	1
#	046062	OWNERS MANUAL	1
.	.	LITERATURE PACKET	1
.	.	046062 OWNERS MANUAL	1
.	.	089002 MON. OPER. GUIDE	1
.	.	013332 HANDLEBAR BOLT	2
.	.	014066 HANDLEBAR WASHER	2
.	.	013330 CARRIAGE BOLT	1
.	.	019146 SPACER	1
.	.	017074 HANDLEBAR KNOB	1
.	.	013470 LEG BOLT	4
.	.	014066 LEG WASHER	4