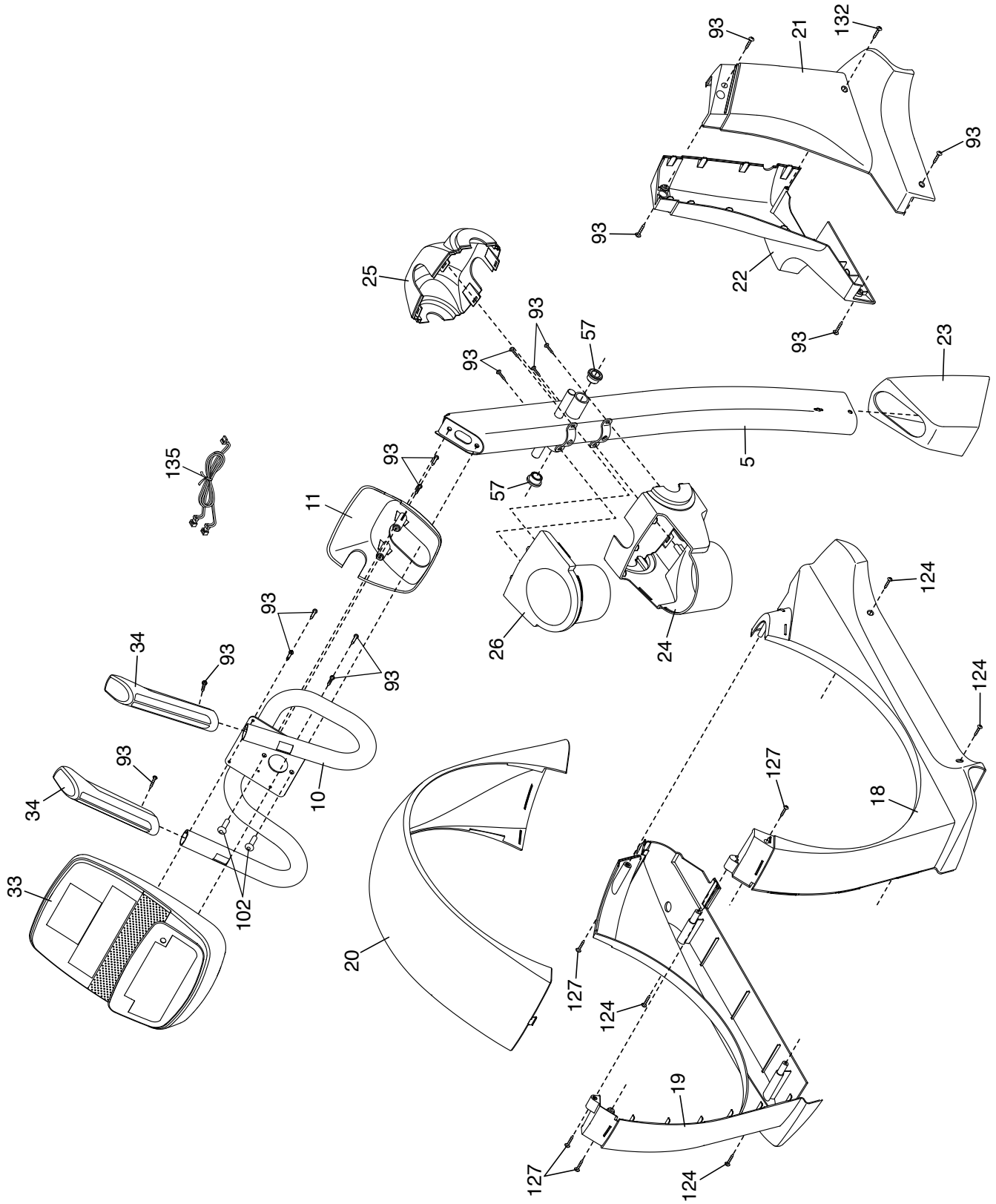


EXPLODED DRAWING A

Model No. PFCCEL05912.1 R0512A



EXPLODED DRAWING C

Model No. PFCCEL05912.1 R0512A

