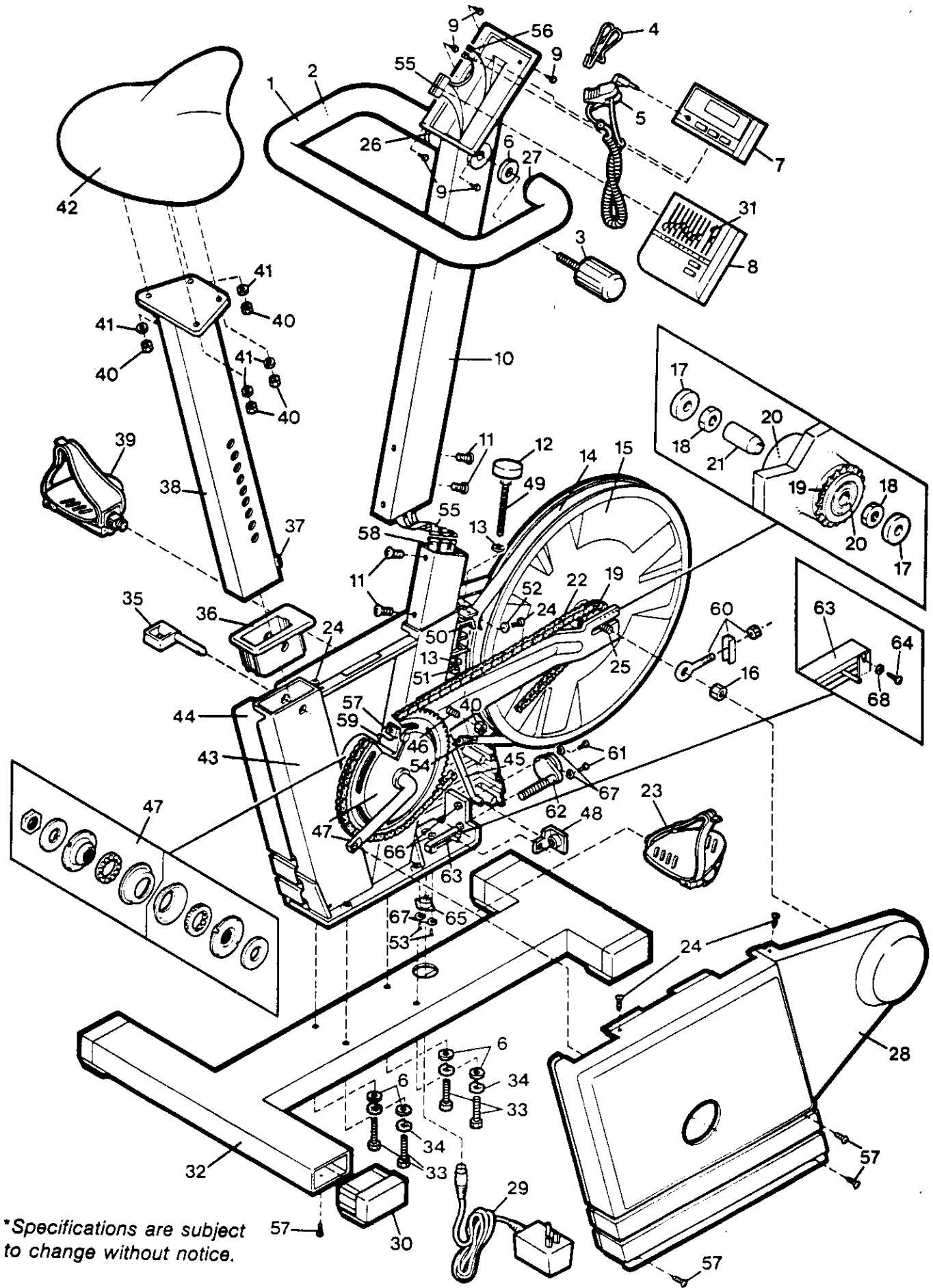


EXPLODED DRAWING - Model No. PFCEP

Rev. 1/90



*Specifications are subject to change without notice.

MODEL NUMBER: PFCEP
 VERSION: 00
 PRODUCT NAME: PROFORM EQUALIZER
 PRODUCT DESC: PROGRAMMABLE RESISTANCE

MODEL/PART BOOK LISTING

PAGE 1
 INI023P1
 RUN DATE: 9/15/92
 RUN TIME: 9:39:30

KEY NUMBER	PART NUMBER	DESCRIPTION	QUANTITY
1	041081	FOAM GRIP	1
2	100499	HANDLEBAR W/FOAM GRIP	1
	.	001082 HANDLEBAR	1
	.	041081 FOAM GRIP	1
3	017113	HANDLEBAR LOCK KNOB	1
4	054013	CLOTHES CLIP	1
5	101508	PULSE MONITOR CLIP	1
6	014017	WASHER	5
7	032101	ELECTRONIC MONITOR	1
8	.	PROGRAMMABLE CONSOLE	1
	.	(SEE PAGE 9)	0
9	100244	MOUNTING SCREW	5
	.	(NOTE: THERE IS A MTG.	0
	.	SPACER THAT IS USED IN	0
	.	THIS LOCACTION. IF	0
	.	REQUESTED, THEN ONLY ONE	0
	.	SPACER IS NECESSARY	0
	.	HAVING PART NUMBER	0
	.	100215.)	0
10	007131	HANDLEBAR POST	1
11	121501	HANDLEBAR POST BOLT	4
12	017114	RANGE ADJUSTMENT KNOB	1
13	014003	RANGE ADJUSTMENT WASHER	2
14	100894	TENSION STRAP	1
15	021055	FLYWHEEL	1
16	012032	AXLE NUT	2
17	.	NOT USED	0
	.	(IF NEEDED, USE 014015)	0
18	012031	THIN AXLE NUT	2
19	024007	FREEWHEEL SPROCKET	1
20	102356	FLYWHEEL BEARING	2
	.	(MUST BE PRESSED INTO	0
	.	THE FLYWHEEL)	0
21	019341	AXLE SPACER	1
22	025075	CHAIN	1
23	038022	RIGHT PEDAL	1
24	013599	SCREW	5
25	049111	AXLE	1
26	019342	HANDLEBAR BUSHING	1
27	040224	HANDLEBAR ENDCAP	1
28	010211	RIGHT SIDESHIELD	1
29	031151	POWER CORD	1
30	040225	BASE ENDCAP	4
31	017094	SPEED/TIME KNOB	10
32	100267	BASE	1
	.	DOES YOUR UNIT HAVE A	0
	.	ONE-PIECE OR TWO-PIECE	0
	.	BASE?	0
	.	IF IT IS A ONE-PIECE BASE	0
	.	THEN 004243 IS THE	0
	.	CORRECT PART NUMBER. IF	0
	.	IT IS A TWO-PIECE BASE,	0
	.	THEN 100267 IS THE PART	0
	.	NUMBER FOR THE ASSEMBLY	0

MODEL NUMBER: PFCEP
 VERSION: 00
 PRODUCT NAME: PROFORM EQUALIZER
 PRODUCT DESC: PROGRAMMABLE RESISTANCE

MODEL/PART BOOK LISTING

RUN DATE: 9/15/92

RUN TIME: 9:39:30

KEY NUMBER	PART NUMBER	DESCRIPTION	QUANTITY
.	.	WHICH INCLUDES THE LARGE	0
.	.	PIECE 100268, THE SMALL	0
.	.	PIECE 100269, AND THE	0
.	.	4 SCREWS 100411. IT	0
.	.	SHOULD BE NOTED THAT	0
.	.	004243 AND 100267 ARE	0
.	.	COMPLETELY INTERCHANGE-	0
.	.	ABLE, AND 004243 MAY NOT	0
.	.	BE AVAILABLE FOR REPLACE-	0
.	.	MENT. IN THIS CASE, A	0
.	.	TWO-PIECE ASSEMBLY WILL	0
.	.	BE SENT.	0
33	013128	BASE BOLT	4
34	014066	BASE LOCK WASHER	4
35	015076	SEAT PIN	1
36	019343	SEAT POST BUSHING	1
37	100127	SEAT POST GUIDE	1
38	007132	SEAT POST	1
39	038023	LEFT PEDAL	1
40	012002	LOCKNUT	5
41	.	NOT USED	0
.	.	(IF NEEDED, USE 014041.)	0
42	042049	SEAT	1
43	NSP	FRAME	1
44	010212	LEFT SIDESHIELD	1
45	072059	TENSION LEVER ROD	1
46	013598	LEVER ASSEMBLY BOLT	1
47	070905	CRANK/SPROCKET ASSEMBLY	1
.	.	100245 SPROCKET	1
.	.	023018 CRANK	1
.	.	018001 BEARING	2
.	.	014008 FLAT WASHER	1
.	.	014009 KEY WASHER	1
.	.	012010 CRANK NUT	1
.	.	012011 CRANK NUT	1
.	.	012012 OUTER NUT	1
.	.	033066 MAGNET	1
.	.	019003 BEARING CUP	1
.	.	106881 CONSUMER NOTICE	1
48	008302	LEVER SLIDE BRACKET	1
49	049112	RANGE ADJUSTMENT SHAFT	1
50	008303	RANGE ADJUSTMENT BRACKET	1
51	012022	RANGE ADJUSTMENT LOCKNUT	1
52	014128	STRAP WASHER	1
53	013509	POWER SOCKET MTG. SCREW	2
54	058001	STRAP SPRING	1
55	031250	UPPER WIRE HARNESS	1
56	033217	UPPER SENSOR WIRE	1
57	013141	SELF TAPPING SCREW	8
.	.	(NOTE: THE REED SWITCH IS	0
.	.	INCORRECTLY IDENTIFIED AS	0
.	.	BEING MOUNTED WITH A	0
.	.	SCREW. IT IS MOUNTED WITH	0
.	.	DOUBLE STICK TAPE 062011)	0

MODEL NUMBER: PFCEP
 VERSION: 00
 PRODUCT NAME: PROFORM EQUALIZER
 PRODUCT DESC: PROGRAMMABLE RESISTANCE

MODEL/PART BOOK LISTING

RUN DATE: 9/15/92

RUN TIME: 9:39:30

KEY NUMBER	PART NUMBER	DESCRIPTION	QUANTITY
58	.	LOWER WIRE HARNESS	1
	.	SEE PAGE 9	0
59	033218	SENSOR WIRE/REED SWITCH	1
60	100126	CHAIN ADJ. BOLT ASSEMBLY	2
	.	008054 EYEBOLT	1
	.	100128 BRACKET	1
	.	012006 NUT	1
61	120005	MOTOR MOUNTING SCREW	2
62	030061	TENSION MOTOR W/SHAFT	1
63	.	SLIDE POTENTIOMETER	1
	.	SEE PAGE 9	1
64	120006	POTENTIOMETER MTG. SCREW	2
65	031152	POWER SOCKET	1
66	012100	HEX NUT	2
67	014027	LOCK WASHER	2
	.	(NOTE: TWO WASHERS ARE	0
	.	INCORRECTLY IDENTIFIED AS	0
	.	BEING USED ON THE POWER	0
	.	SOCKET MOUNTING, THEY ARE	0
	.	NOT USED. ONLY THE TWO	0
	.	FOR MOTOR MTG. ARE USED.)	0
68	121001	POTENTIOMETER MTG. WASHER	2
#	044723	SIDESHIELD DECAL	2
#	044724	TENSION KNOB DECAL	1
#	045021	ALLEN WRENCH	1
#	046329	OWNERS MANUAL	1
	092029	LITERATURE PACKET	1
	.	046329 OWNERS MANUAL	1
	.	045021 ALLEN WRENCH	1