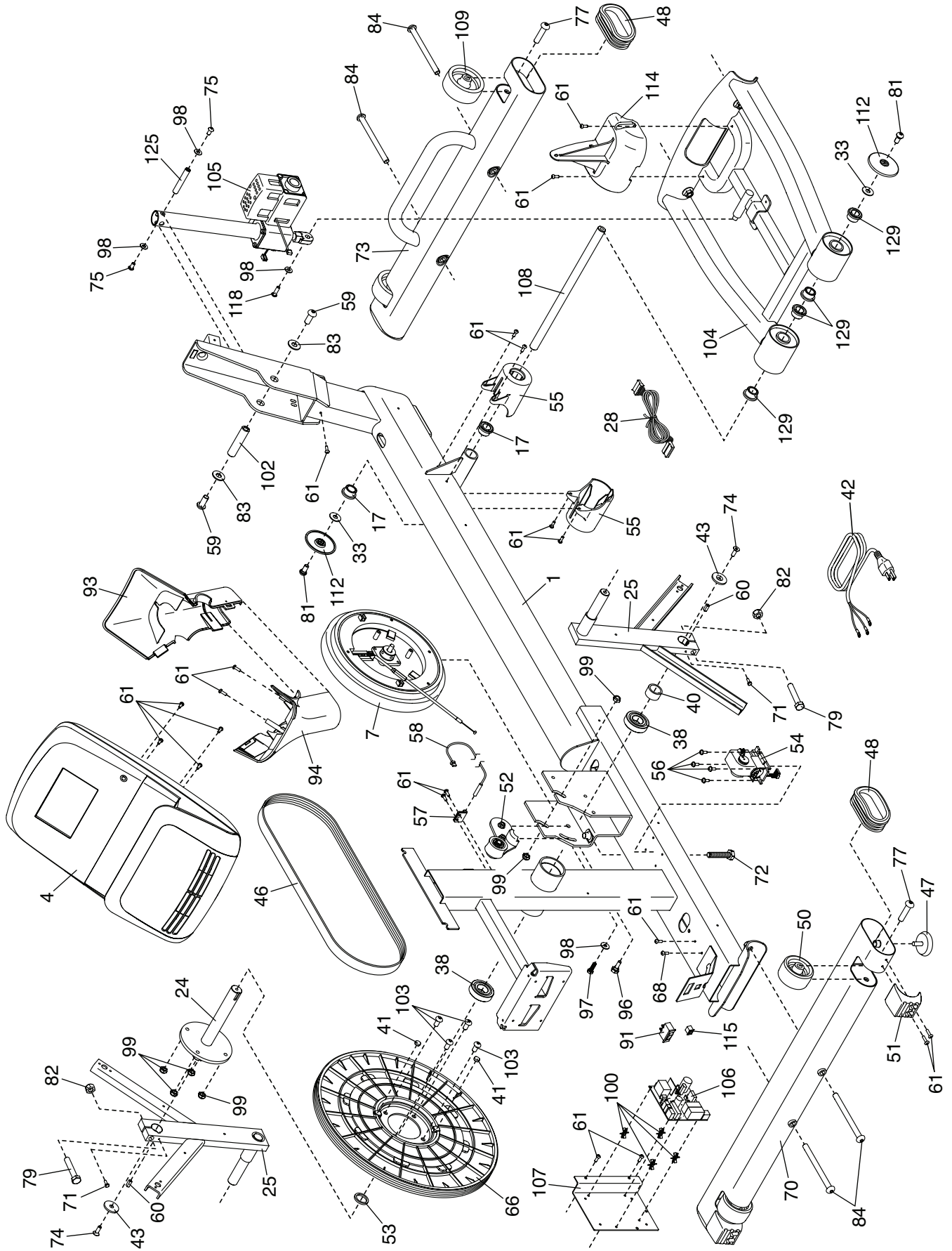


EXPLODED DRAWING A

Model No. PFEL01014.0 R0714A



EXPLODED DRAWING C

Model No. PFEL01014.0 R0714A

