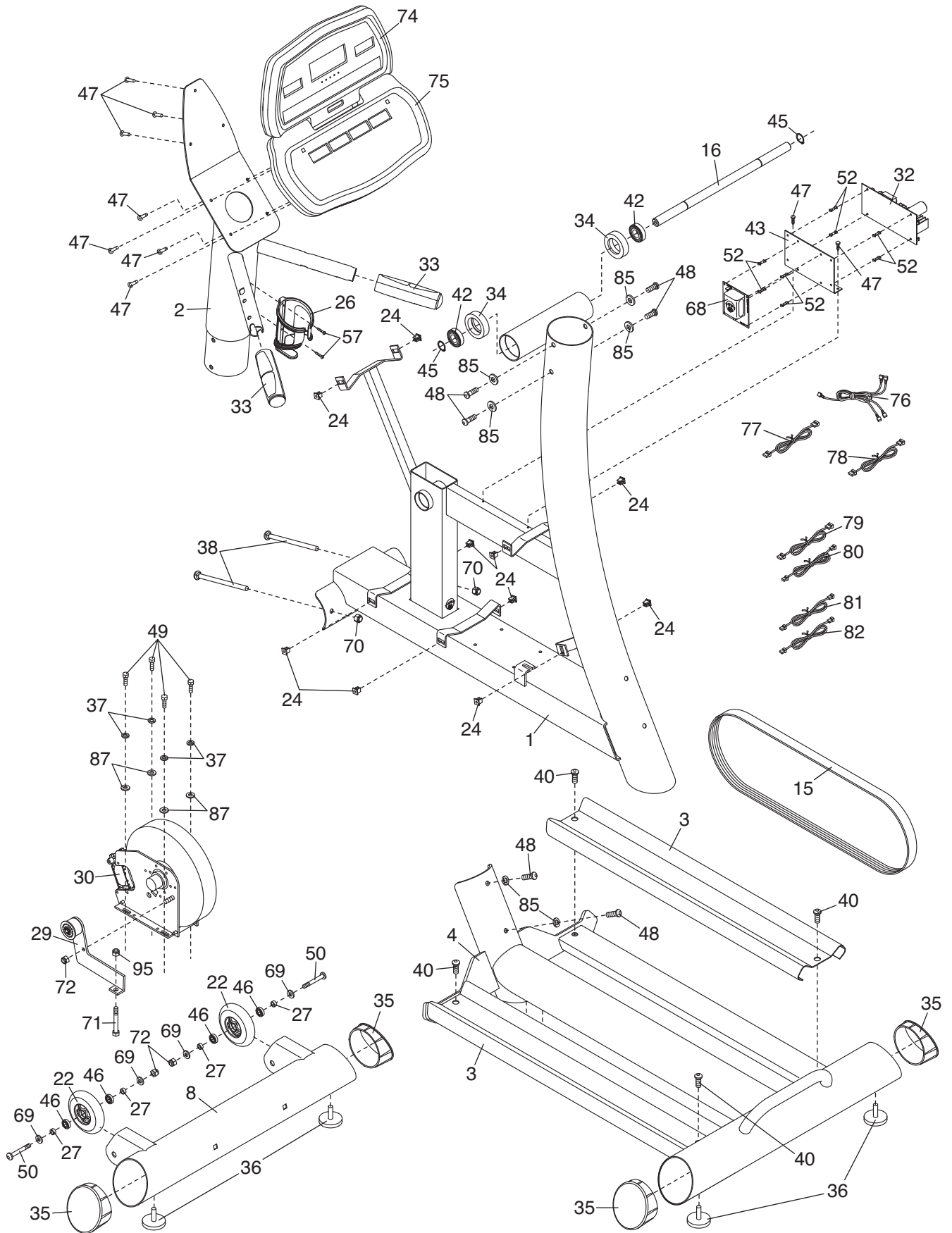


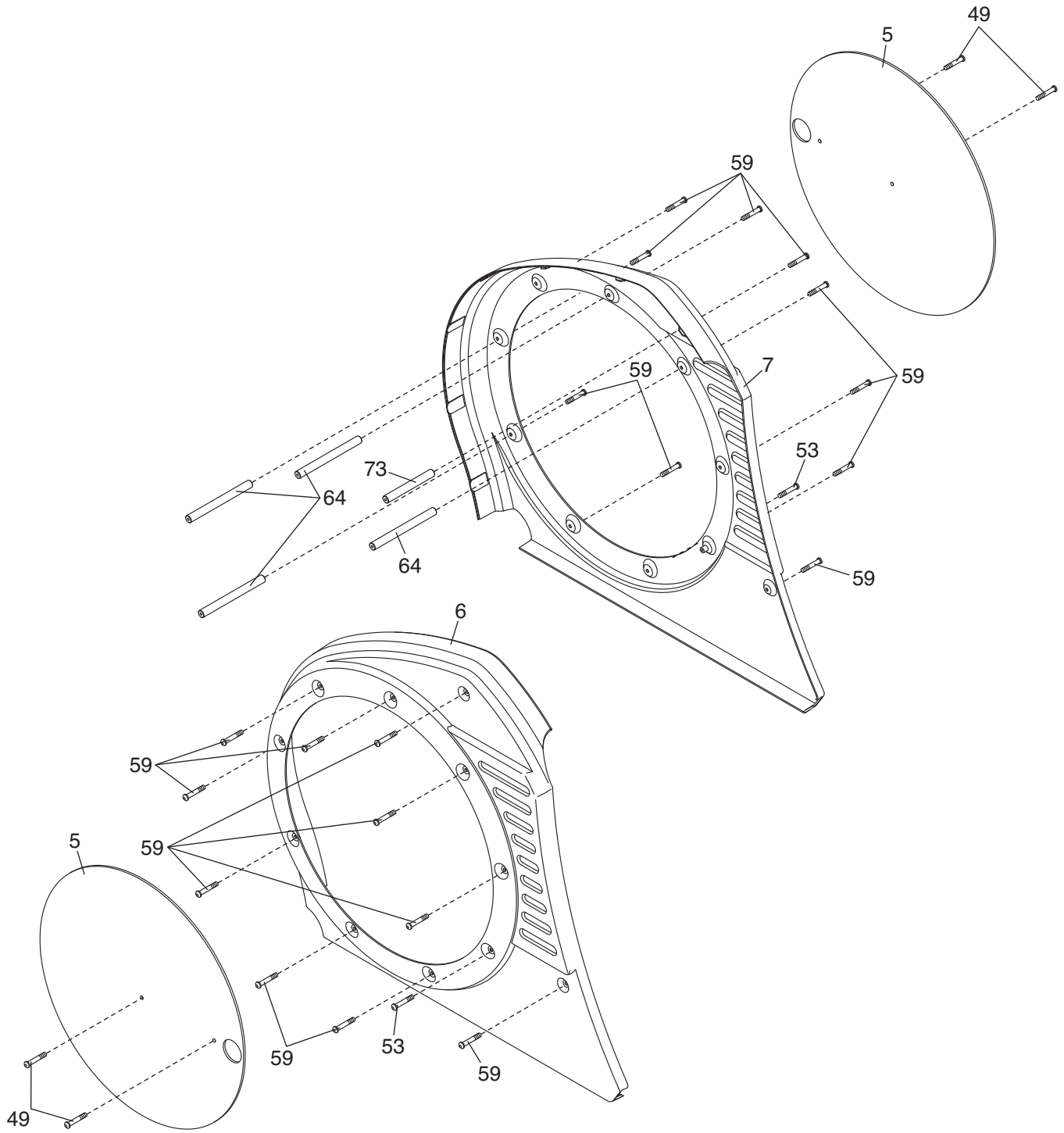
EXPLODED DRAWING A—Model No. PFEL01210.0

R1110A



EXPLODED DRAWING B—Model No. PFEL01210.0

R1110A



EXPLODED DRAWING C—Model No. PFEL01210.0

R1110A

