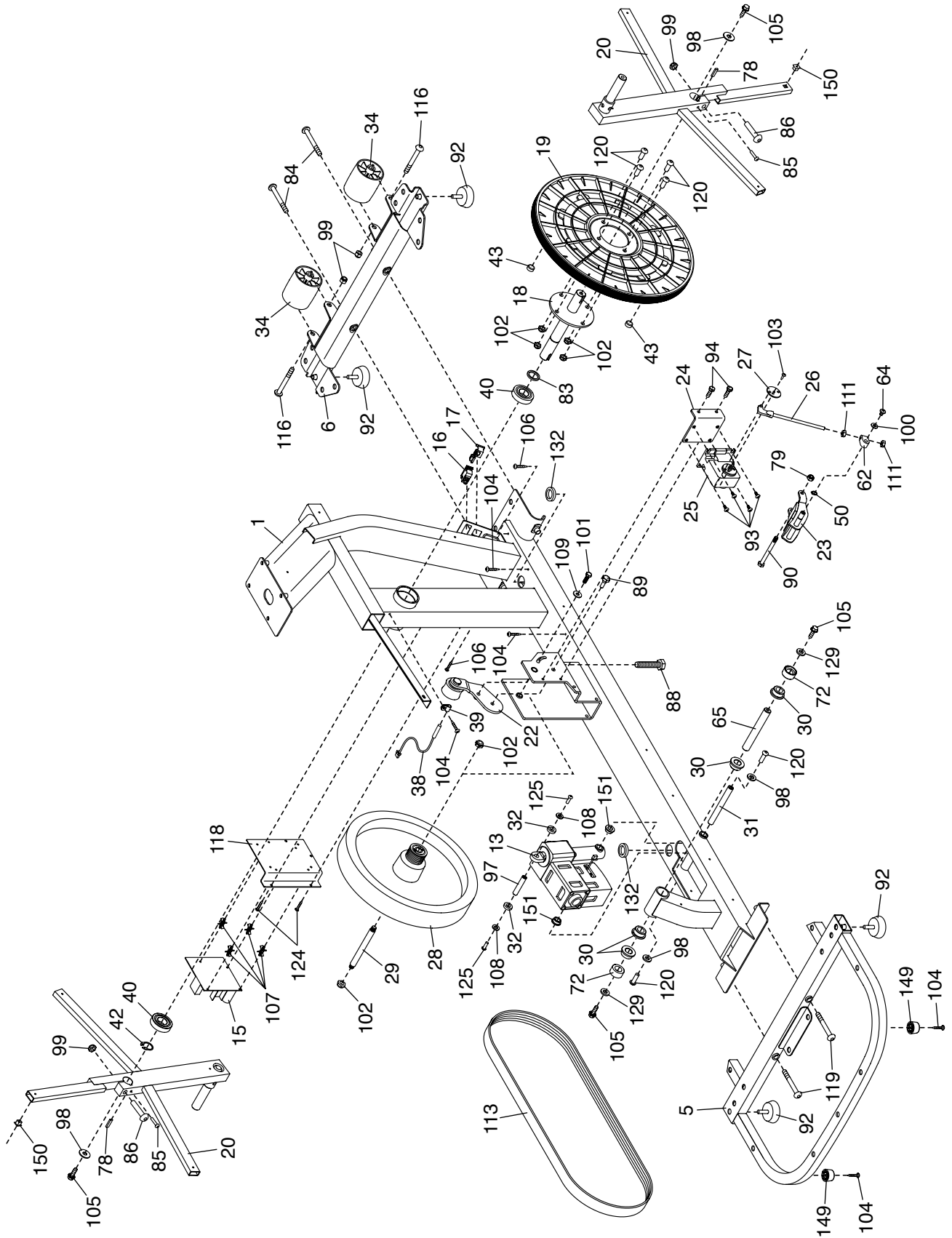




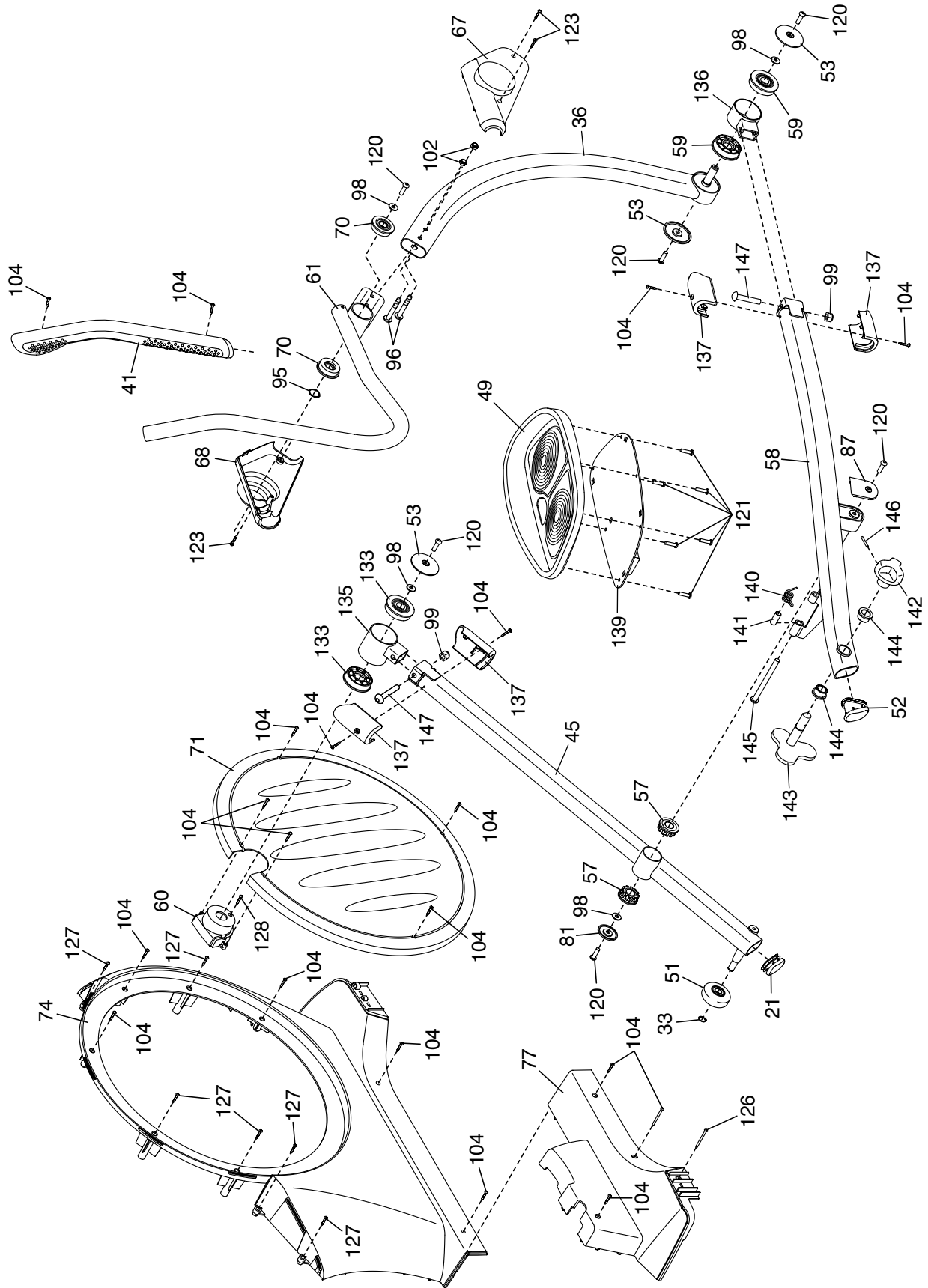
# EXPLODED DRAWING B

Model No. PFEL01211.1 R0112A



# EXPLODED DRAWING C

Model No. PFEL01211.1 R0112A



# EXPLODED DRAWING D

Model No. PFEL01211.1 R0112A

