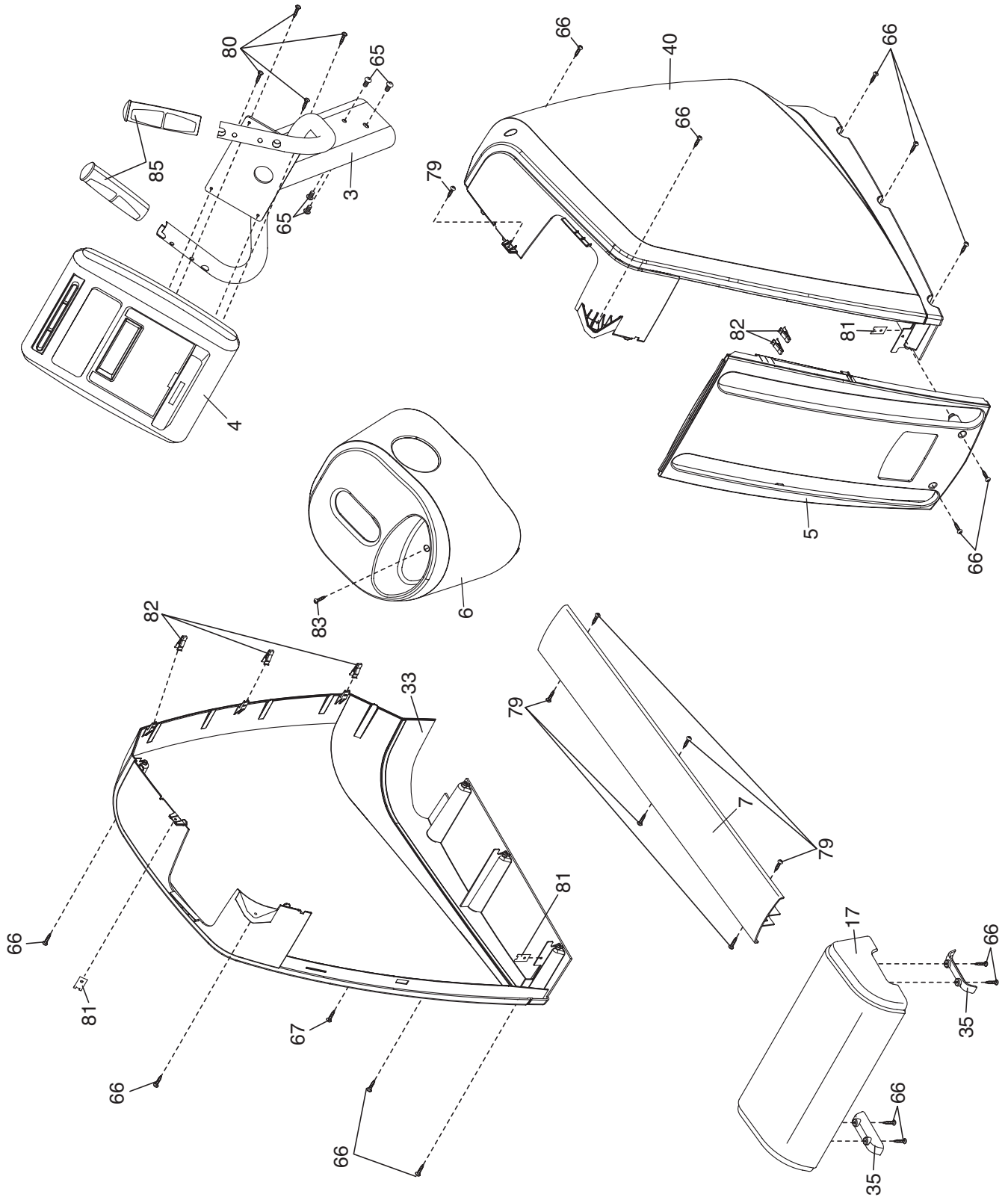


# EXPLODED DRAWING A—Model No. PFEL01307.1

R0408A



# EXPLODED DRAWING B – Model No. PFEL01307.1

R0408A

