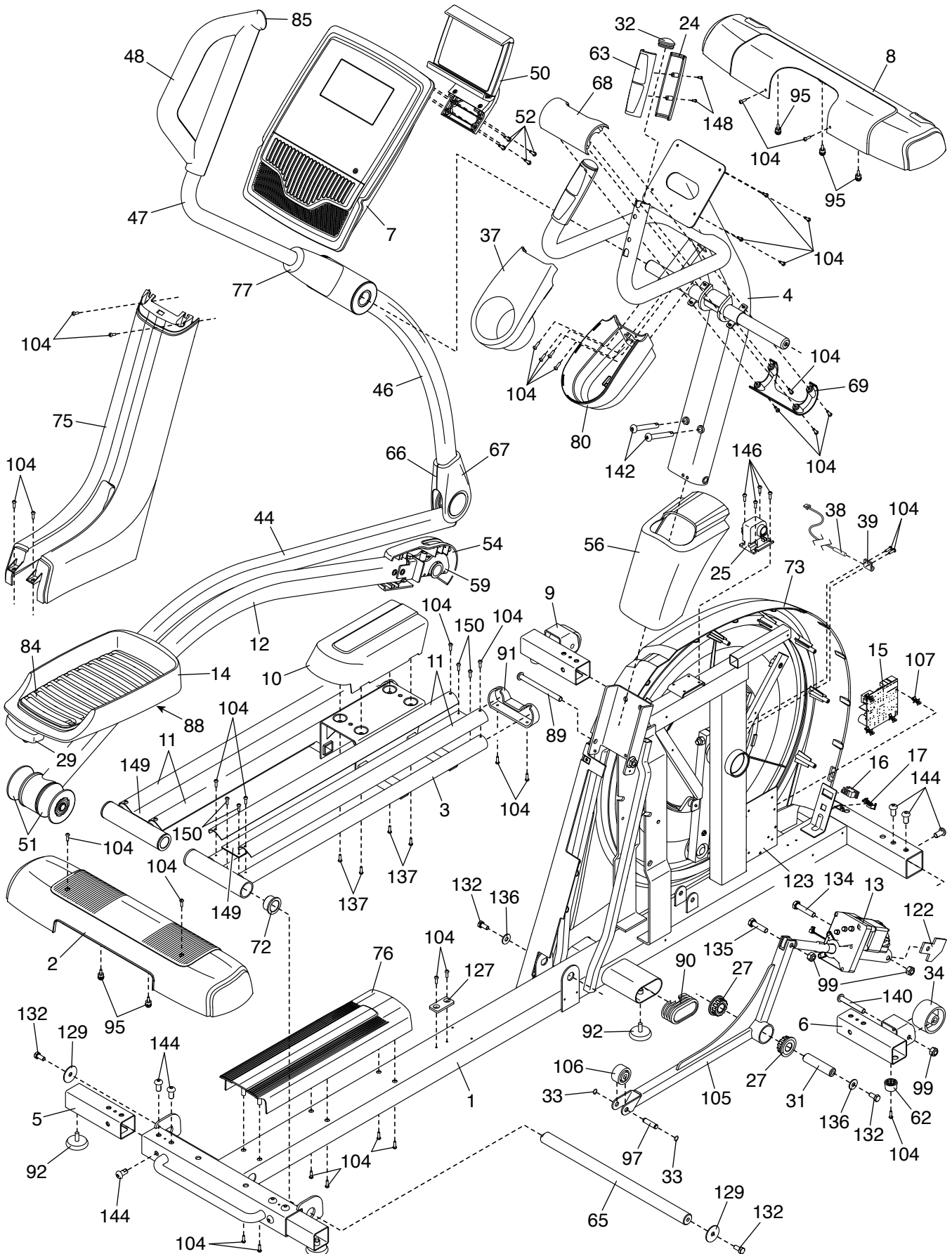


# EXPLODED DRAWING A

Model No. PFEL01717.0 R0817A



# EXPLODED DRAWING B

Model No. PFEL01717.0 R0817A

