

PART LIST

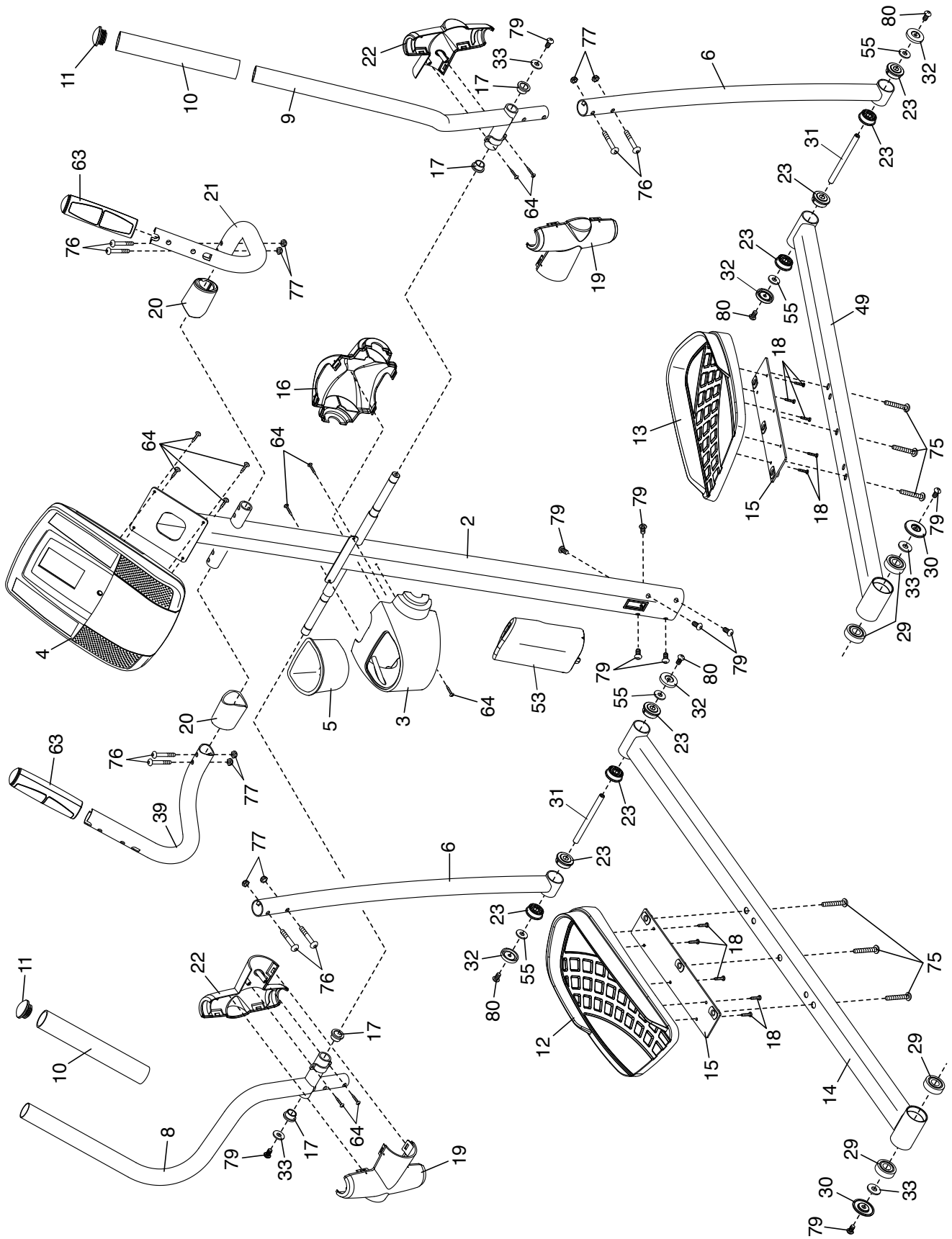
Model No. PFEL03712.0 R1212A

Key No.	Qty.	Description	Key No.	Qty.	Description
1	1	Frame	43	2	M6 x 25mm Washer
2	1	Upright	44	1	Left Shield
3	1	Rear Upright Cover	45	1	Right Shield
4	1	Console	46	1	Drive Belt
5	1	Accessory Tray	47	3	Leveling Foot
6	2	Upper Body Leg	48	2	Stabilizer Cap
7	1	Eddy Mechanism	49	1	Right Pedal Arm
8	1	Left Upper Body Arm	50	1	Left Wheel Cap
9	1	Right Upper Body Arm	51	1	Right Wheel Cap
10	2	Foam Grip	52	1	Idler
11	2	Upper Body Arm Cap	53	1	Front Shield Cover
12	1	Left Pedal	54	1	Resistance Motor
13	1	Right Pedal	55	4	M6 x 18mm Washer
14	1	Left Pedal Arm	56	1	Left Crank Arm
15	2	Pedal Bracket	57	1	Clamp
16	1	Front Upright Cover	58	1	Reed Switch/Wire
17	4	Pivot Bushing	59	4	M8 x 10mm Screw
18	10	#10 x 16mm Screw	60	1	Key
19	2	Rear Pivot Cover	61	6	M4 x 19mm Screw
20	2	Pulse Bar Cover	62	1	M6 x 16mm Hex Screw
21	1	Right Pulse Bar	63	2	Pulse Grip/Wire
22	2	Front Pivot Cover	64	40	M4 x 16mm Screw
23	8	Pedal Arm Bushing	65	1	C-magnet Bolt
24	1	Crank	66	1	Pulley
25	1	Right Crank Arm	67	1	Key Screw
26	2	Pedal Disc	68	1	Crank Arm Bolt
27	1	Crank Arm Spacer	69	4	Resistance Motor Screw
28	1	Upright Wire	70	1	Rear Stabilizer
29	4	Bearing	71	1	M4 x 16mm Ground Screw
30	2	Pedal Arm Cap	72	1	Drive Belt Adjustment Screw
31	2	Pivot Axle	73	1	Front Stabilizer
32	4	Pivot Cover	74	4	M8 x 15mm Screw
33	4	M8 Washer	75	6	M10 x 35mm Screw
34	1	Left Front Shield	76	8	M8 x 35mm Bolt
35	1	Right Front Shield	77	11	M8 Locknut
36	2	Disc Cover	78	4	M10 x 93mm Screw
37	1	Shield Cover	79	10	M8 x 20mm Screw
38	2	Crank Bearing	80	4	M6 x 18mm Screw
39	1	Left Pulse Bar	81	1	Pivot Screw
40	2	Snap Ring	*	—	User's Manual
41	2	Magnet	*	—	Assembly Tool
42	1	Frame Wire	*	—	Grease Packet

Note: Specifications are subject to change without notice. For information about ordering replacement parts, see the back cover of this manual. *These parts are not illustrated.

EXPLODED DRAWING A

Model No. PFEL03712.0 R1212A



EXPLODED DRAWING B

Model No. PFEL03712.0 R1212A

