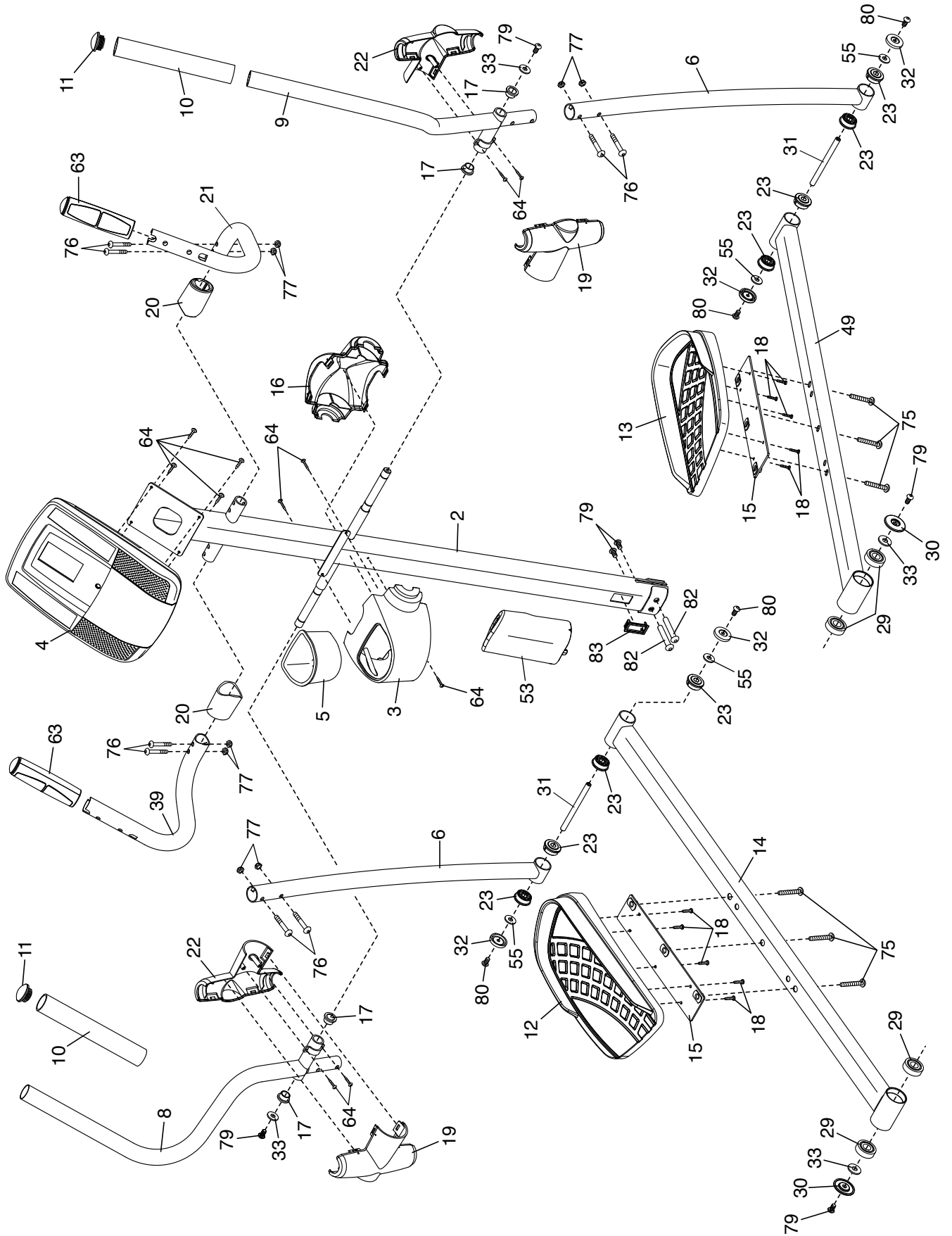


# EXPLODED DRAWING A

Model No. PFEL03712C.0 R0814A



# EXPLODED DRAWING B

Model No. PFEL03712C.0 R0814A

