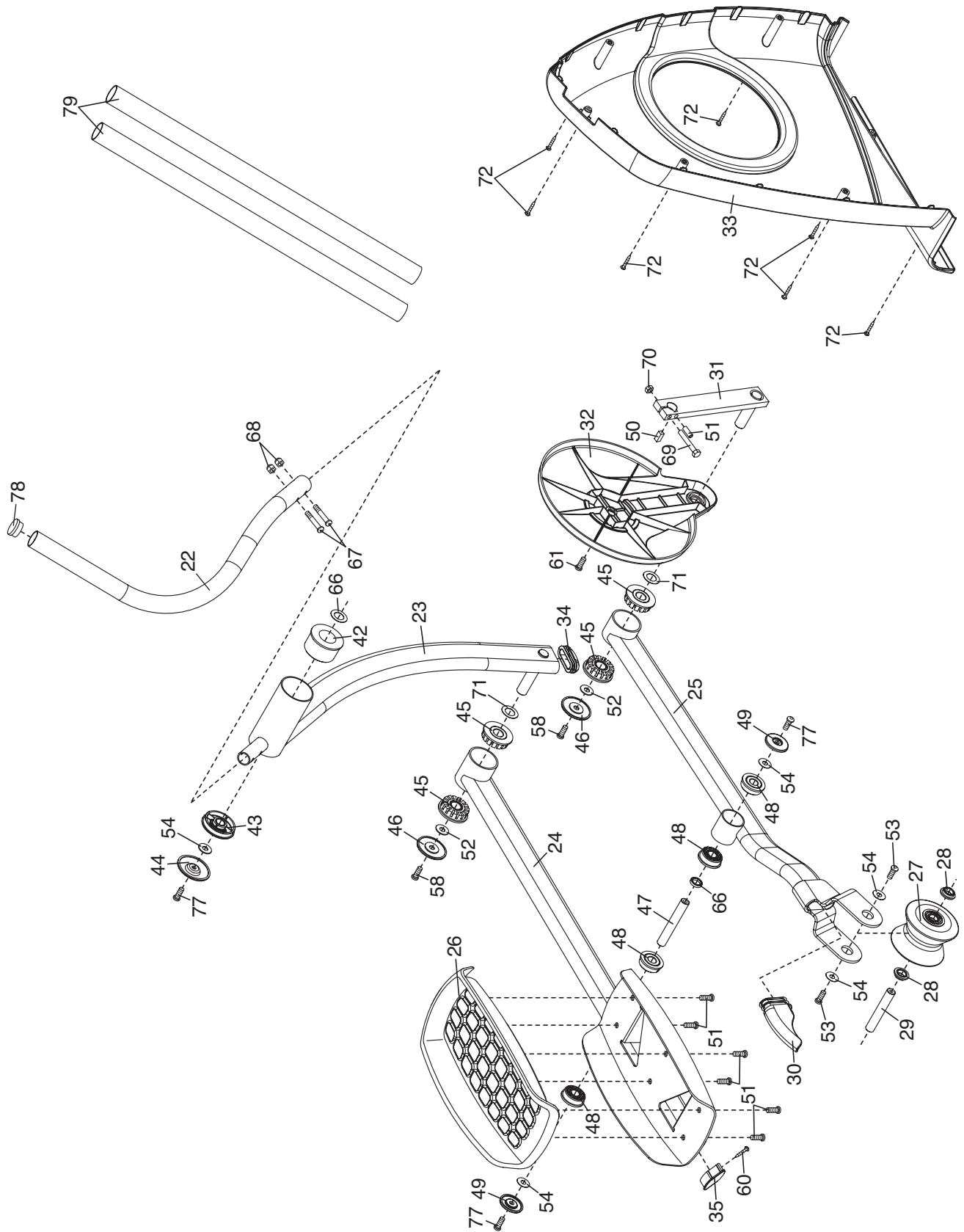


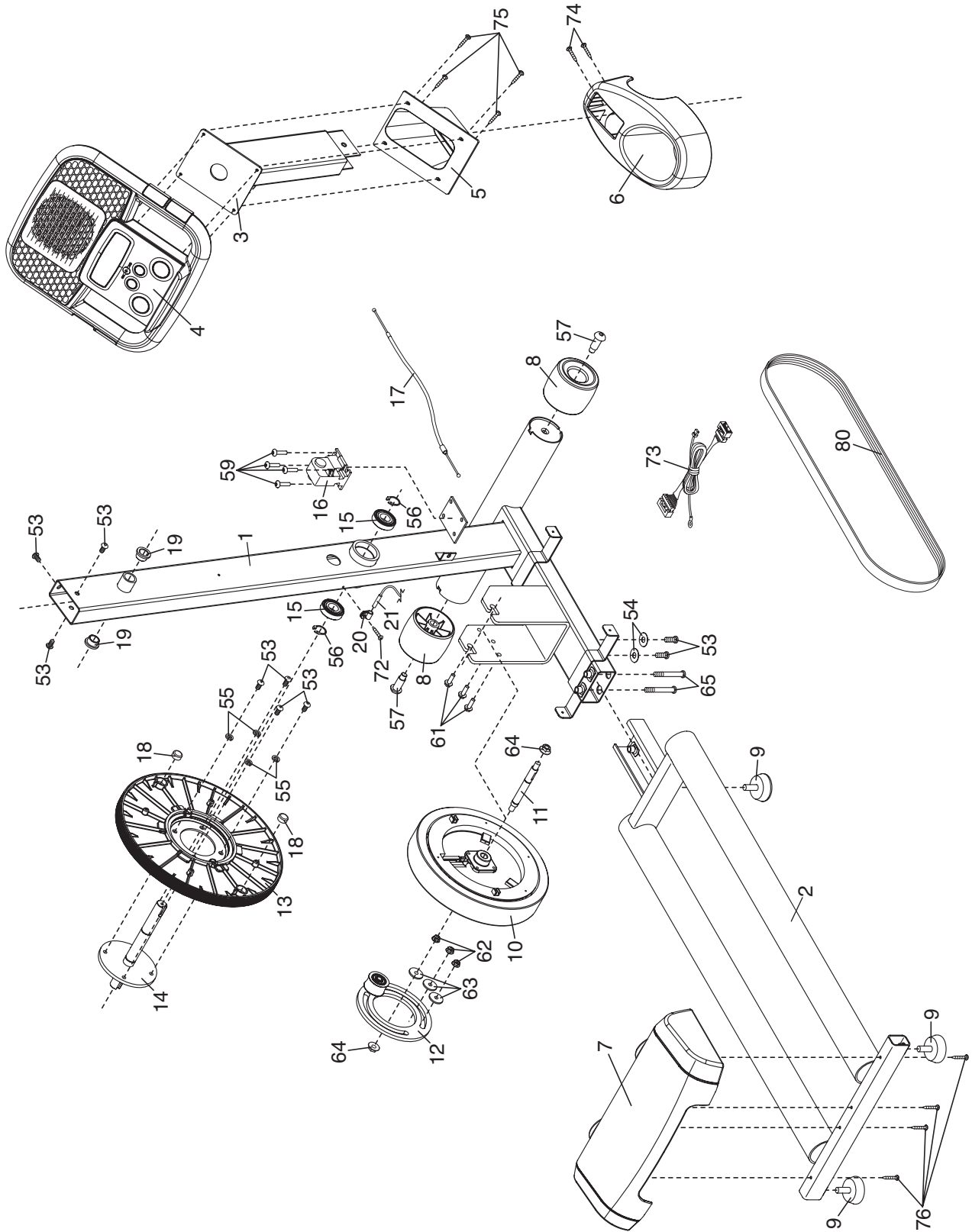
# EXPLODED DRAWING A—Model No. PFEL04907.0

R0807B



# EXPLODED DRAWING B—Model No. PFEL04907.0

R0807B



# EXPLODED DRAWING C—Model No. PFEL04907.0

R0807BB

