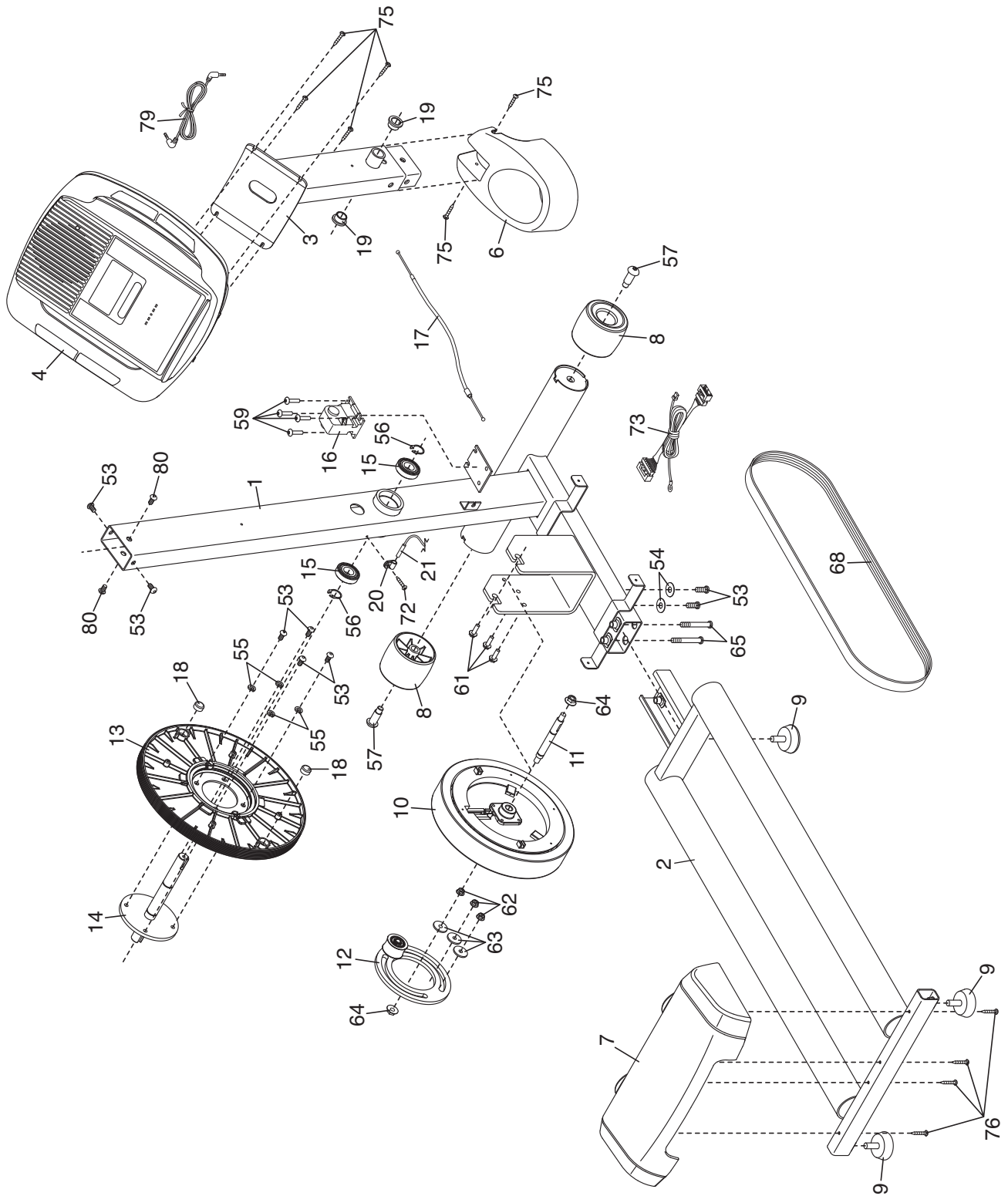




# EXPLODED DRAWING B—Model No. PFEL04909.0

R1109A



# EXPLODED DRAWING C—Model No. PFEL04909.0

R1109A

