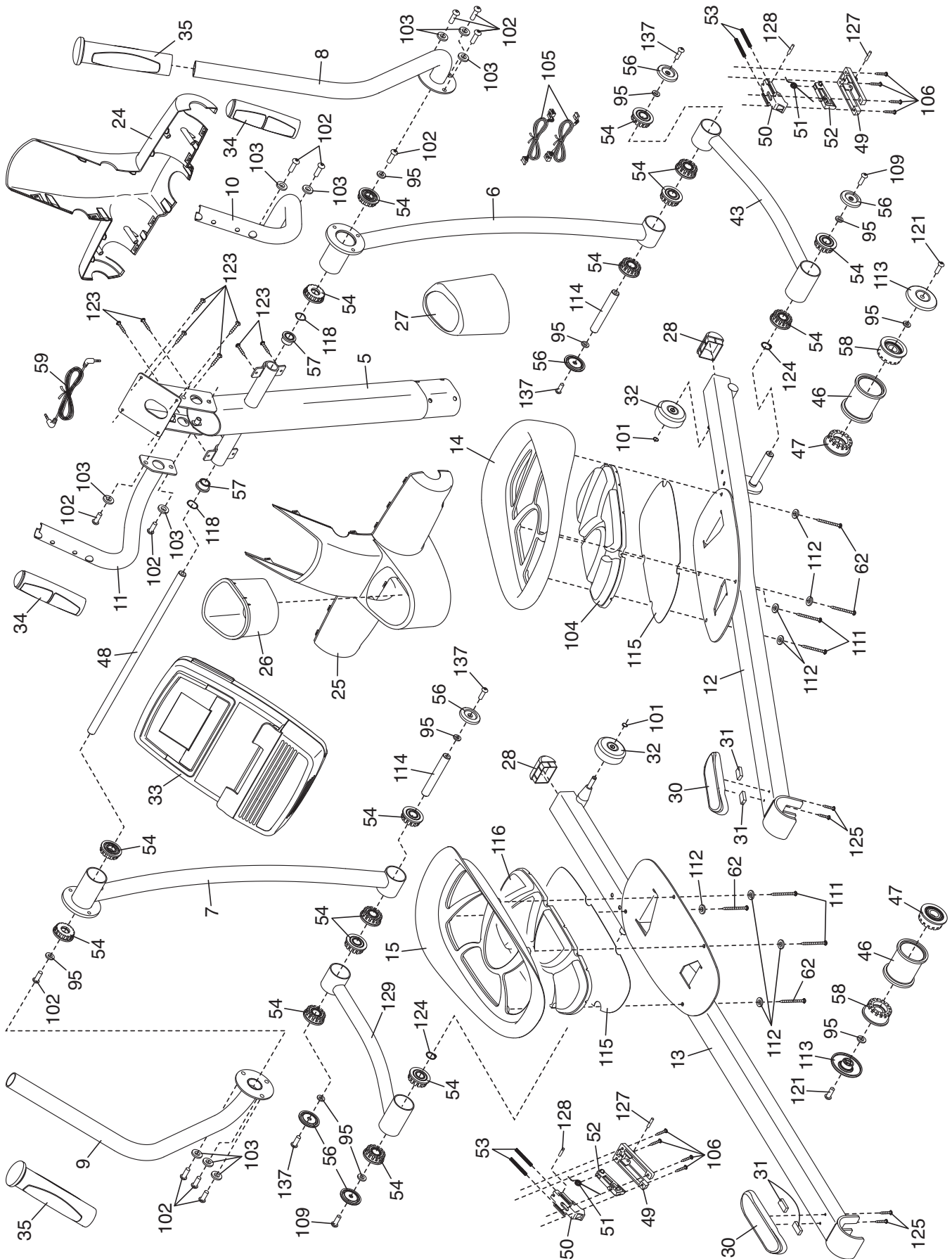


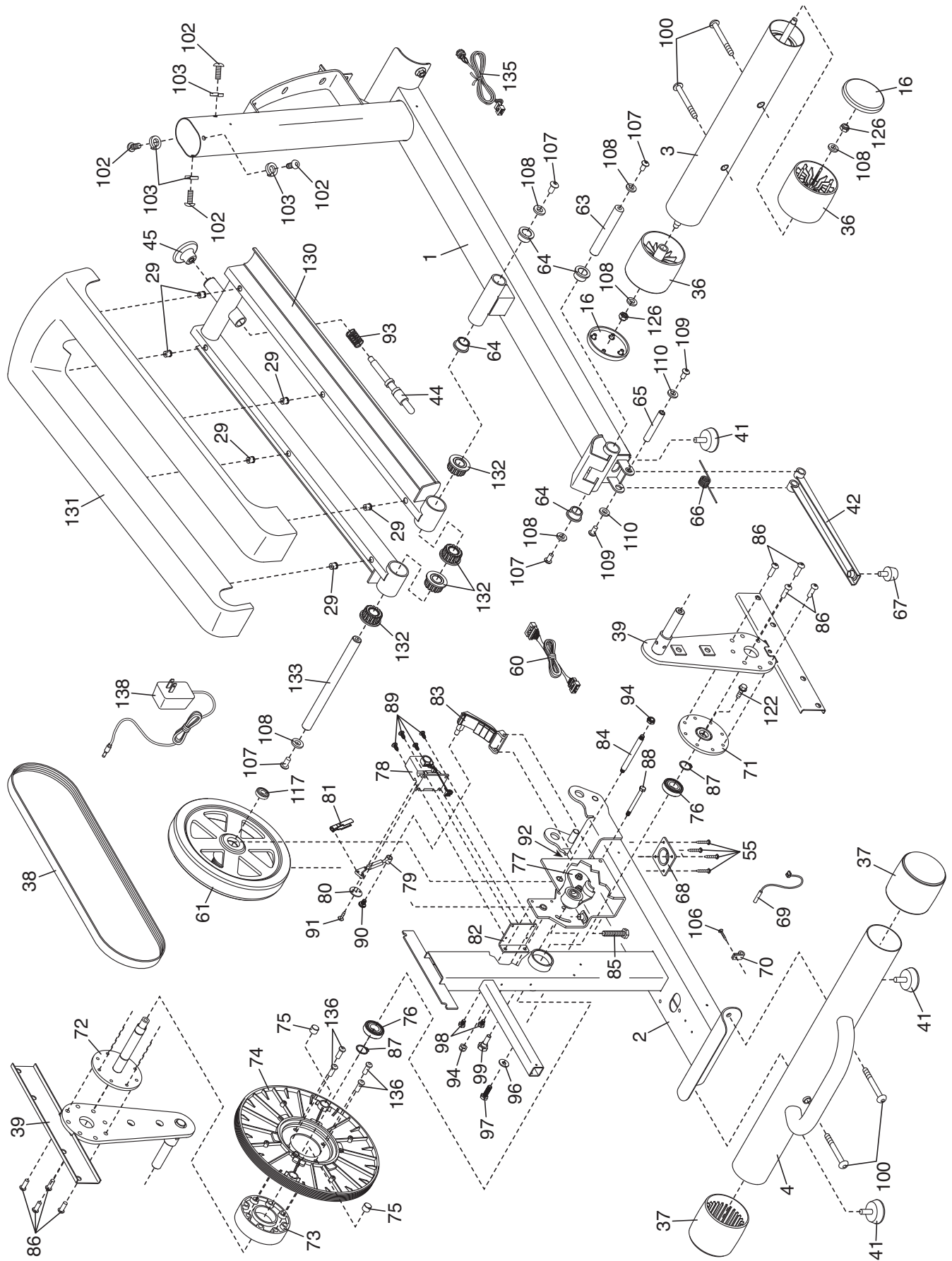
EXPLODED DRAWING A – Model No. PFEL05619.0

R1010A



EXPLODED DRAWING B—Model No. PFEL05619.0

R1010A



EXPLODED DRAWING C—Model No. PFEL05619.0

R1010A

