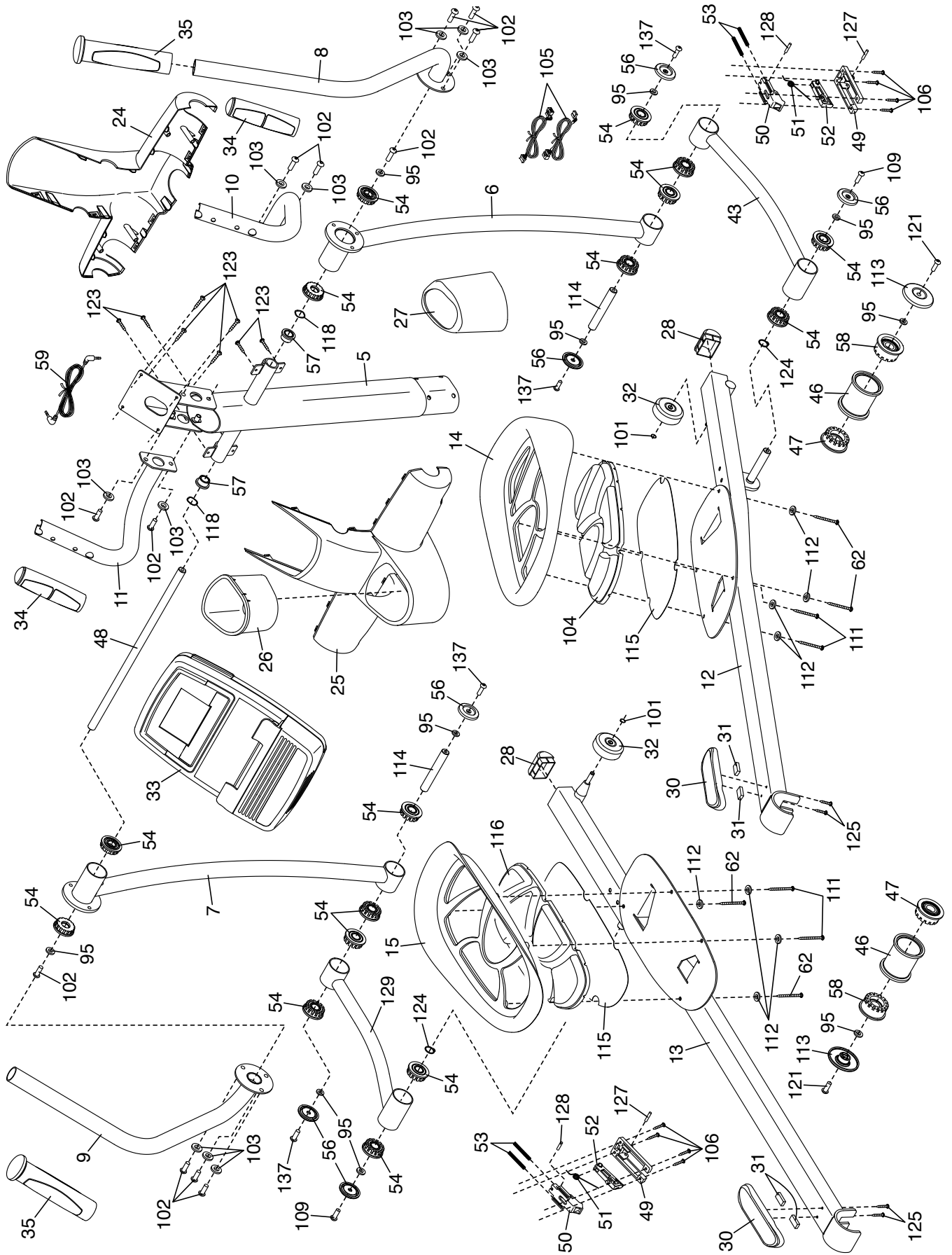


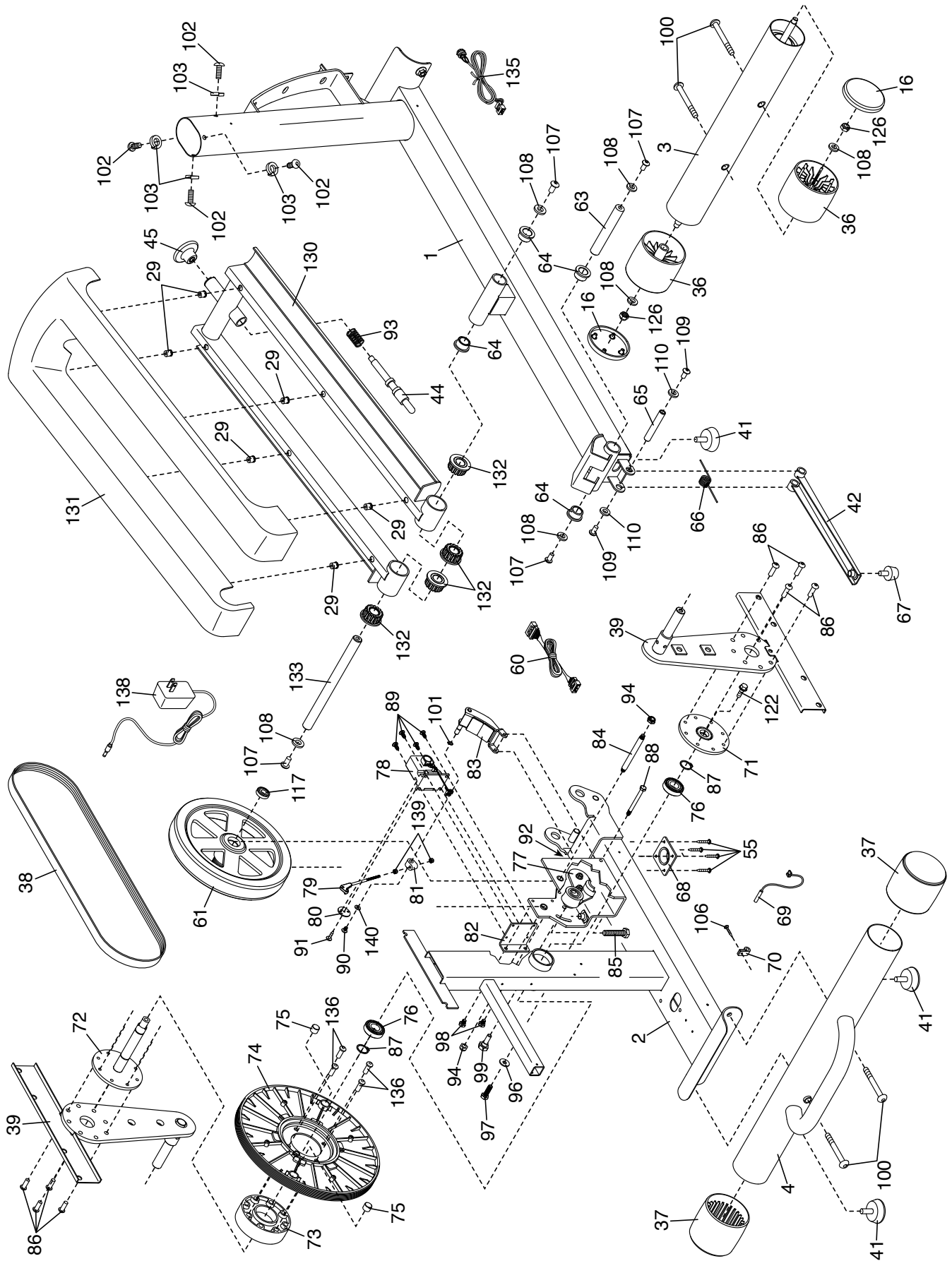
# EXPLODED DRAWING A

Model No. PFEL05619.2 R0916A



# EXPLODED DRAWING B

Model No. PFEL05619.2 R0916A



# EXPLODED DRAWING C

Model No. PFEL05619.2 R0916A

