

PART LIST—Model No. PFEL05807.0

R1007A

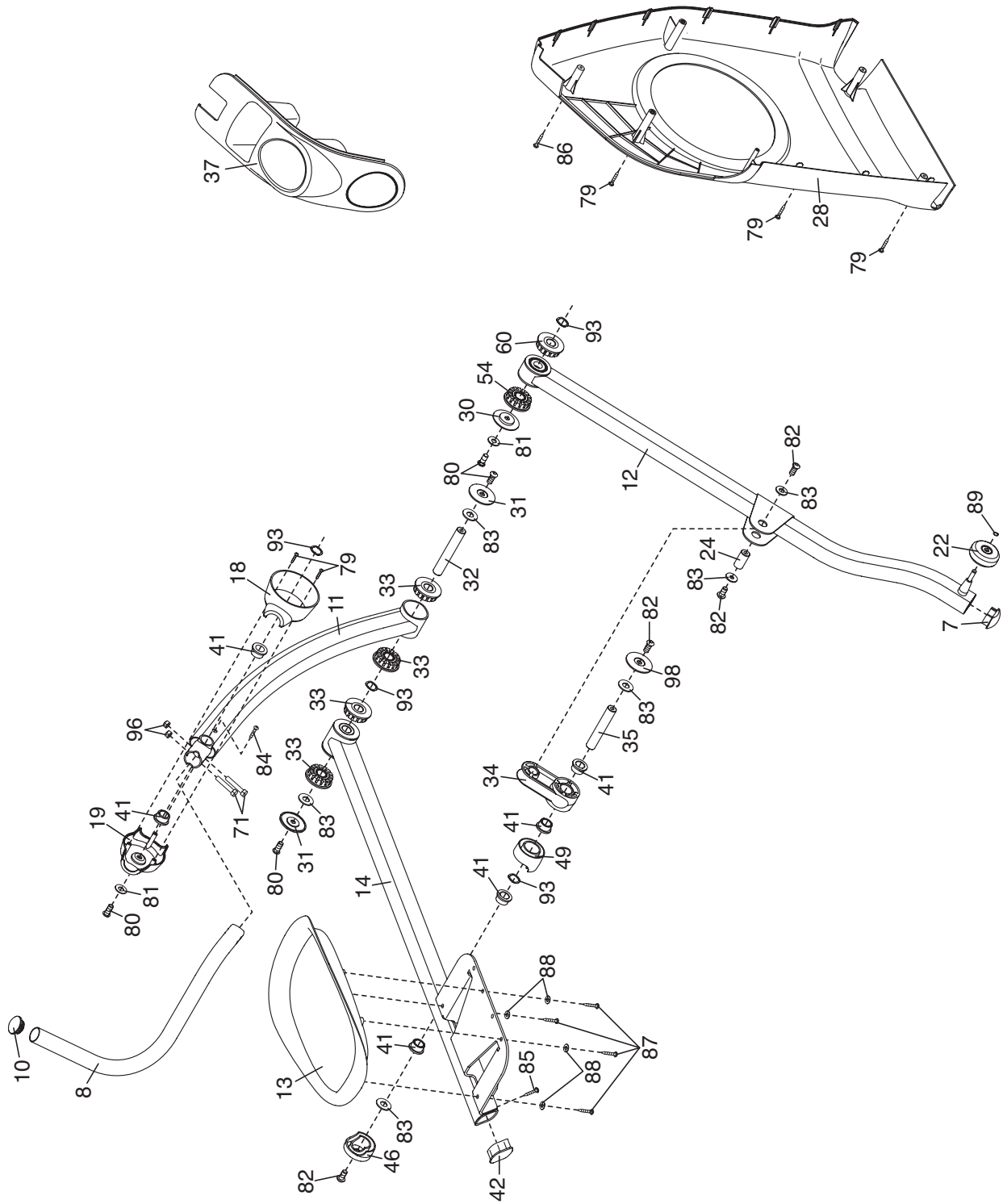
Key No.	Qty.	Description	Key No.	Qty.	Description
1	1	Base	41	12	Axle Bushing
2	1	Frame	42	2	Pedal Leg Endcap
3	2	Outer Crank Arm Cover	43	1	Crank Sleeve
4	2	Inner Crank Arm Cover	44	2	Crank Bearing Set
5	1	Console	45	1	Crank
6	1	Upright	46	2	Selector Cover
7	2	Roller Cover	47	4	Snap Ring
8	1	Left Handlebar	48	1	Wire Harness
9	1	Right Handlebar	49	2	Selector Spacer
10	2	Handlebar Endcap	50	1	Reed Switch/Wire
11	2	Handlebar Leg	51	1	Belt
12	1	Left Roller Leg	52	1	Flywheel
13	1	Left Pedal	53	1	"C" Magnet
14	1	Left Pedal Leg	54	2	Outer Bearing Set
15	1	Right Pedal	55	2	Magnet
16	1	Right Pedal Leg	56	1	Spring
17	2	Frame Cover	57	1	Idler
18	2	Inner Handlebar Cover	58	1	Flywheel Pulley
19	2	Outer Handlebar Cover	59	1	Clamp
20	2	Axle Bearing	60	2	Inner Bearing Set
21	1	Right Roller Leg	61	1	Motor
22	2	Roller	62	1	Resistance Cable Pulley
23	1	Rear Frame Cover	63	1	Resistance Cable Set
24	2	Roller Axle	64	2	Foam Grip
25	2	Wheel	65	1	Pivot Axle
26	2	Foot	66	2	Hub Cover
27	1	Center Frame Cover	67	1	Stop Screw
28	1	Left Side Shield	68	1	Idler Screw
29	1	Right Side Shield	69	1	M8 Flange Screw
30	2	Crank Axle Cap	70	4	M8 x 35mm Screw
31	4	Axle Cap	71	4	M8 x 42mm Button Bolt
32	2	Pedal Leg Axle	72	2	M10 Split Washer
33	8	Axle Bushing	73	10	M4 x 12mm Flange Screw
34	2	Selector	74	8	M8 x 25mm Screw
35	2	Selector Axle	75	2	3/8" Flange Screw
36	2	Crank Arm	76	2	M10 Spacer
37	1	Convenience Tray	77	2	Pivot Bushing
38	2	Crank Hub	78	2	M10 x 48mm Button Screw
39	1	Pulley Spacer	79	20	M4 x 16mm Self-tapping Screw
40	1	Pulley	80	8	M10 x 23mm Shoulder Screw

Key No.	Qty.	Description	Key No.	Qty.	Description
81	4	M10 x 20mm x 2mm Washer	92	1	M4 x 12mm Screw
82	8	M10 x 15mm Patch Screw	93	8	Wave Washer
83	12	M10 x 25mm x 1.5mm Washer	94	2	M10 X 35mm Shoulder Screw
84	2	M4 x 16mm Flange Screw	95	3	M8 x 16mm Button Screw
85	8	M4 x 12mm Screw	96	6	M8 Nylon Locknut
86	6	M4 x 16mm Screw	97	2	M10 x 62mm Button Bolt
87	8	M6 x 16mm Phillips Screw	98	2	Selector Axle Cap
88	8	M6 Split Washer	*	–	Hex Key
89	2	“E” Clip	*	–	Grease Packet
90	1	Cover	*	–	User’s Manual
91	4	M4 x 65mm Screw			

Specifications are subject to change without notice. See the back cover of this manual for information about ordering replacement parts. *These parts are not illustrated.

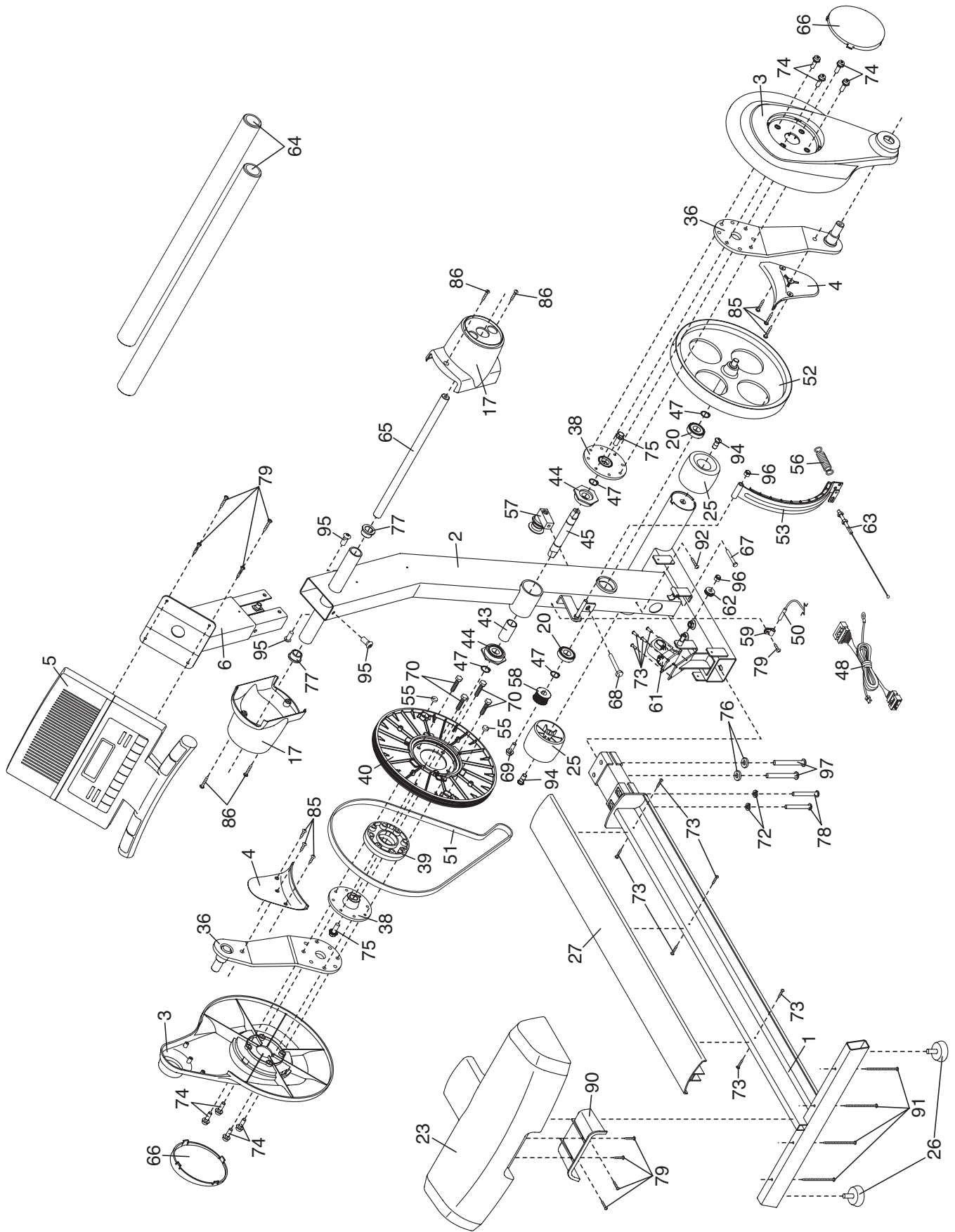
EXPLODED DRAWING A—Model No. PFEL05807.0

R1007A



EXPLODED DRAWING B—Model No. PFEL05807.0

R1007A



EXPLODED DRAWING C—Model No. PFEL05807.0

R1007A

