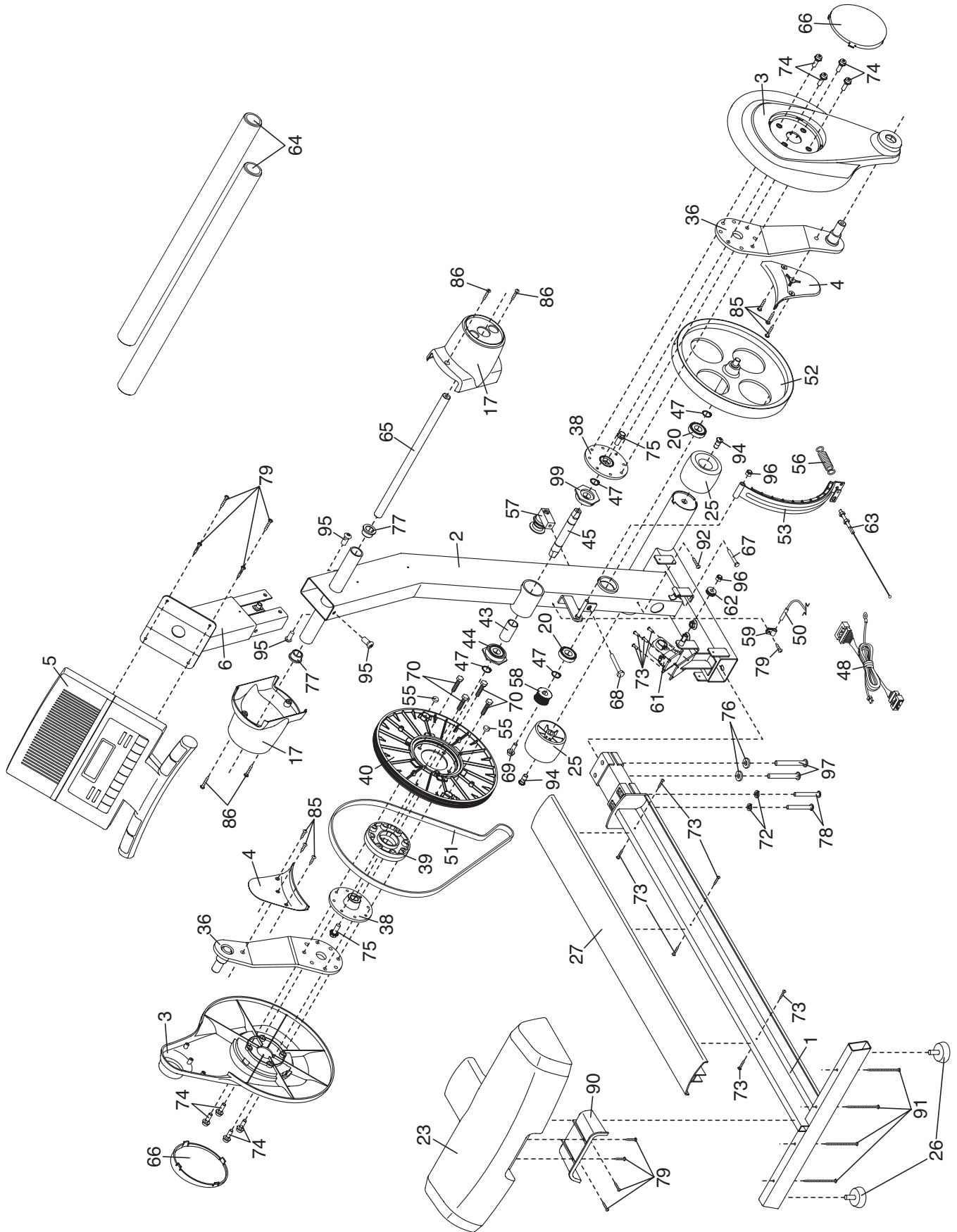


EXPLODED DRAWING B—Model No. PFEL05807.1

R0108A



EXPLODED DRAWING C—Model No. PFEL05807.1

R0108A

