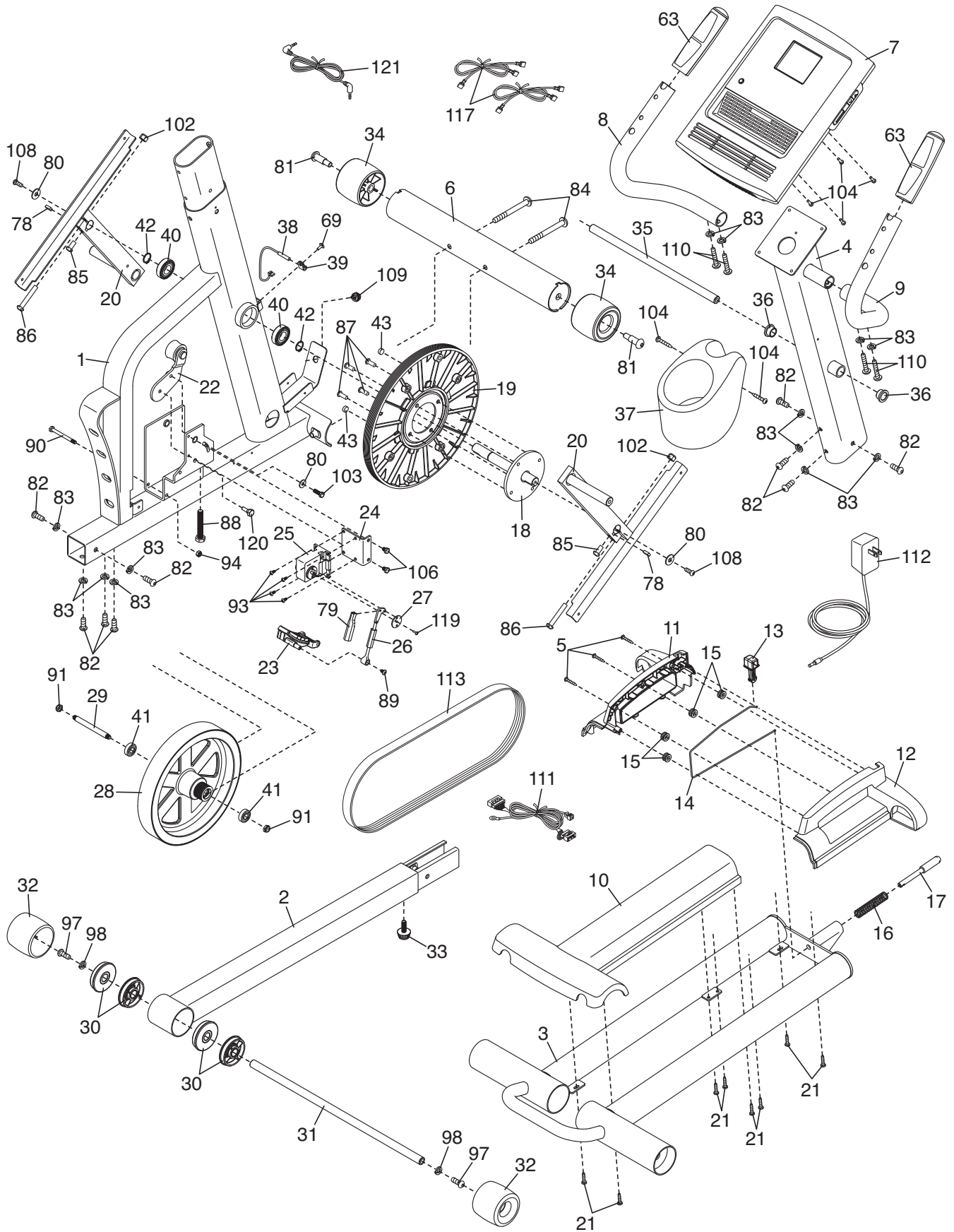


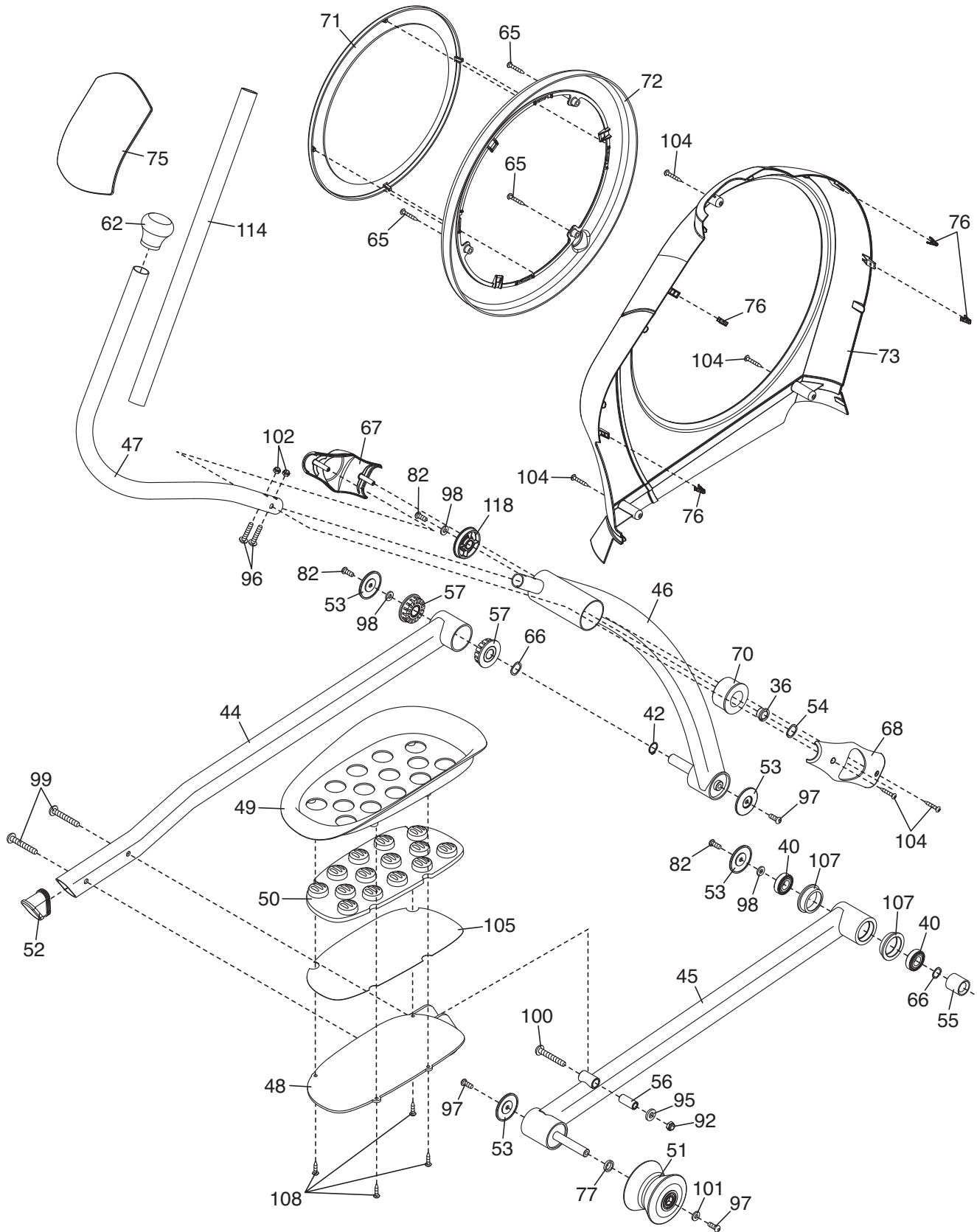
# EXPLODED DRAWING A—Model No. PFEL05809.2

R0910A



# EXPLODED DRAWING B—Model No. PFEL05809.2

R0910A



# EXPLODED DRAWING C—Model No. PFEL05809.2

R0910A

