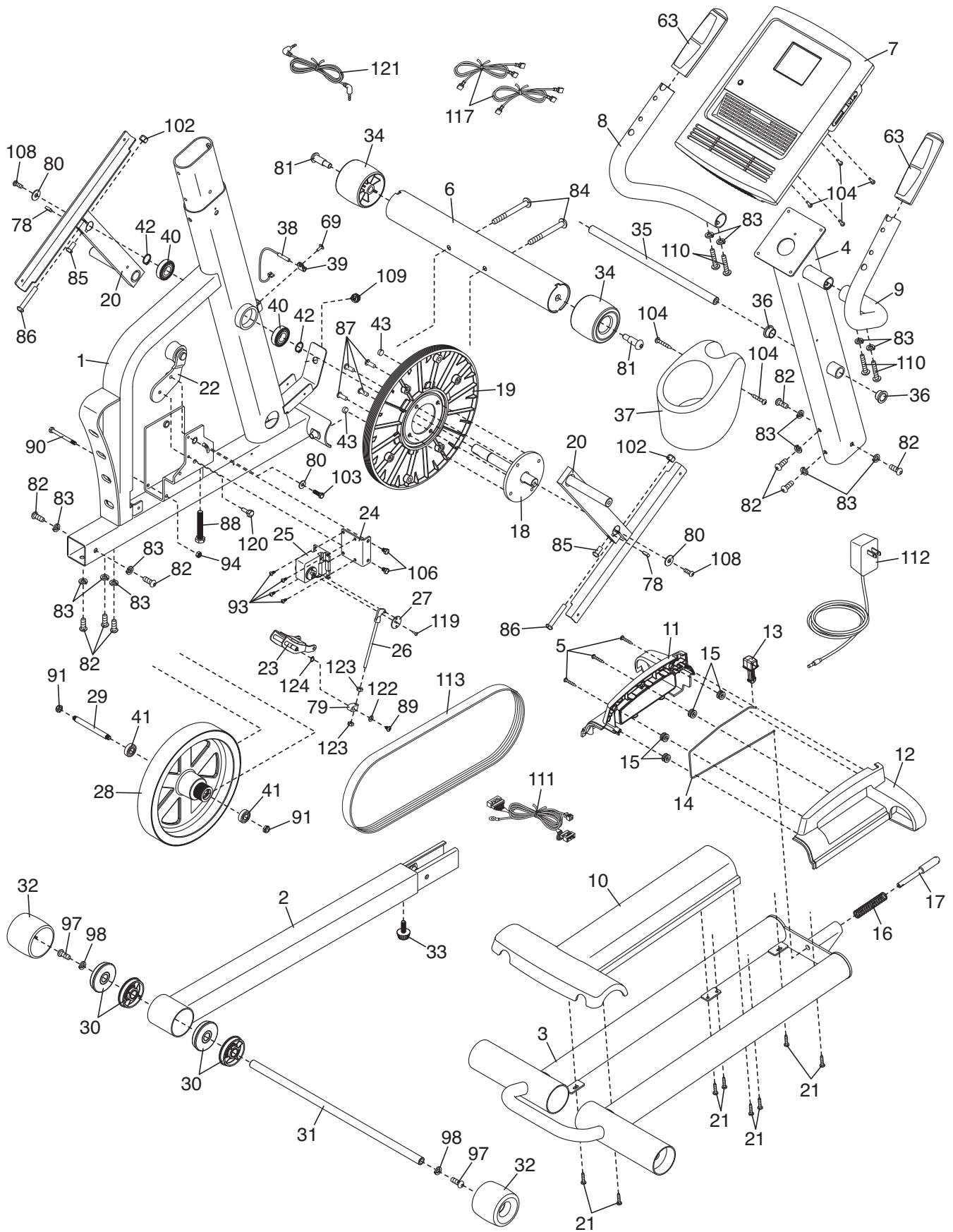


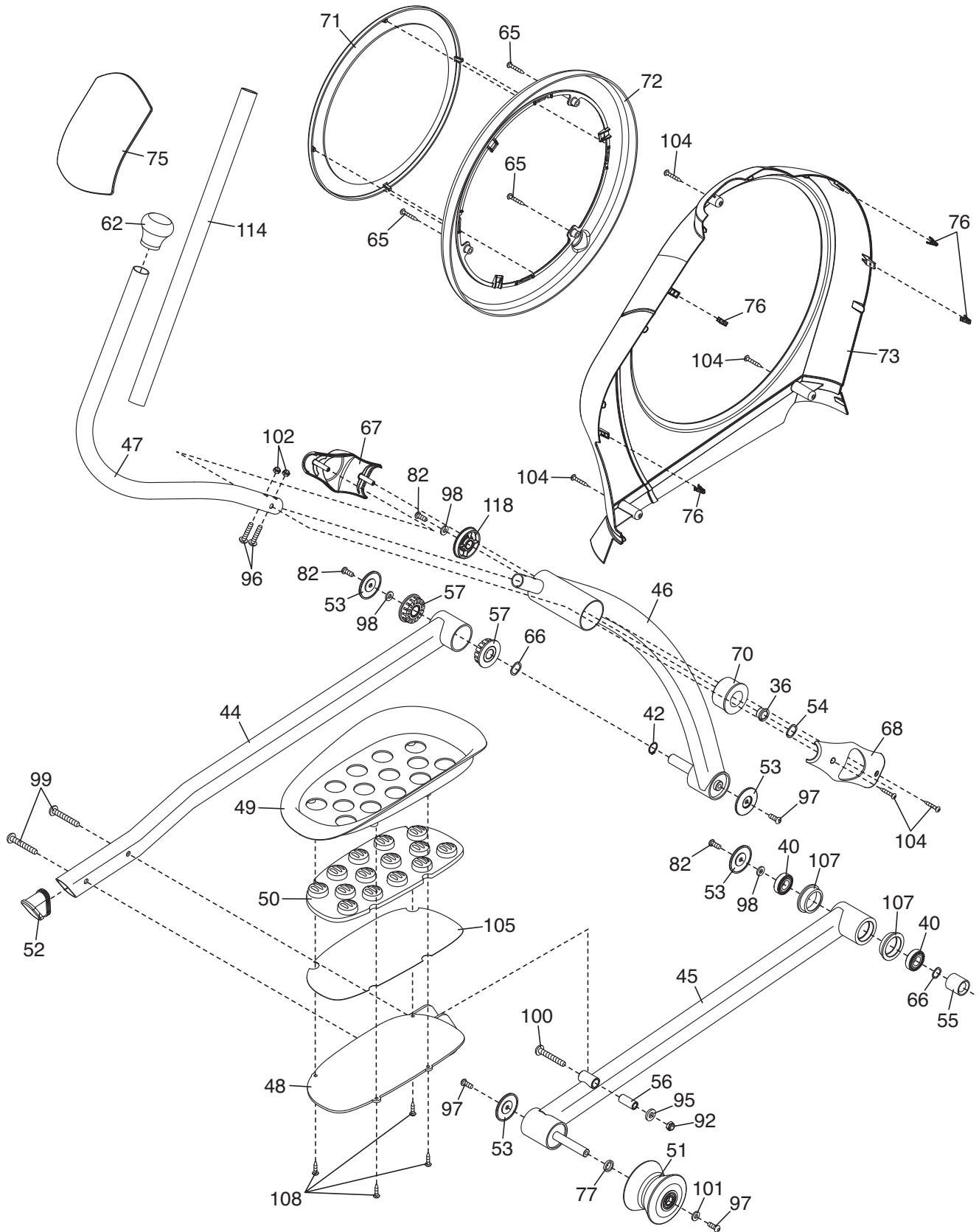
EXPLODED DRAWING A

Model No. PFEL05809.3 R0111B



EXPLODED DRAWING B

Model No. PFEL05809.3 R0111B



EXPLODED DRAWING C

Model No. PFEL05809.3 R0111B

