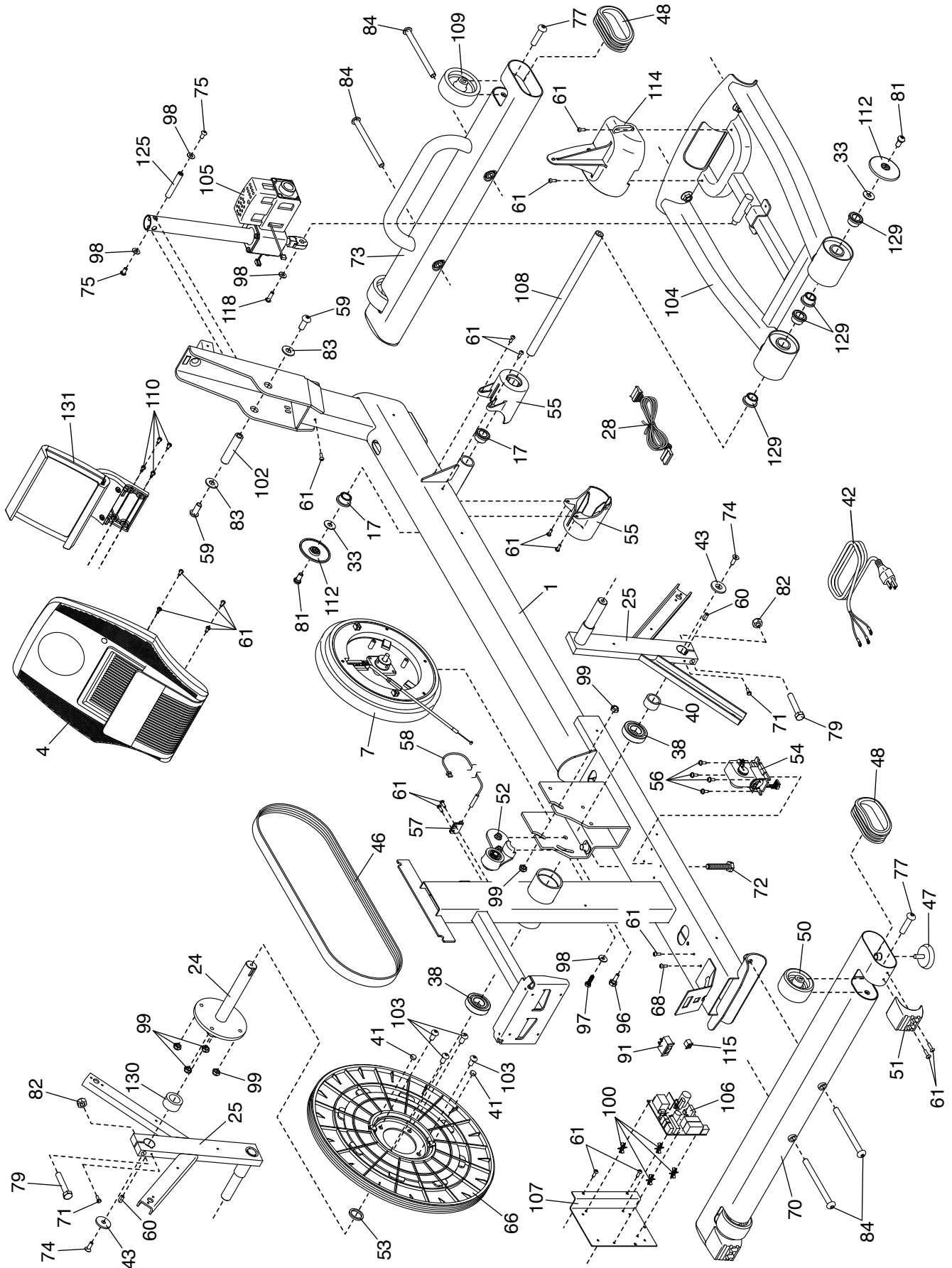


# EXPLODED DRAWING A

Model No. PFEL06916.0 R1016A





# EXPLODED DRAWING C

Model No. PFEL06916.0 R1016A

