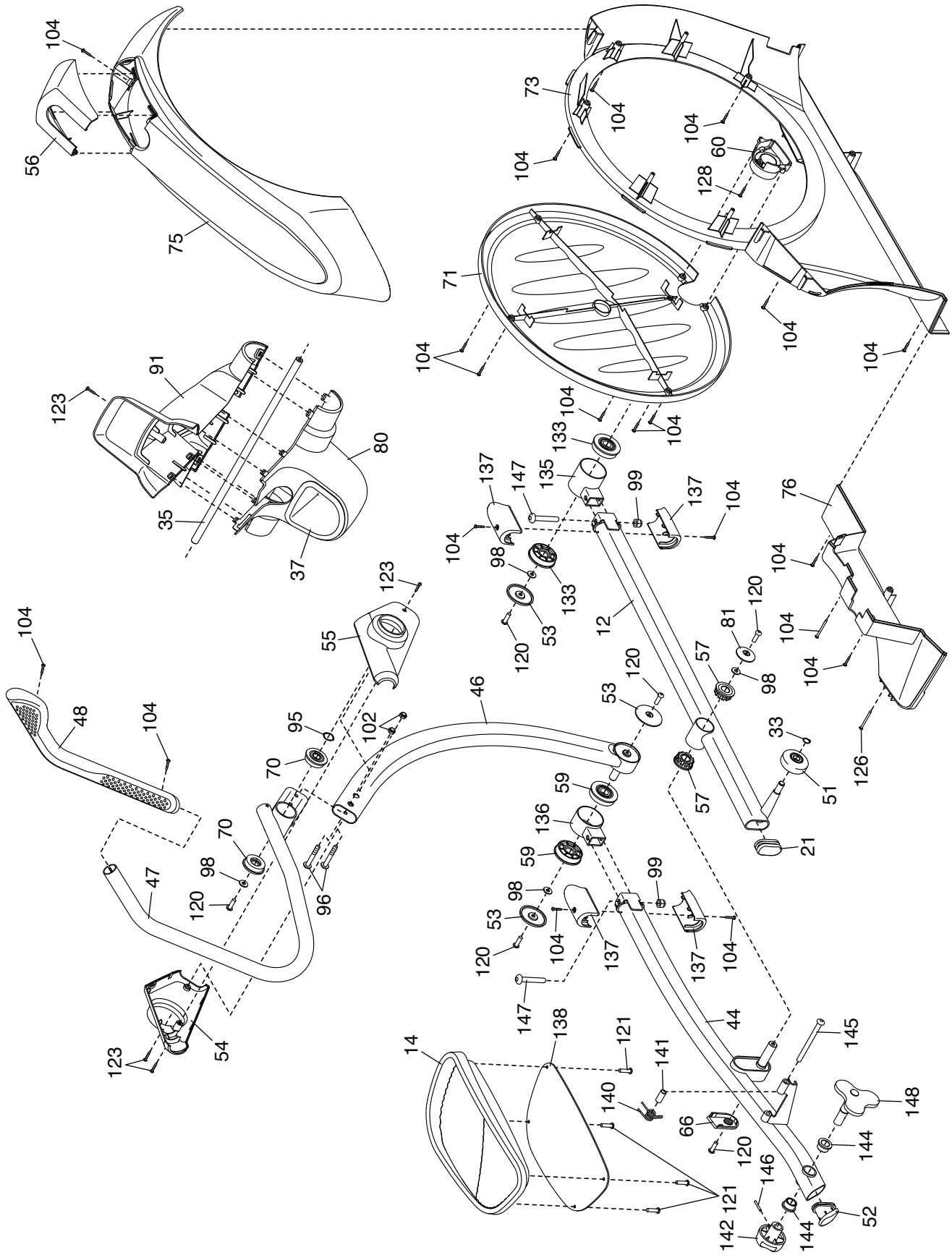


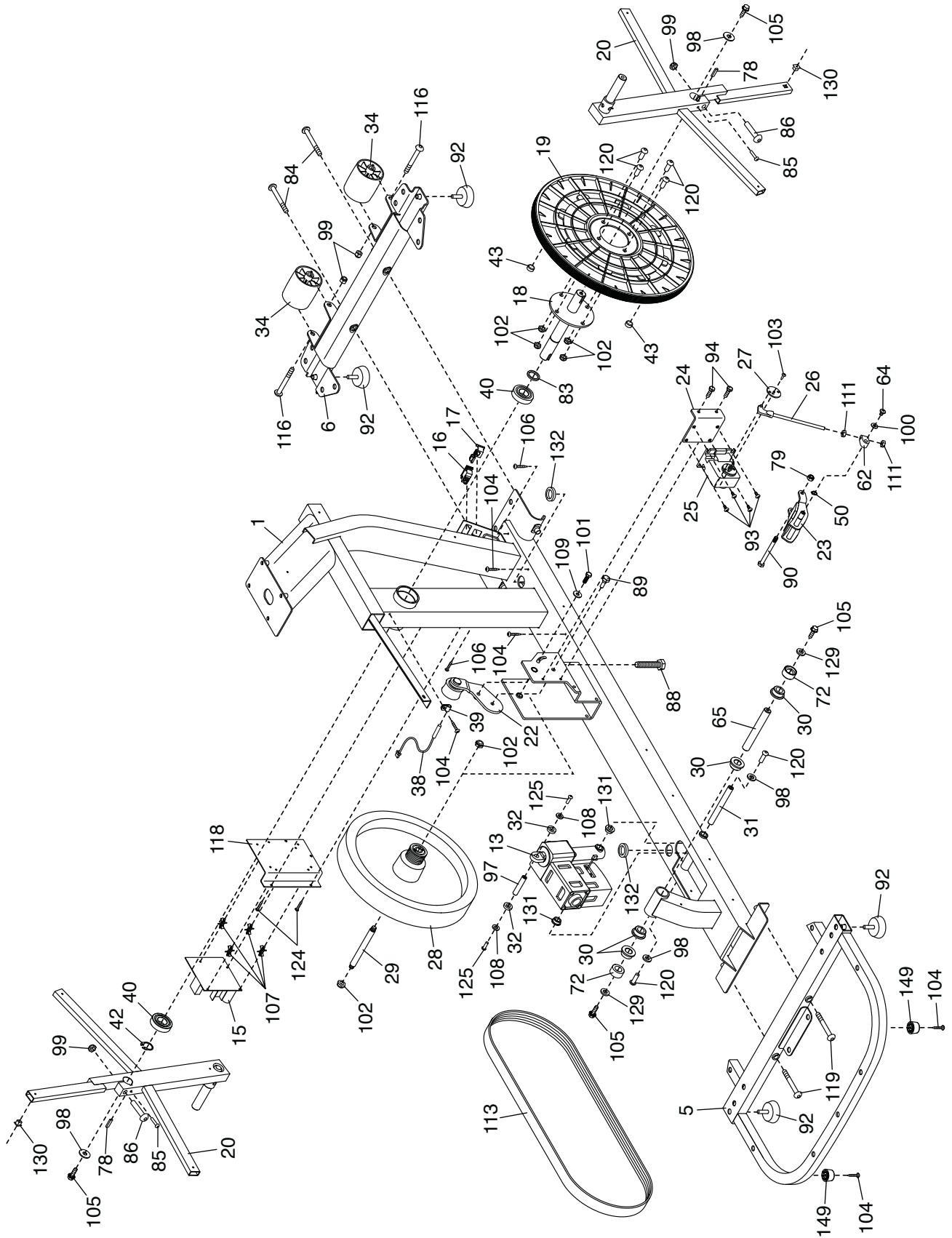
EXPLODED DRAWING A

Model No. PFEL09911.0 R1111A



EXPLODED DRAWING B

Model No. PFEL09911.0 R1111A



EXPLODED DRAWING D

Model No. PFEL09911.0 R1111A

