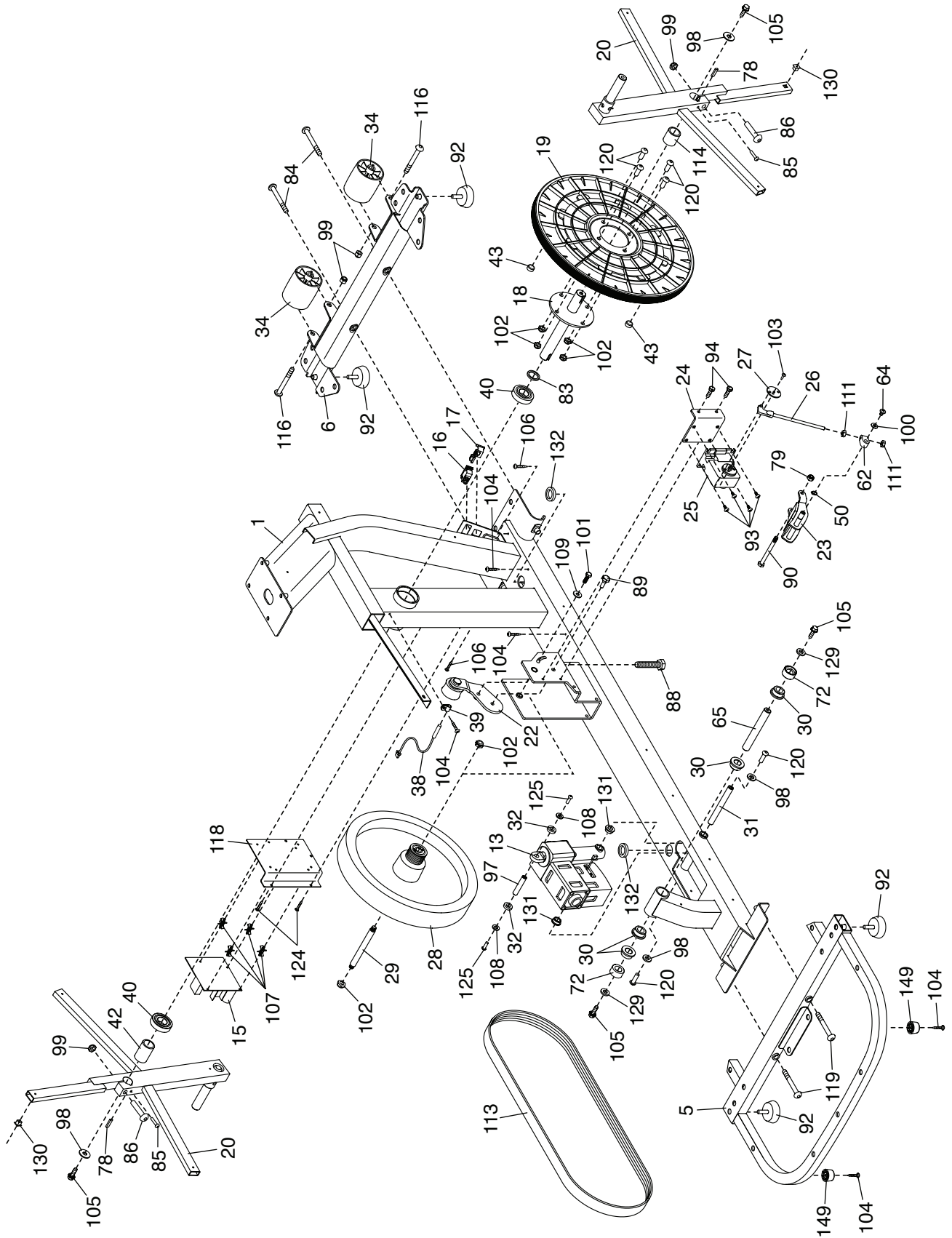


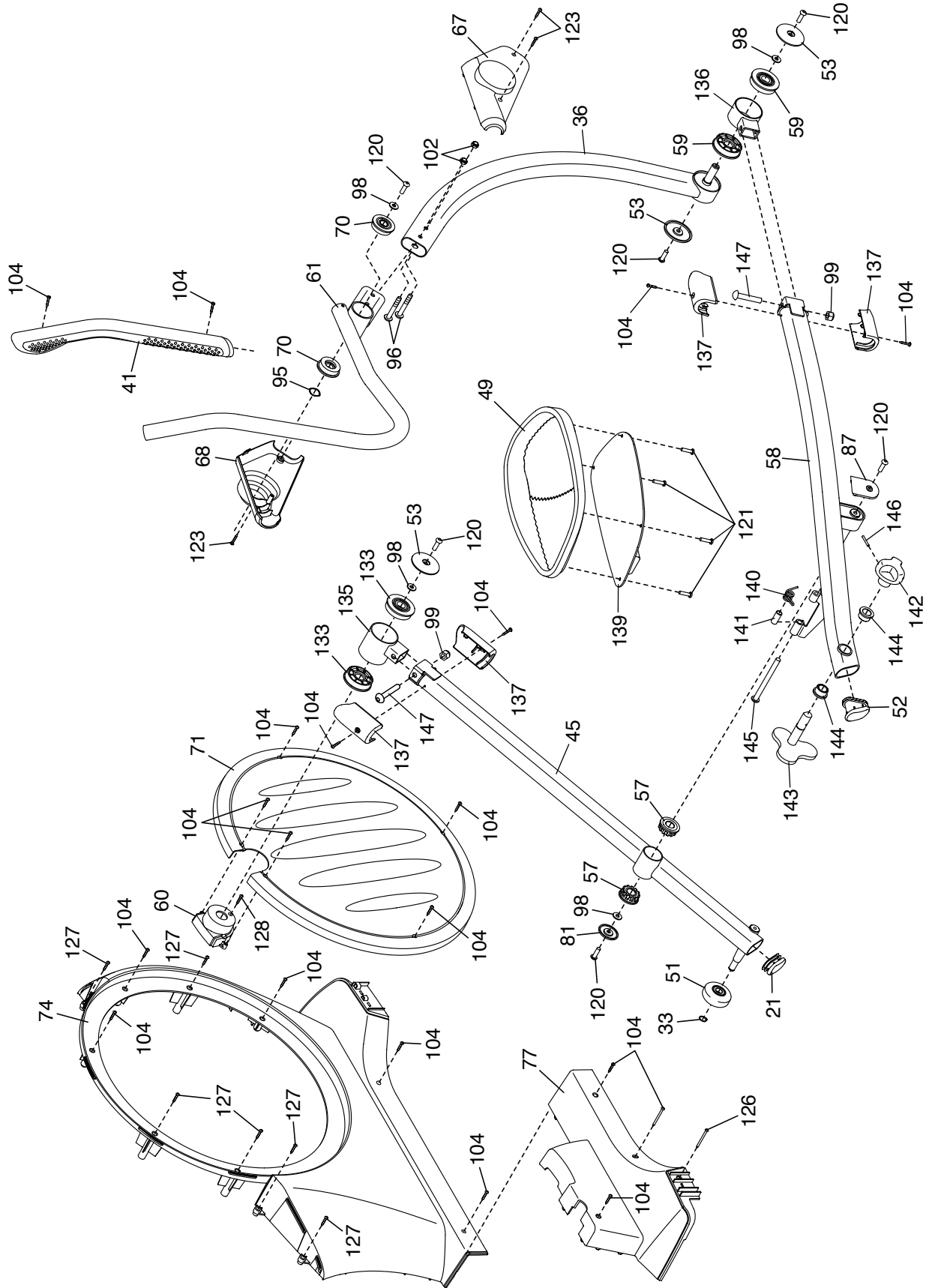
EXPLODED DRAWING B

Model No. PFEL09911.1 R0113A



EXPLODED DRAWING C

Model No. PFEL09911.1 R0113A



EXPLODED DRAWING D

Model No. PFEL09911.1 R0113A

