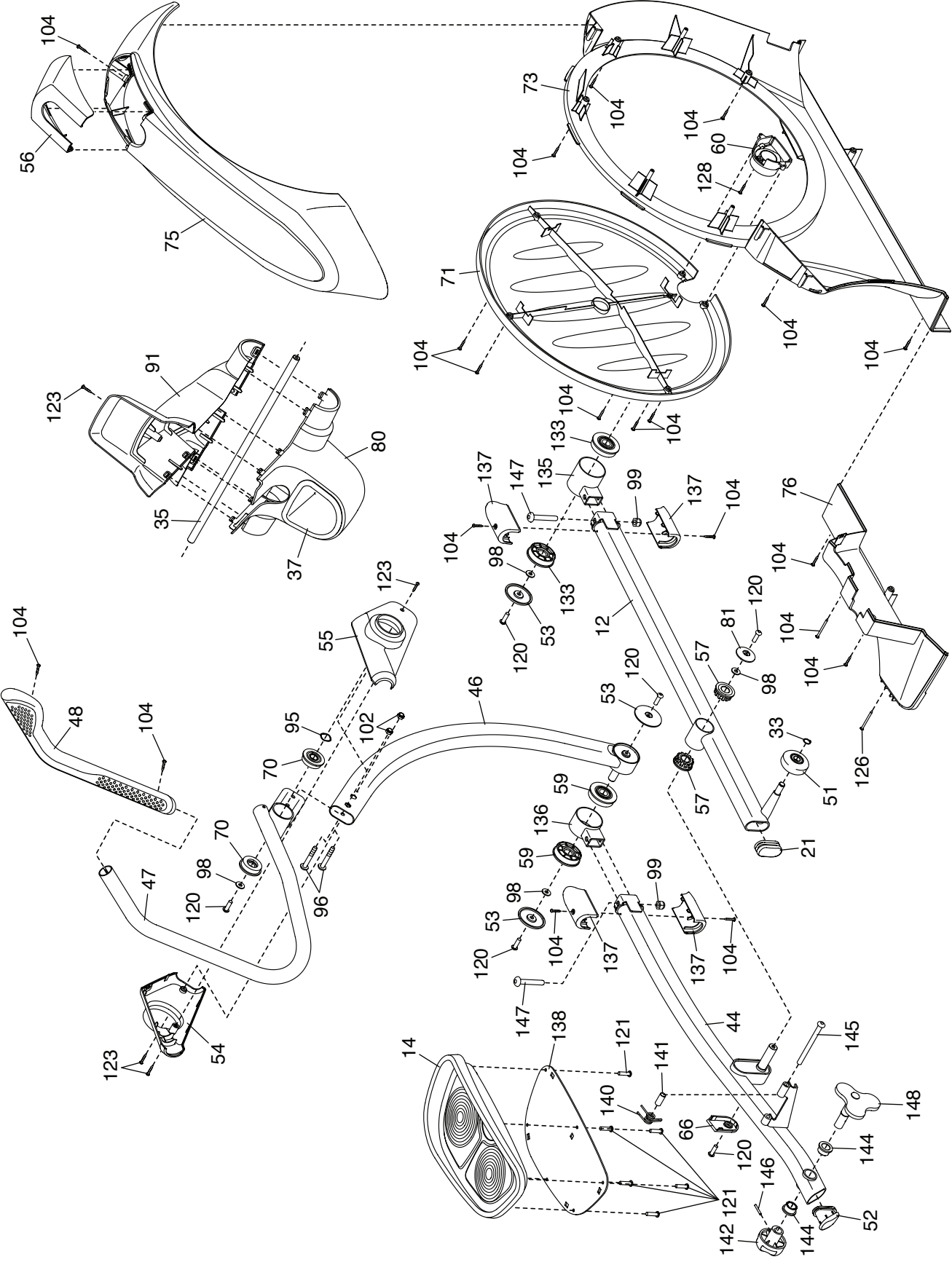


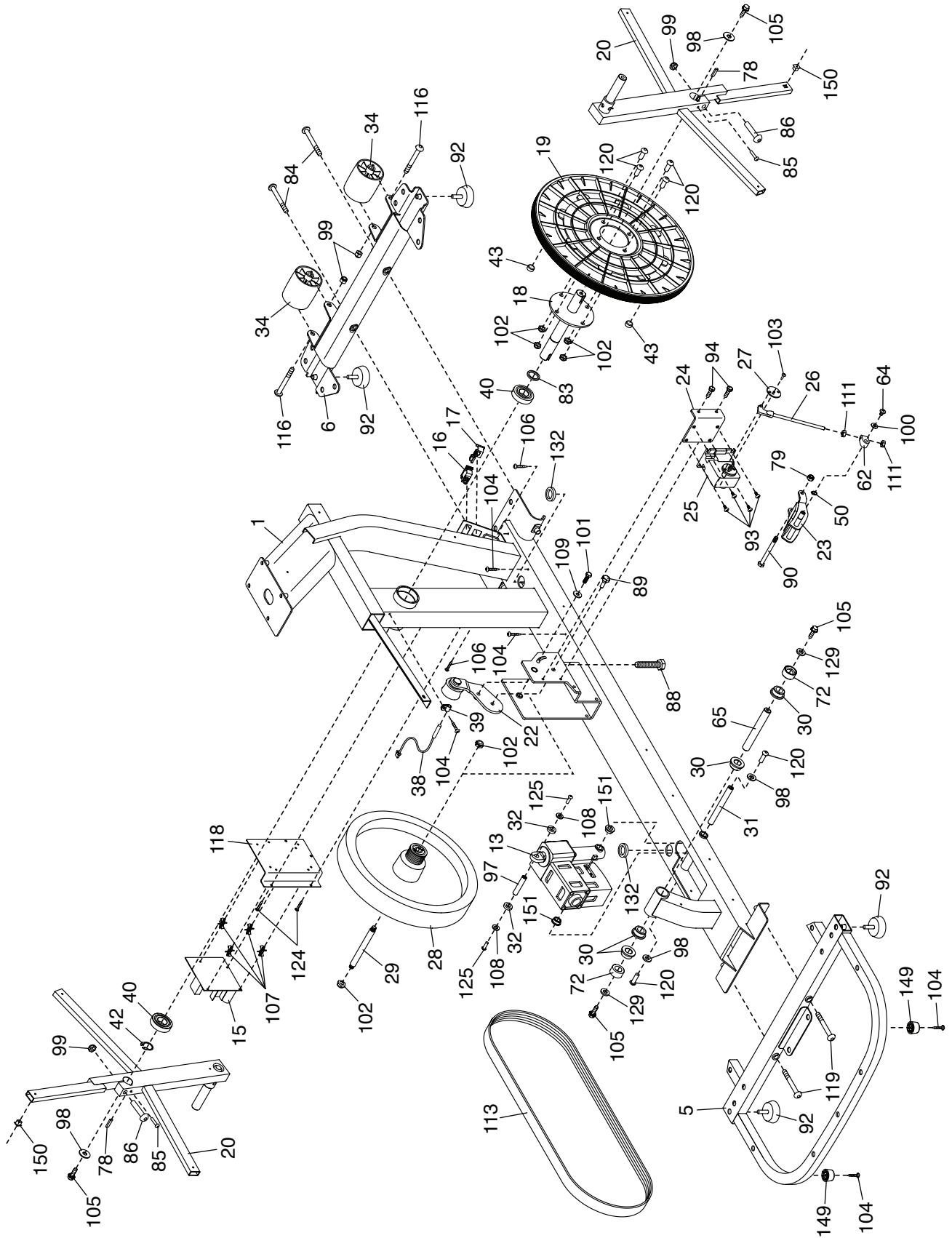
EXPLODED DRAWING A

Model No. PFEL09911.3 R0113A



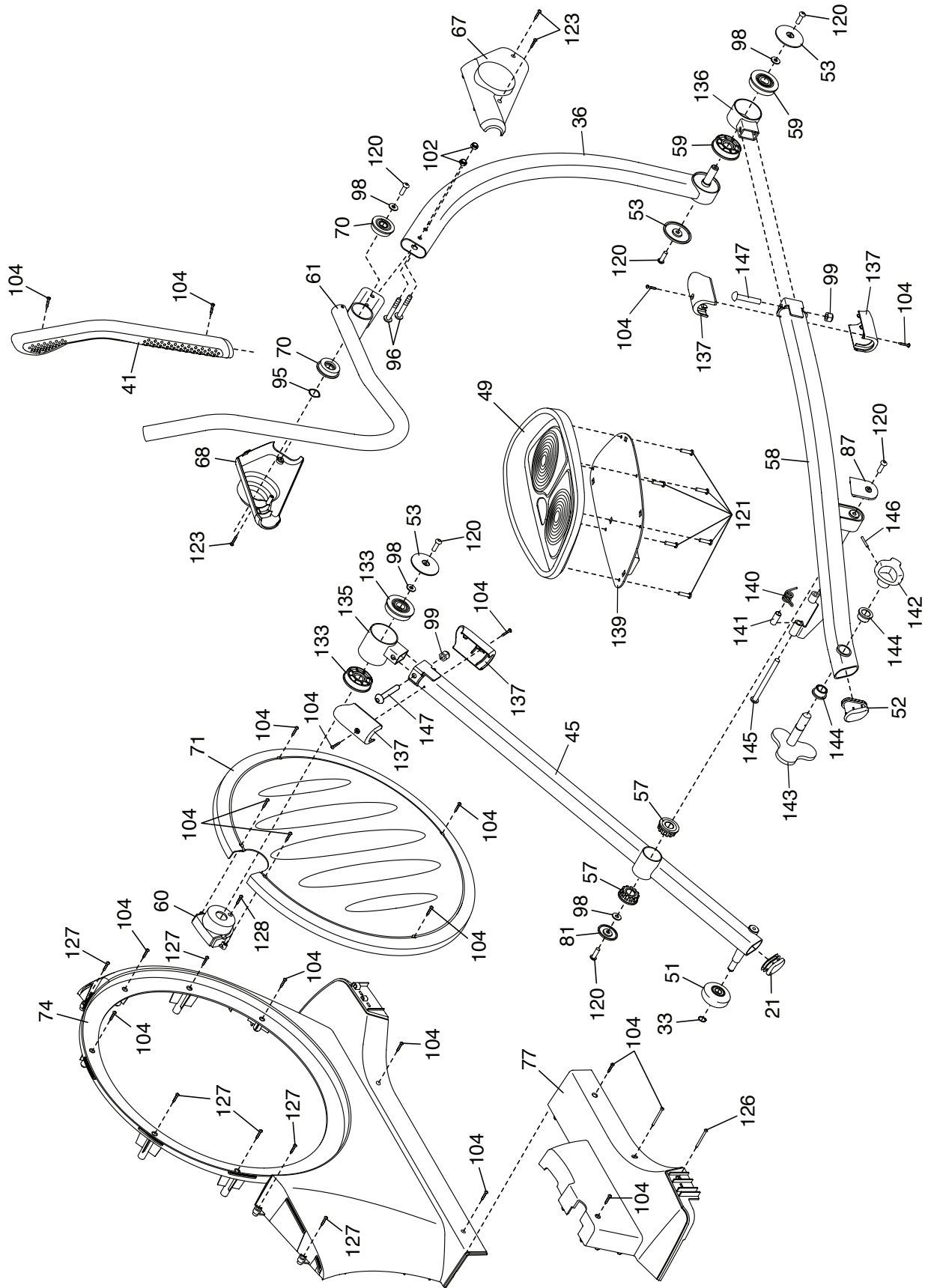
EXPLODED DRAWING B

Model No. PFEL09911.3 R0113A



EXPLODED DRAWING C

Model No. PFEL09911.3 R0113A



EXPLODED DRAWING D

Model No. PFEL09911.3 R0113A

