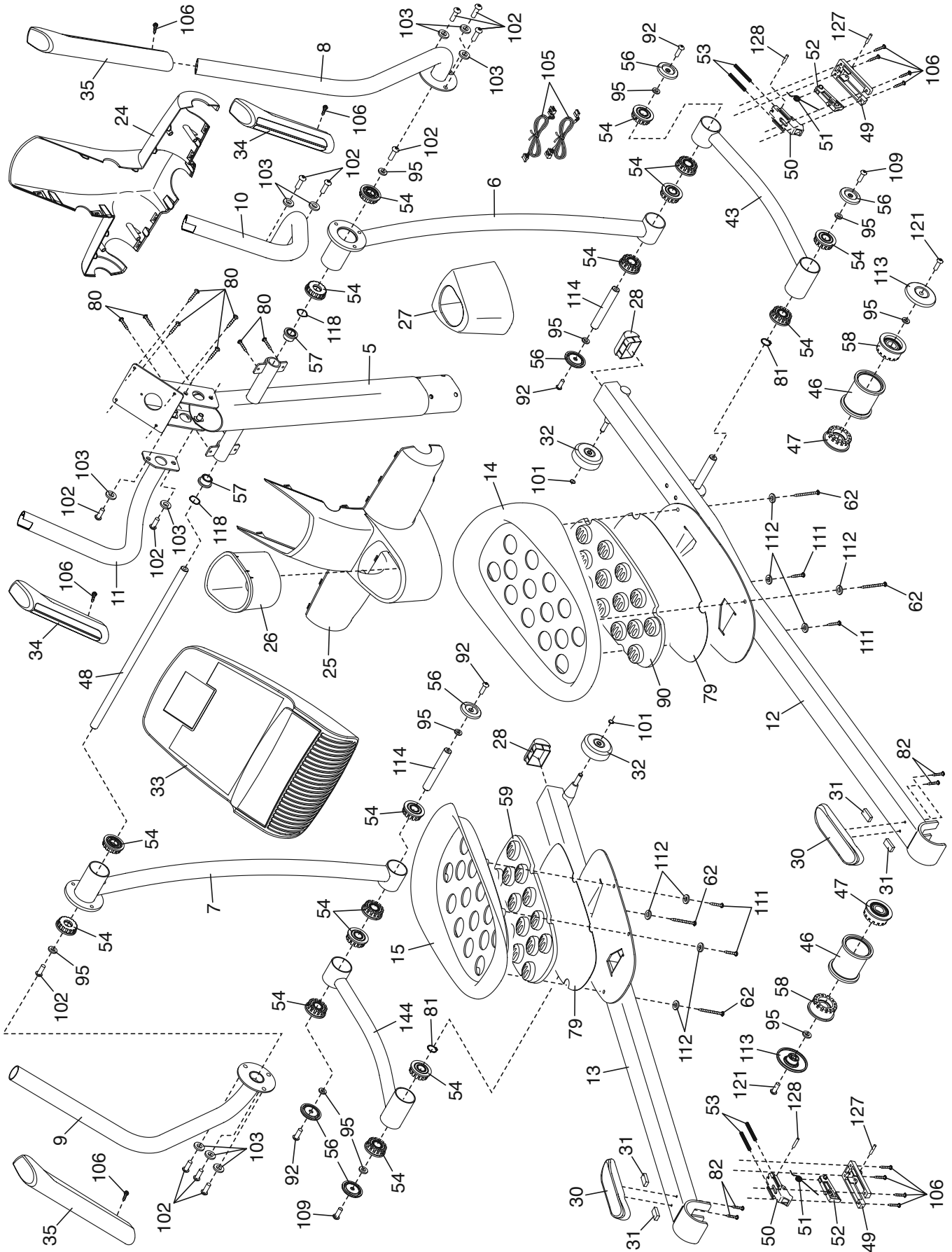


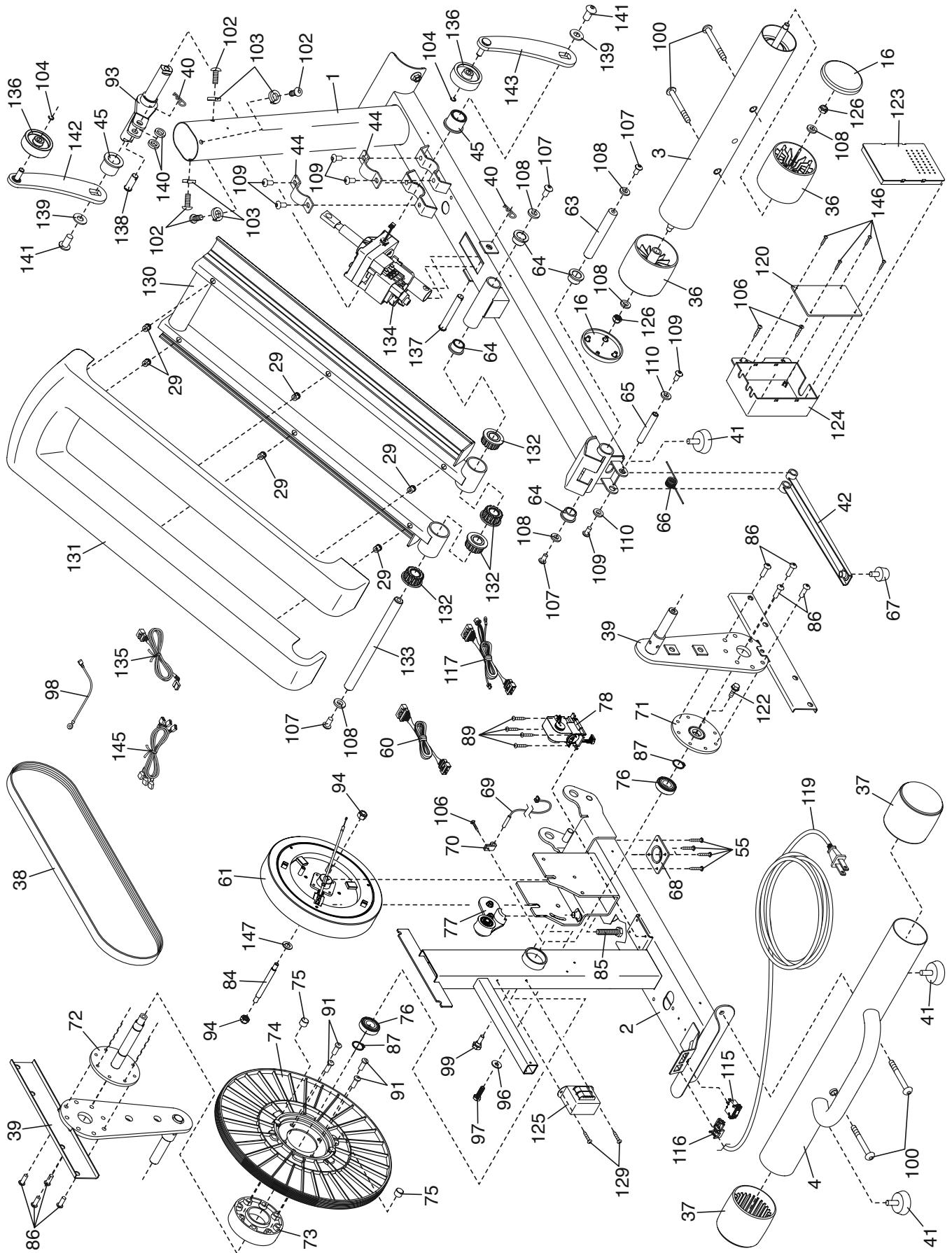
# EXPLODED DRAWING A

Model No. PFEL18010.5 R0412B



# EXPLODED DRAWING B

Model No. PFEL18010.5 R0412B



# EXPLODED DRAWING C

Model No. PFEL18010.5 R0412B

