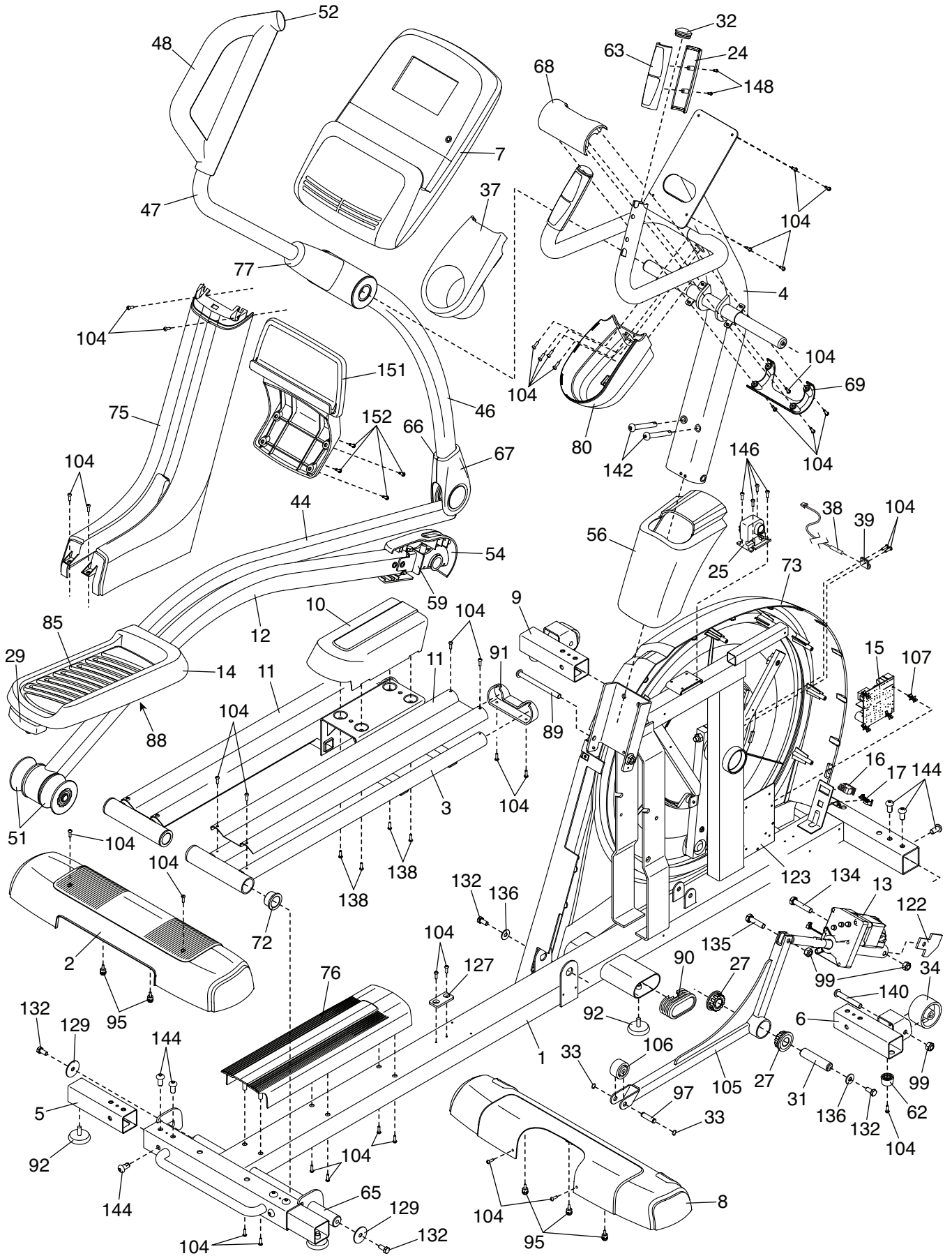


EXPLODED DRAWING A

Model No. PFEL21614.2 R0915A



EXPLODED DRAWING B

Model No. PFEL21614.2 R0915A

