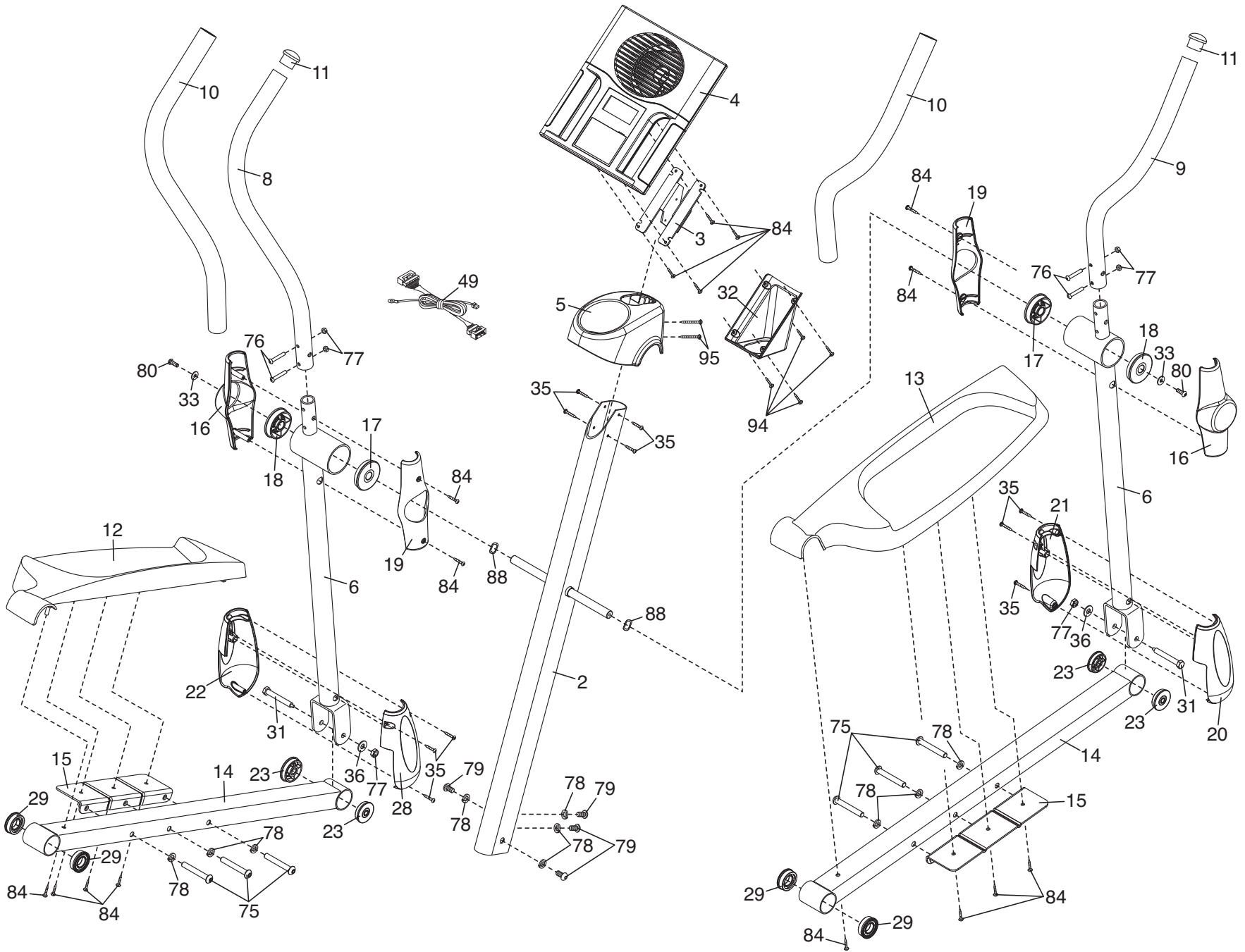


**EXPLODED DRAWING A—Model No. PFEL53408.0**

R0508A



**EXPLODED DRAWING B—Model No. PFEL53408.0**

R0508A

