

PART LIST

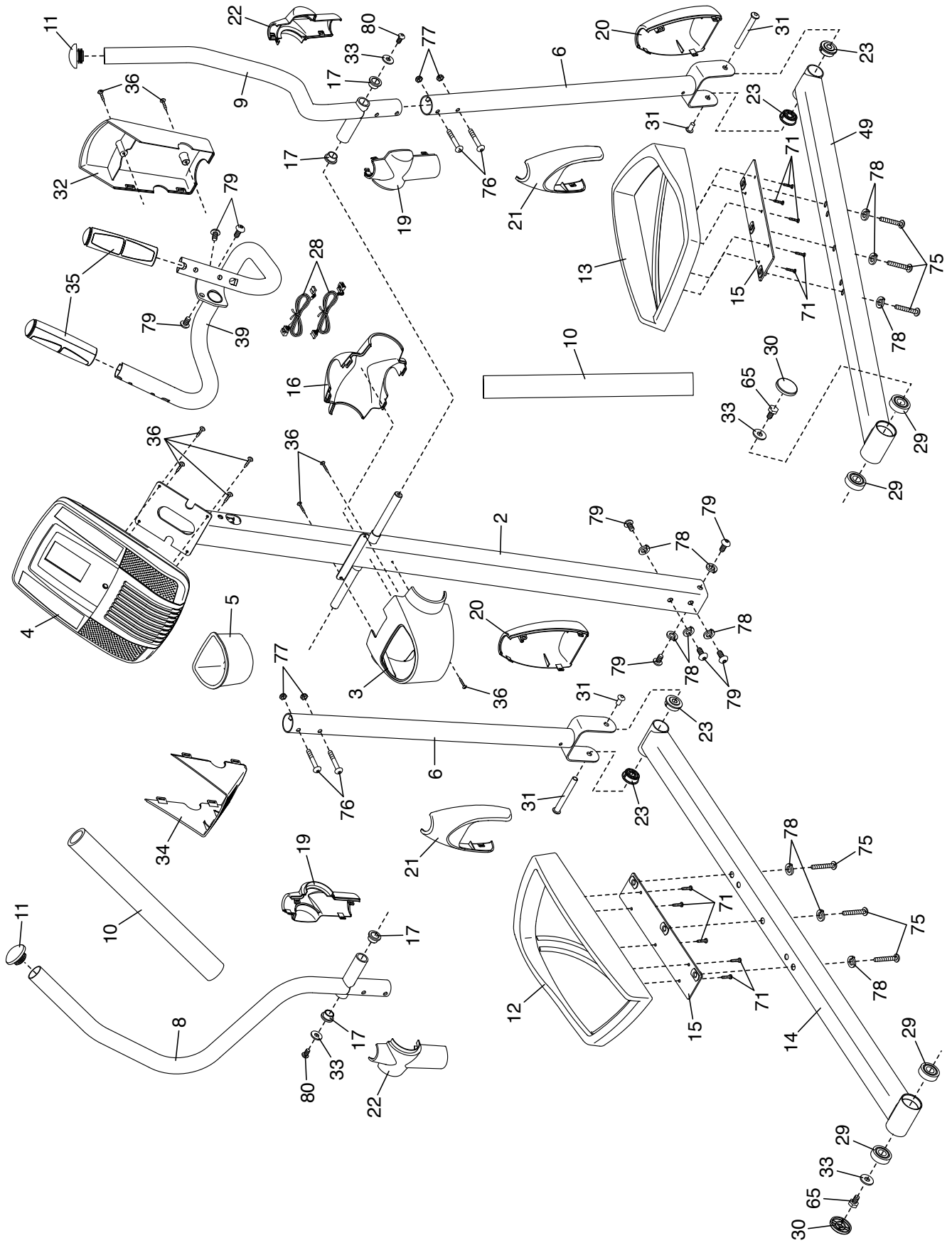
Model No. PFEL53911.7 R0713A

Key No.	Qty.	Description	Key No.	Qty.	Description
1	1	Frame	44	1	Left Shield
2	1	Upright	45	1	Right Shield
3	1	Rear Upright Cover	46	1	Drive Belt
4	1	Console	47	2	Leveling Foot
5	1	Accessory Tray	48	2	Stabilizer Cap
6	2	Upper Body Leg	49	1	Right Pedal Arm
7	1	Left Crank Arm	50	2	Wheel
8	1	Left Upper Body Arm	51	1	Eddy Mechanism
9	1	Right Upper Body Arm	52	1	Idler
10	2	Foam Grip	53	1	M4 x 16mm Ground Screw
11	2	Upper Body Arm Cap	54	1	Resistance Motor
12	1	Left Pedal	55	4	M8 x 15mm Screw
13	1	Right Pedal	56	1	Pivot Screw
14	1	Left Pedal Arm	57	1	Reed Switch Clamp
15	2	Pedal Bracket	58	1	Reed Switch/Wire
16	1	Front Upright Cover	59	4	M8 x 10mm Screw
17	4	Pivot Bushing	60	1	Key
18	10	Pedal Disc Mount	61	1	M8 Locknut
19	2	Pivot Cover A	62	1	M6 x 16mm Screw
20	2	Front Leg Cover	63	2	Shoulder Screw
21	2	Rear Leg Cover	64	1	Pulley
22	2	Pivot Cover B	65	2	M8 x 18mm Screw
23	4	Pedal Arm Bushing	66	1	Idler Bolt
24	1	Crank	67	1	Key Screw
25	1	Right Crank Arm	68	1	Crank Arm Bolt
26	2	Pedal Disc	69	4	Resistance Motor Bolt
27	1	Crank Spacer	70	1	Rear Stabilizer
28	2	Wire	71	10	#10 x 13mm Screw
29	4	Bearing	72	1	Drive Belt Adjustment Screw
30	2	Pedal Arm Cap	73	1	Front Stabilizer
31	2	Bolt Set	74	2	M4 x 12mm Self-tapping Screw
32	1	Front Console Cover	75	6	M10 x 45mm Screw
33	4	M8 Washer	76	4	M8 x 45mm Bolt
34	1	Rear Console Cover	77	6	M8 Jam Nut
35	2	Pulse Grip/Sensor Wire	78	11	M10 Split Washer
36	20	M4 x 16mm Screw	79	8	M10 x 20mm Screw
37	1	Shield Cover	80	2	M8 x 20mm Screw
38	2	Crank Bearing	81	4	M10 x 85mm Screw
39	1	Handlebar	82	2	Mechanism Spacer
40	2	Crank Spacer	*	—	Assembly Tool
41	2	Magnet	*	—	Grease Packet
42	1	Main Wire	*	—	User's Manual
43	2	M6 Washer			

Note: Specifications are subject to change without notice. For information about ordering replacement parts, see the back cover of this manual. *These parts are not illustrated.

EXPLODED DRAWING A

Model No. PFEL53911.7 R0713A



EXPLODED DRAWING B

Model No. PFEL53911.7 R0713A

