

PART LIST—Model No. PFEL54807.0

R1107A

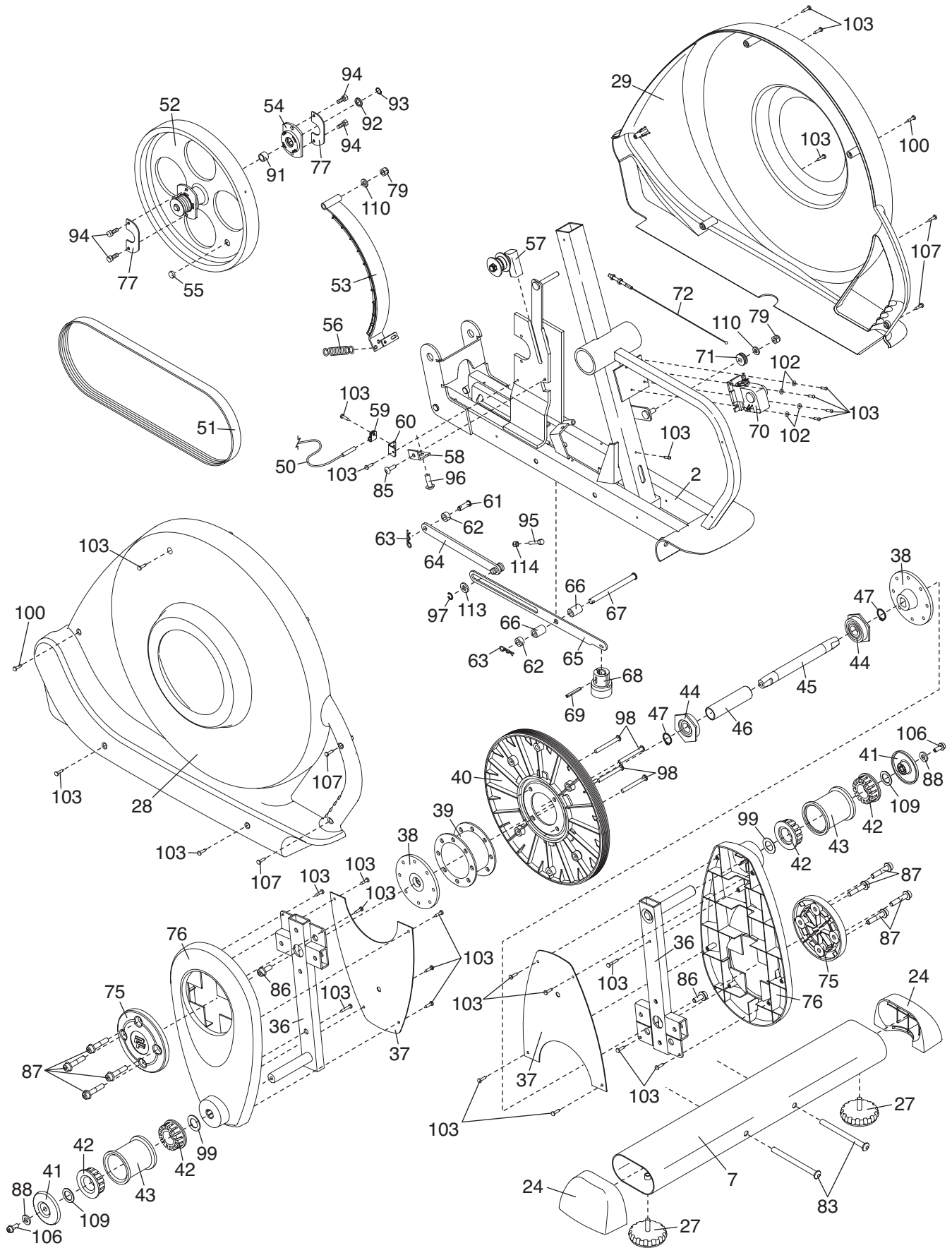
Key No.	Qty.	Description	Key No.	Qty.	Description
1	1	Base	46	1	Crank Spacer
2	1	Frame	47	2	Crank Snap Ring
3	1	Upright	48	1	Upper Wire Harness
4	1	Console Bracket	49	1	Lower Wire Harness
5	1	Console	50	1	Reed Switch/Wire
6	1	Front Stabilizer	51	1	Belt
7	1	Rear Stabilizer	52	1	Flywheel
8	1	Left Handlebar	53	1	“C” Magnet
9	1	Right Handlebar	54	1	Pillow Block
10	2	Handlebar Endcap	55	1	Magnet
11	1	Left Upper Body Arm	56	1	Spring
12	1	Right Upper Body Arm	57	1	Idler
13	1	Left Pedal	58	1	Idler Bracket
14	1	Left Pedal Leg	59	1	Clamp
15	1	Right Pedal	60	1	Reed Switch Bracket
16	1	Right Pedal Leg	61	1	Base Pin
17	2	Upright Cover	62	2	Latch Bracket Spacer
18	1	Left Front Handlebar Cover	63	2	Hairpin Cotter Pin
19	1	Left Rear Handlebar Cover	64	1	Latch Bracket
20	1	Right Front Handlebar Cover	65	1	Pivot Bracket
21	1	Right Rear Handlebar Cover	66	2	Pivot Bracket Spacer
22	1	Water Bottle Holder	67	1	Frame Pin
23	2	Front Stabilizer Endcap	68	1	Latch Button
24	2	Rear Stabilizer Endcap	69	1	Roll Pin
25	2	Wheel	70	1	Motor
26	1	Base Foot	71	1	Resistance Cable Pulley
27	2	Leveling Foot	72	1	Resistance Cable Set
28	1	Left Side Shield	73	2	Foam Grip
29	1	Right Side Shield	74	1	Pivot Axle
30	6	Upper Body Bushing	75	2	Hub Cover
31	4	Pedal Leg Cover	76	2	Outer Crank Cover
32	2	Pedal Leg Axle	77	2	Flywheel Bracket
33	4	Pedal Leg Bushing	78	4	M8 x 41mm Button Bolt
34	1	Base Axle	79	7	M8 Jamnut
35	2	Base Bushing	80	1	M8 x 69mm Button Bolt
36	2	Crank Arm	81	4	M10 Nylon Locknut
37	2	Inner Crank Cover	82	2	M10 x 80mm Carriage Bolt
38	2	Crank Hub	83	2	M10 x 127mm Button Screw
39	1	Pulley Spacer	84	6	M8 x 23mm Button Screw
40	1	Pulley	85	1	M6 x 10mm Button Screw
41	2	Crank Bushing Cover	86	2	Crank Screw
42	4	Crank Bushing	87	8	Hub Screw
43	2	Crank Bushing Sleeve	88	10	M8 Washer
44	2	Crank Bearing Set	89	2	M10 x 60mm Button Screw
45	1	Crank	90	3	M8 Split Washer

Key No.	Qty.	Description	Key No.	Qty.	Description
91	1	Flywheel Spacer	105	6	M4 x 32mm Round Head Screw
92	1	Flywheel Washer	106	2	M8 x 31mm Shoulder Screw
93	1	Flywheel Snap Ring	107	4	M4 x 12mm Screw
94	4	Pillow Block Screw	108	2	M4 x 45mm Screw
95	1	Stop Screw	109	2	Large Wave Washer
96	1	M8 x 35mm Screw	110	2	M8 Small Washer
97	1	"E" Clip	111	2	Wave Washer
98	4	Pulley Screw	112	8	Star Washer
99	2	Crank Washer	113	1	M10 Washer
100	2	M4 x 25mm Screw	114	1	M6 Nut
101	8	M4 x 16mm Round Head Screw	115	4	M8 x 23mm Shoulder Screw
102	4	Motor Washer	*	–	Hex Key
103	27	M4 x 16mm Screw	*	–	Grease Packet
104	8	M4 x 14mm Screw	*	–	User's Manual

Note: Specifications are subject to change without notice. See the back cover of this manual for information about ordering replacement parts. *These parts are not illustrated.

EXPLODED DRAWING B—Model No. PFEL54807.0

R1107A



EXPLODED DRAWING A—Model No. PFEL54807.0

R1107A

