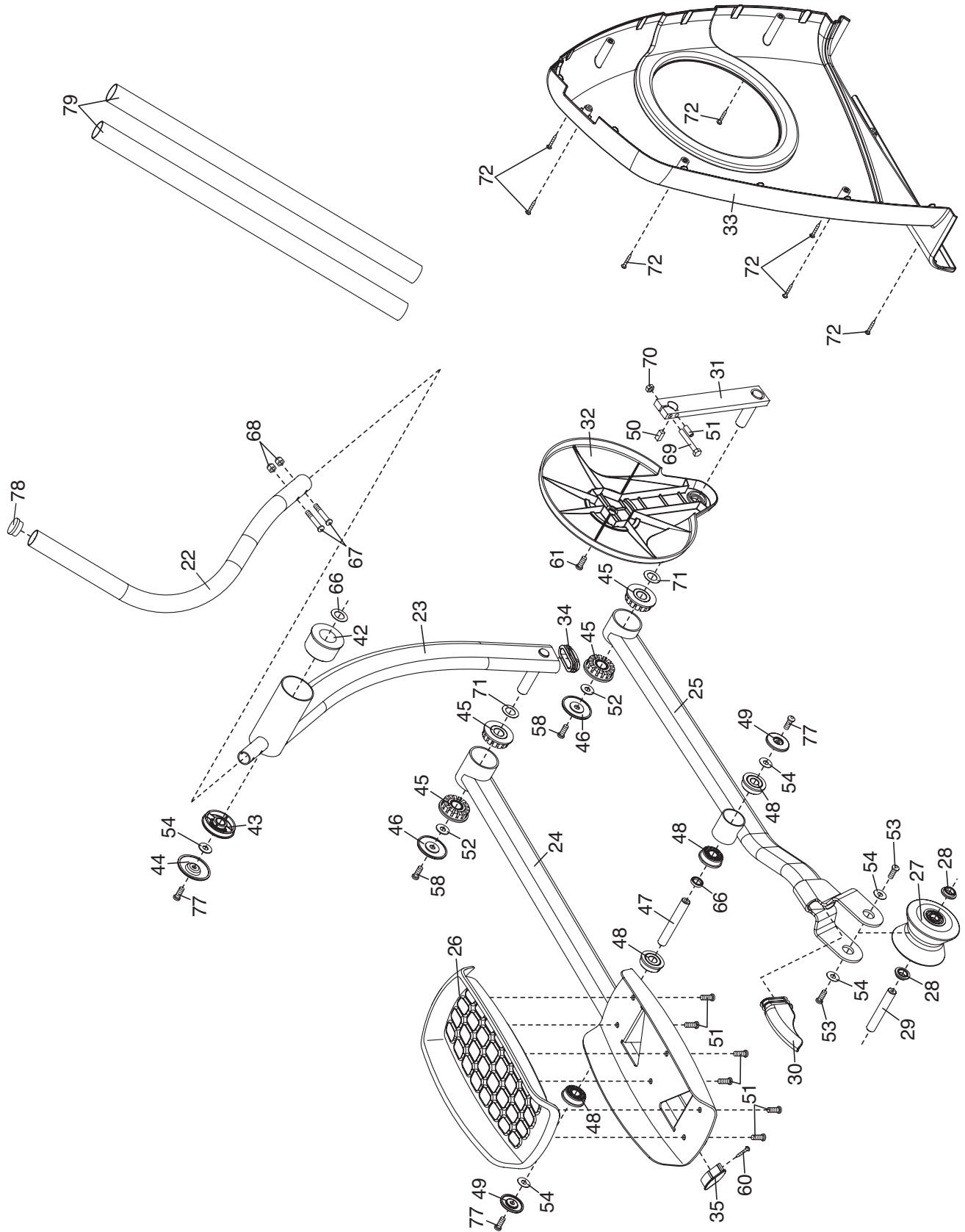


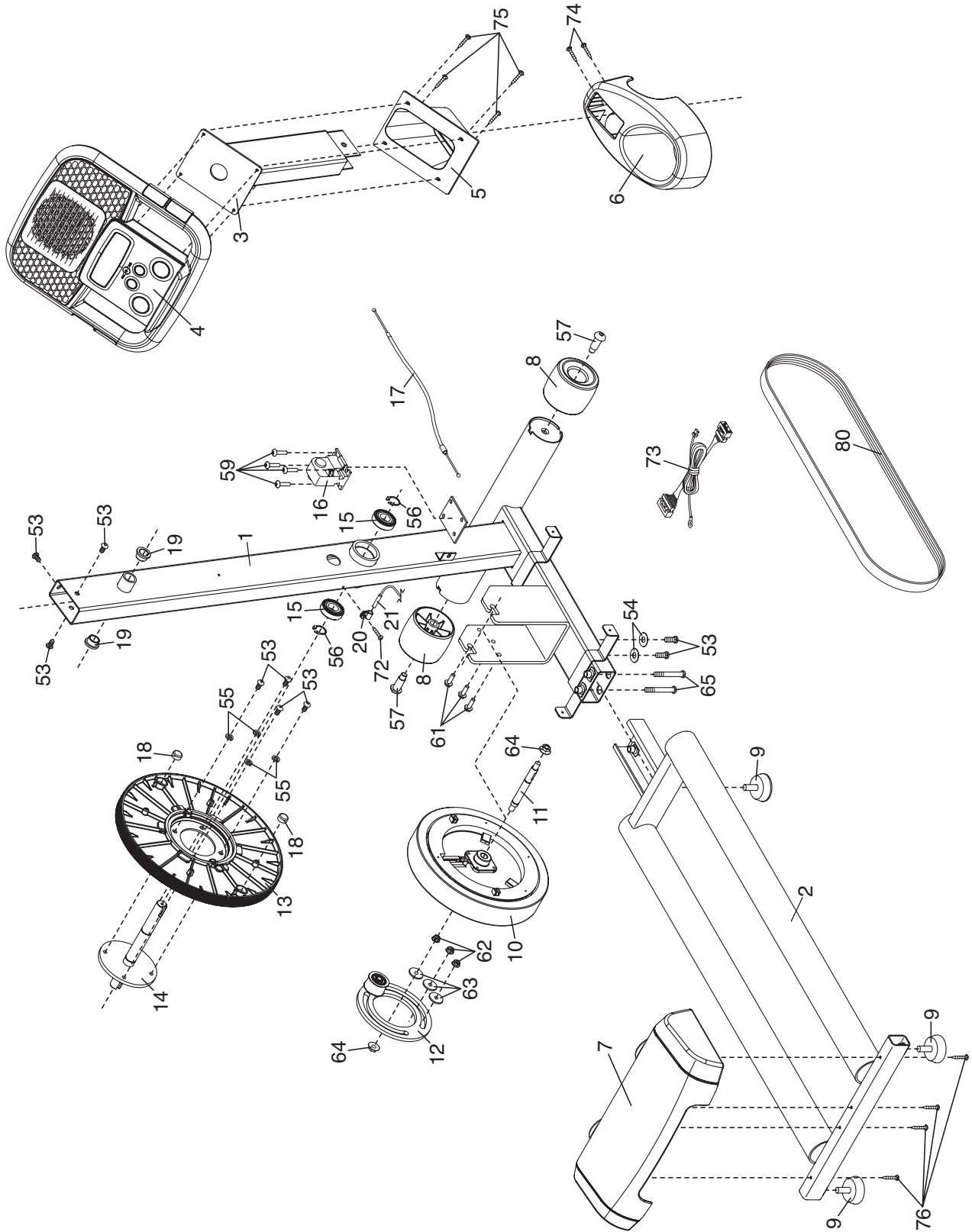
EXPLODED DRAWING A—Model No. PFEL54907.0

R0807B



EXPLODED DRAWING B—Model No. PFEL54907.0

R0807B



EXPLODED DRAWING C—Model No. PFEL54907.0

R0807B

