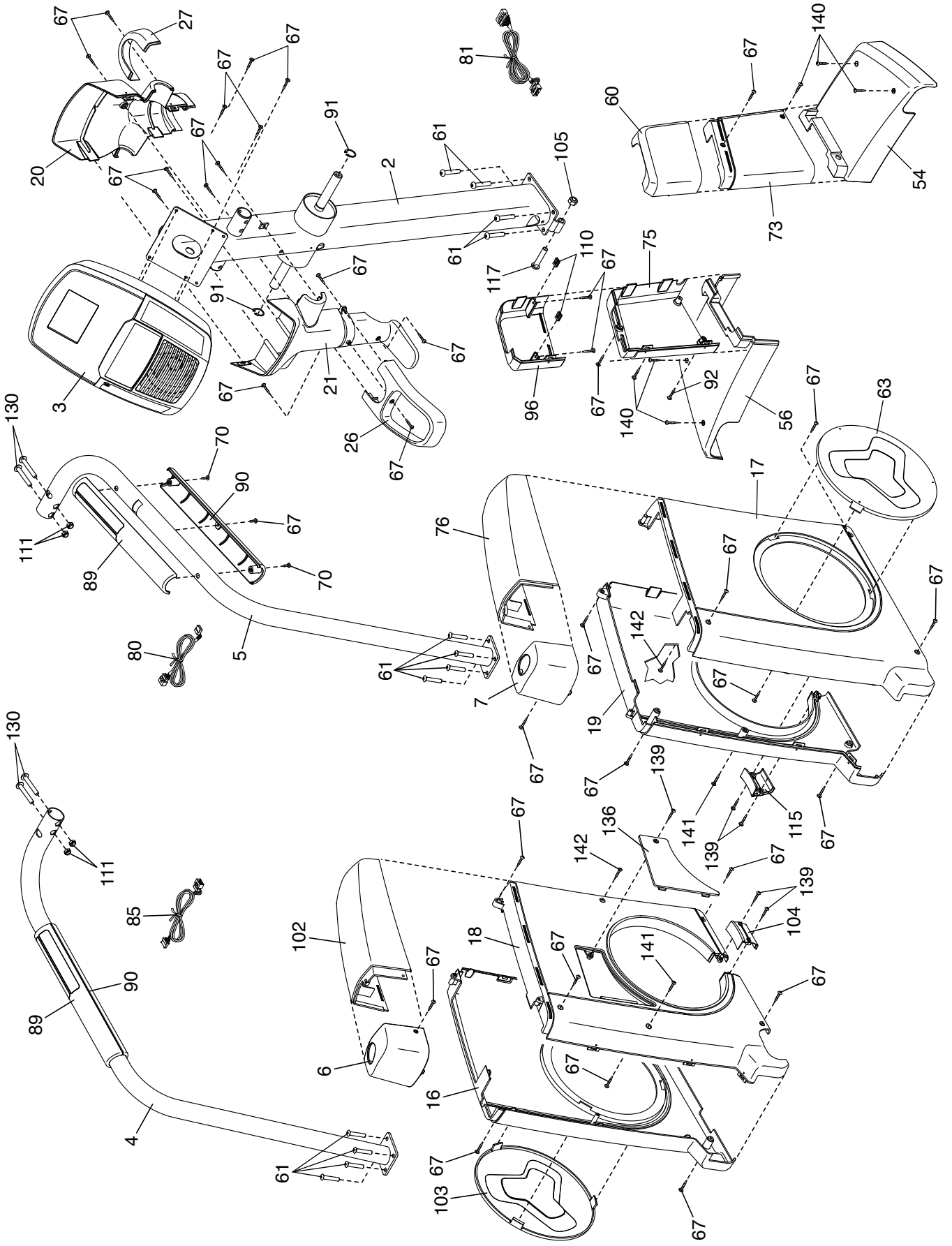


EXPLODED DRAWING B

Model No. PFEL59915.1 R0916A



EXPLODED DRAWING C

Model No. PFEL59915.1 R0916A

