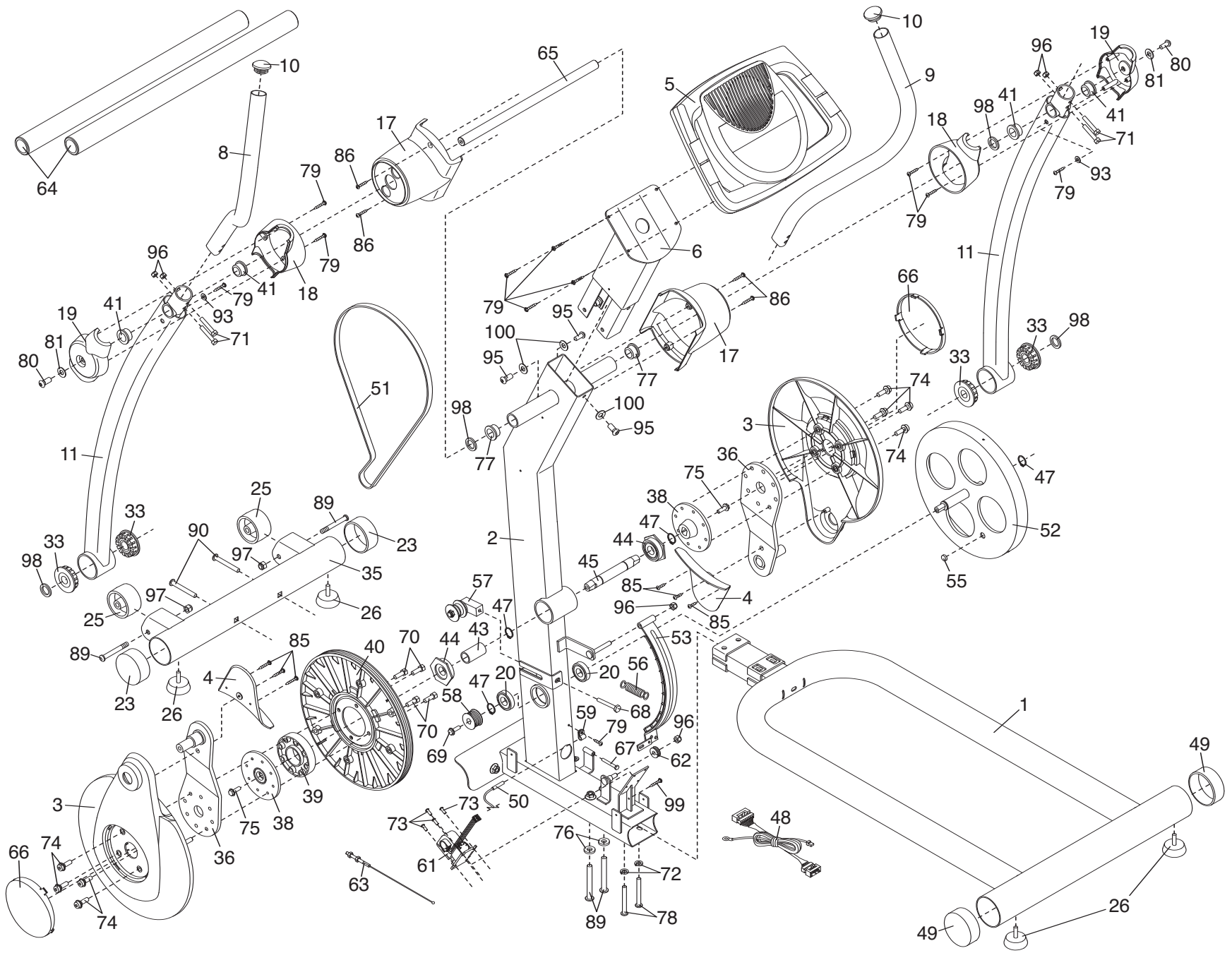


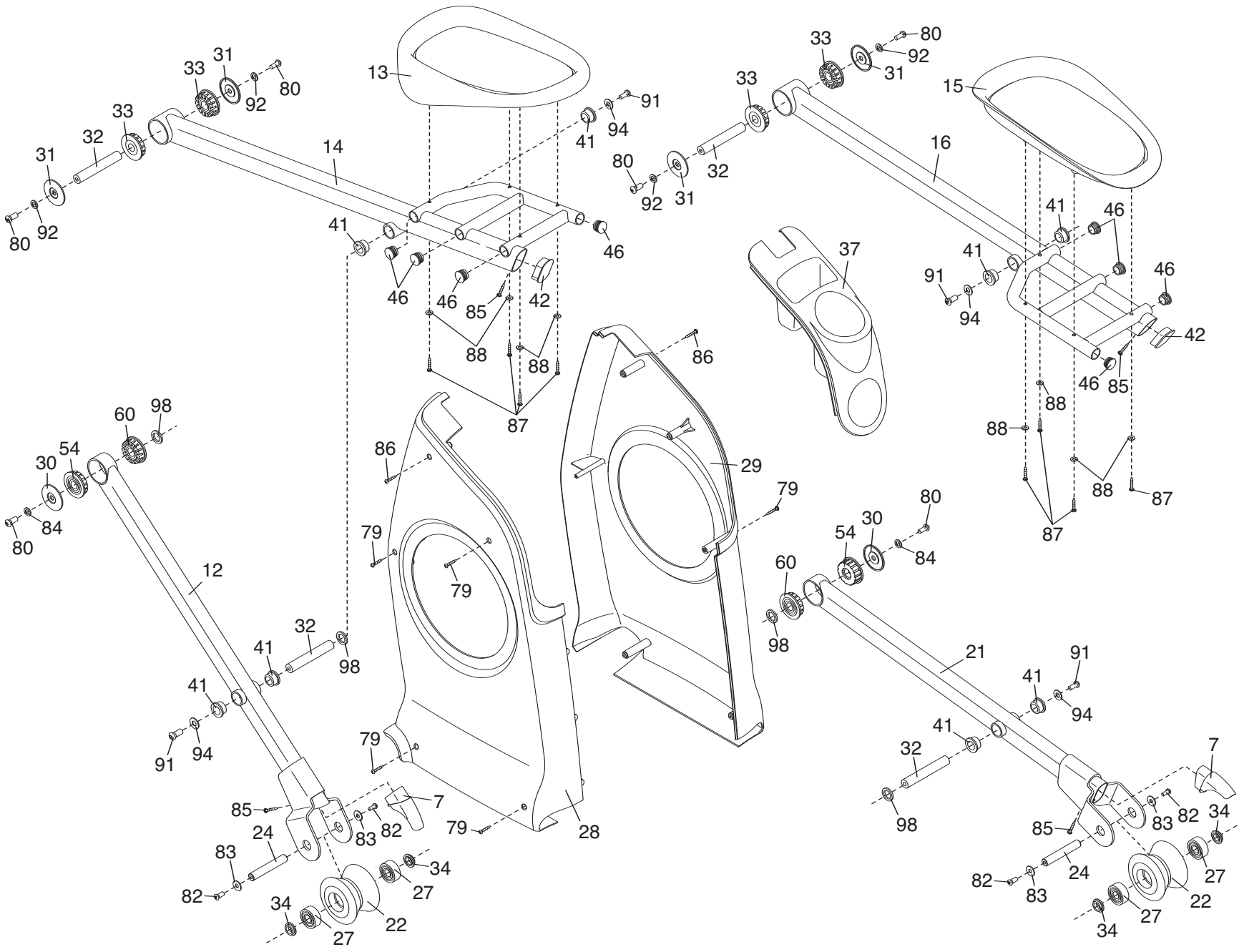
EXPLODED DRAWING A—Model No. PFEL75907.0

R0407A



EXPLODED DRAWING B—Model No. PFEL75907.0

R0407A



27