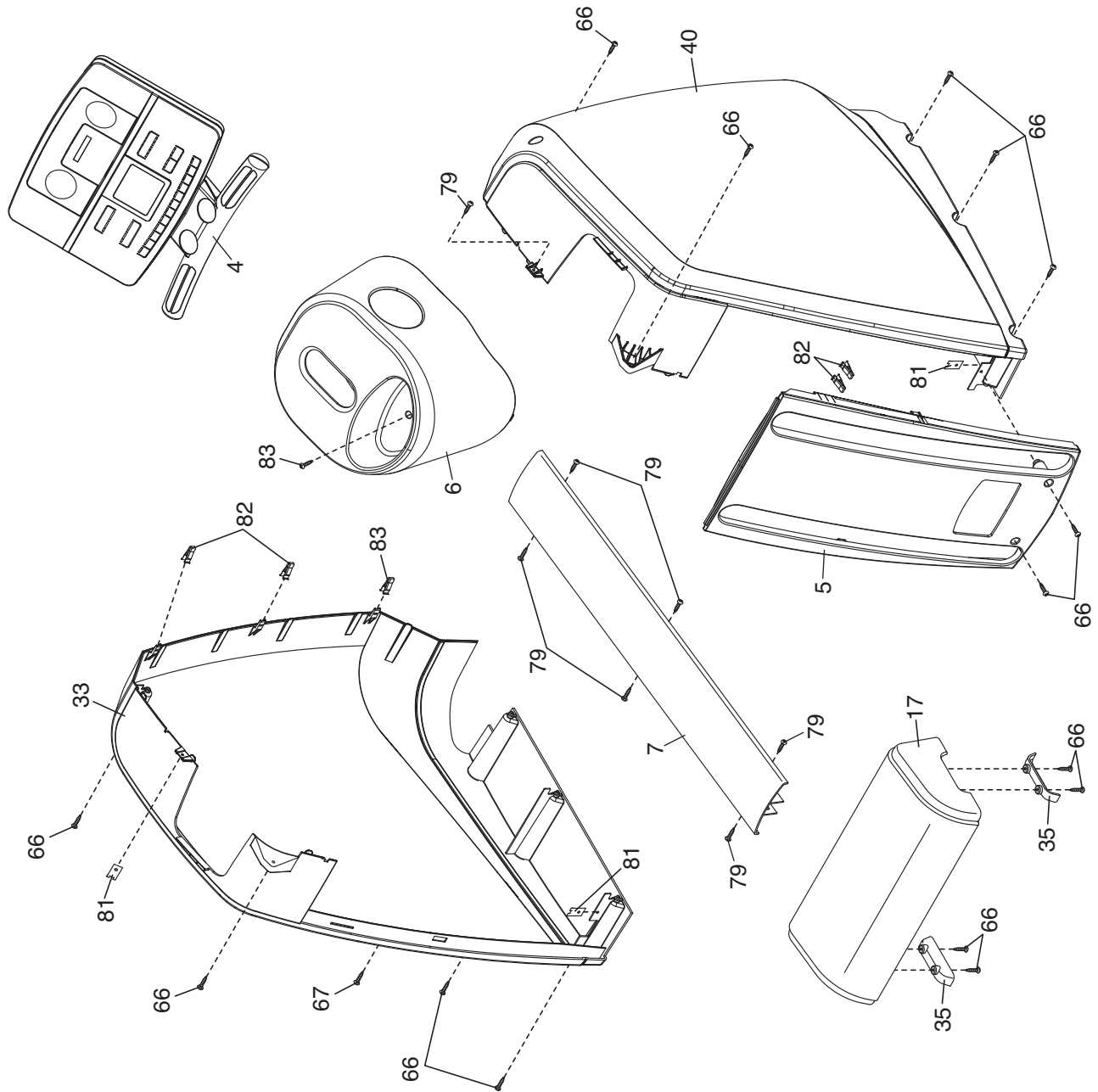


EXPLODED DRAWING A—Model No. PFEL77807.1

R0808A



EXPLODED DRAWING B – Model No. PFEL77807.1

R0808A

