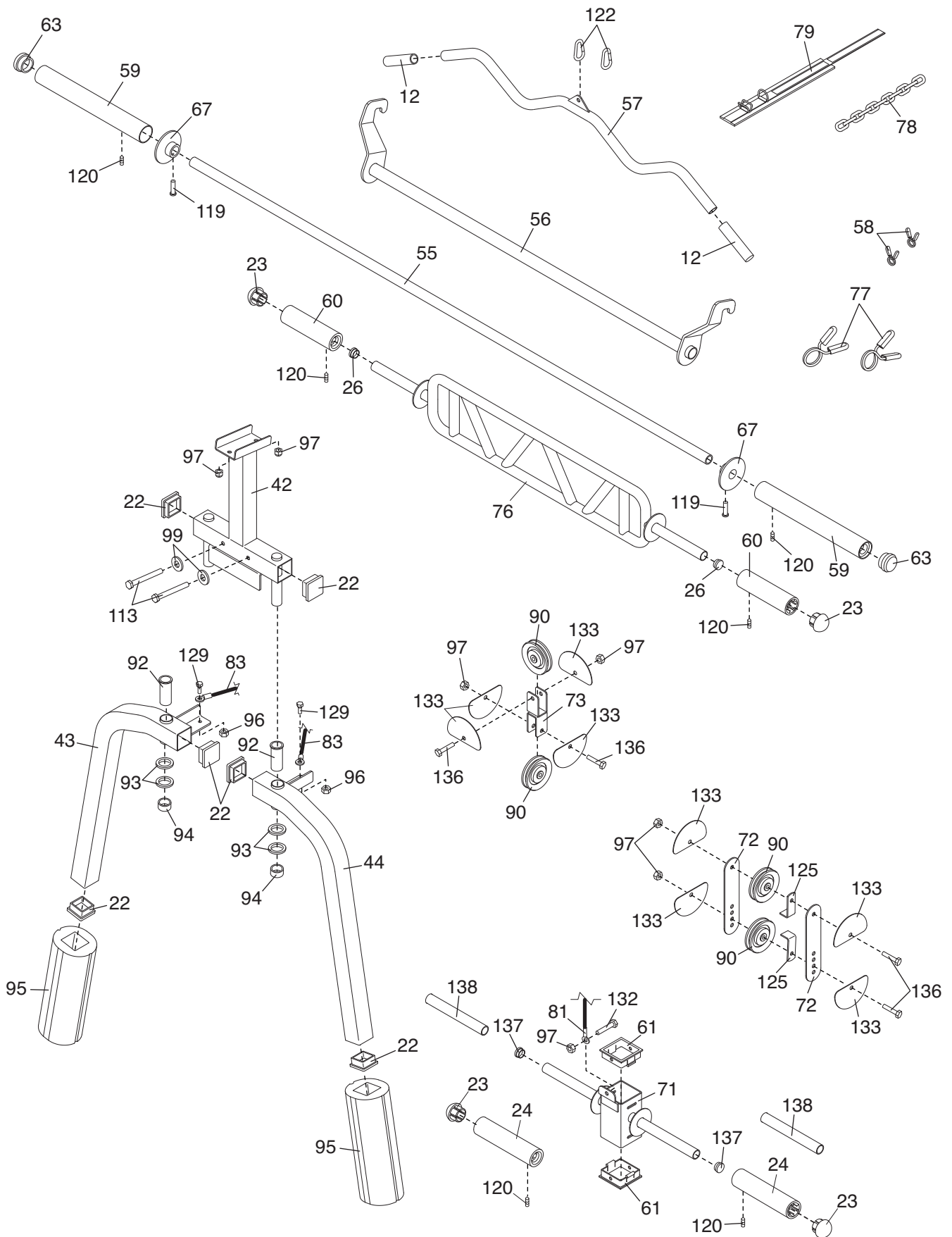


# EXPLODED DRAWING C—Model No. PFEVBE4805.0

R1005A





# EXPLODED DRAWING A—Model No. PFEVBE4805.0

R1005A

