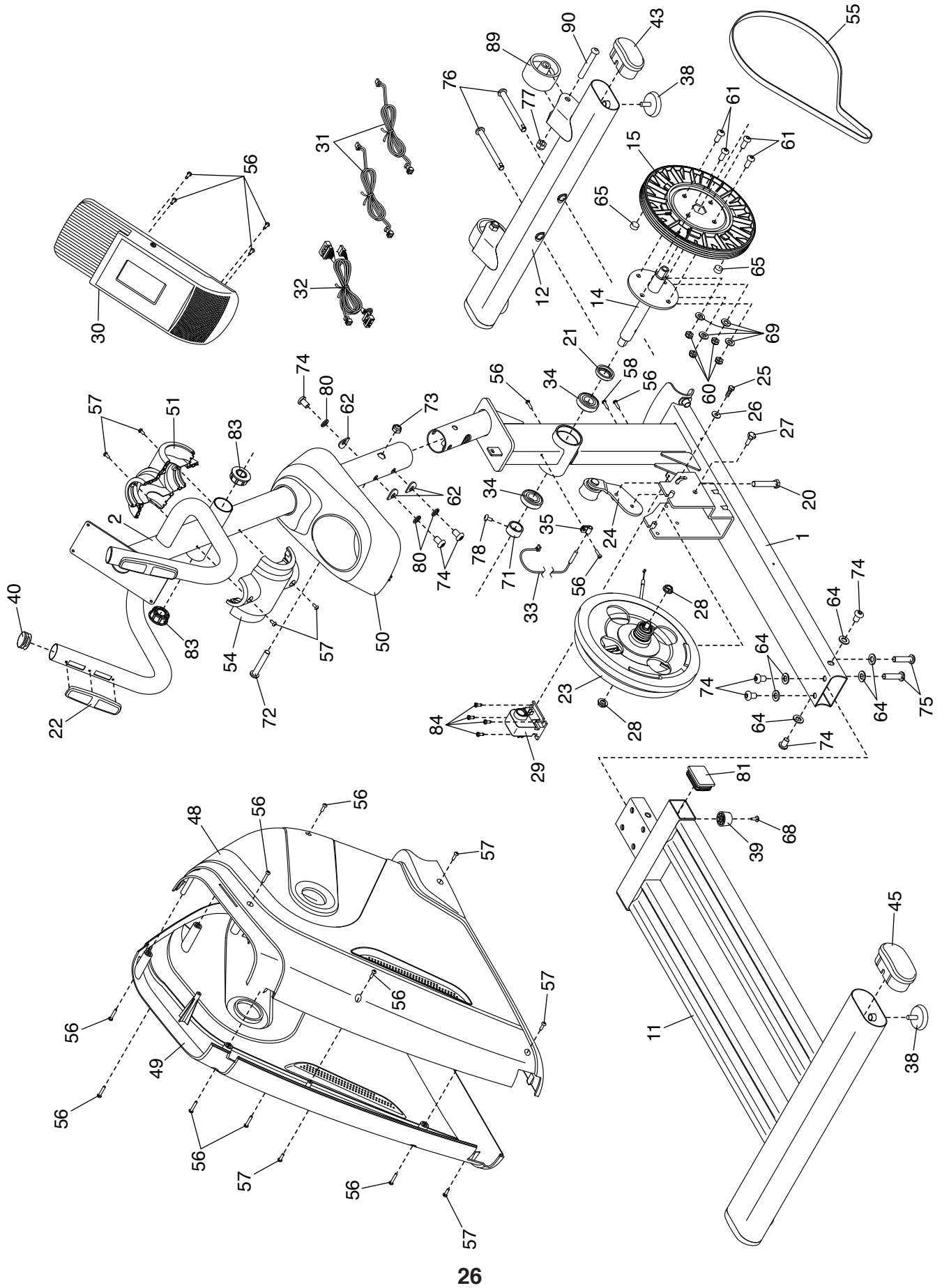


EXPLODED DRAWING A

Model No. PFEVEL39716.1 R1017A



EXPLODED DRAWING B

Model No. PFEVEL39716.1 R1017A

