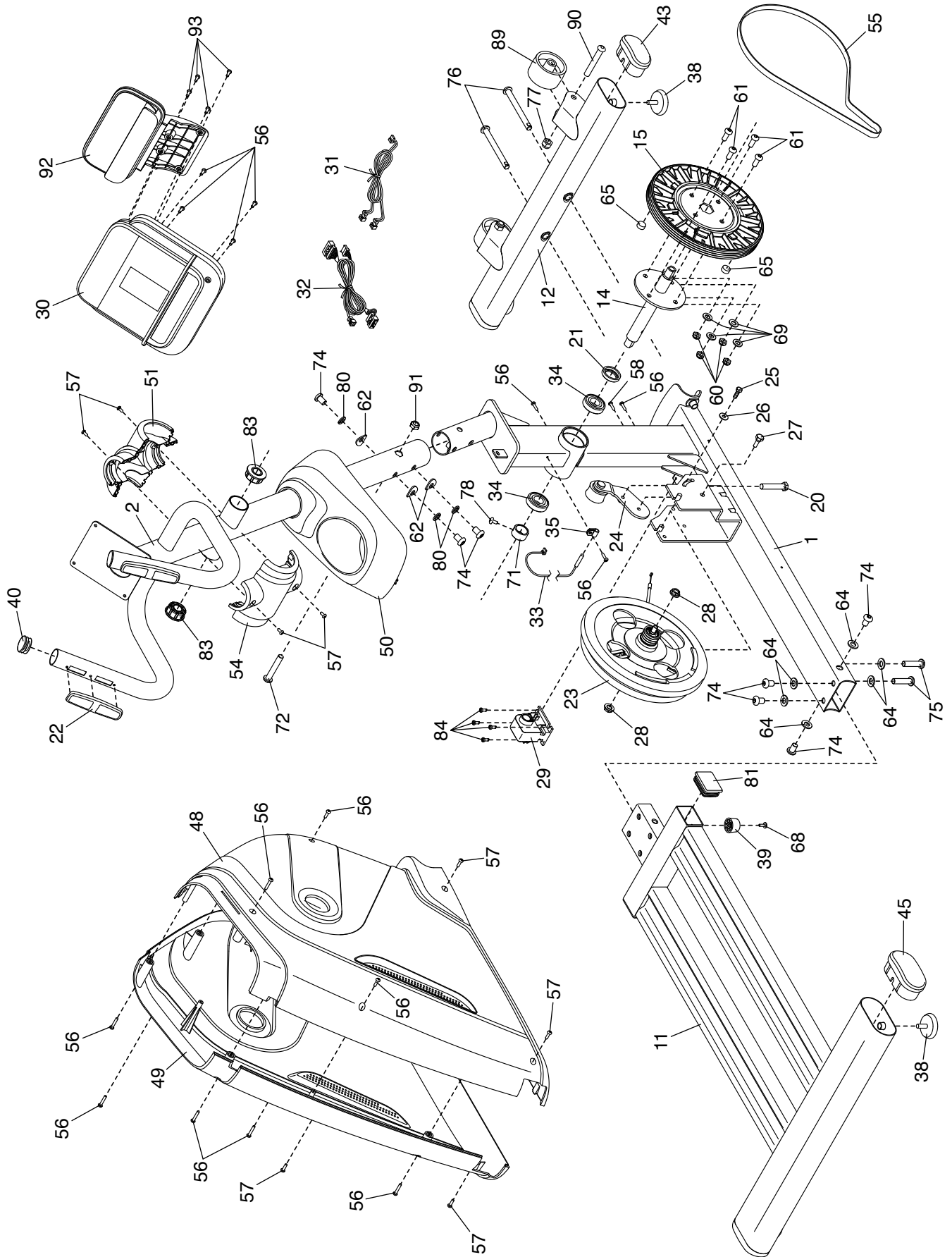


# EXPLODED DRAWING A

Model No. PFEVEL39717.0 R0718A



# EXPLODED DRAWING B

Model No. PFEVEL39717.0 R0718A

