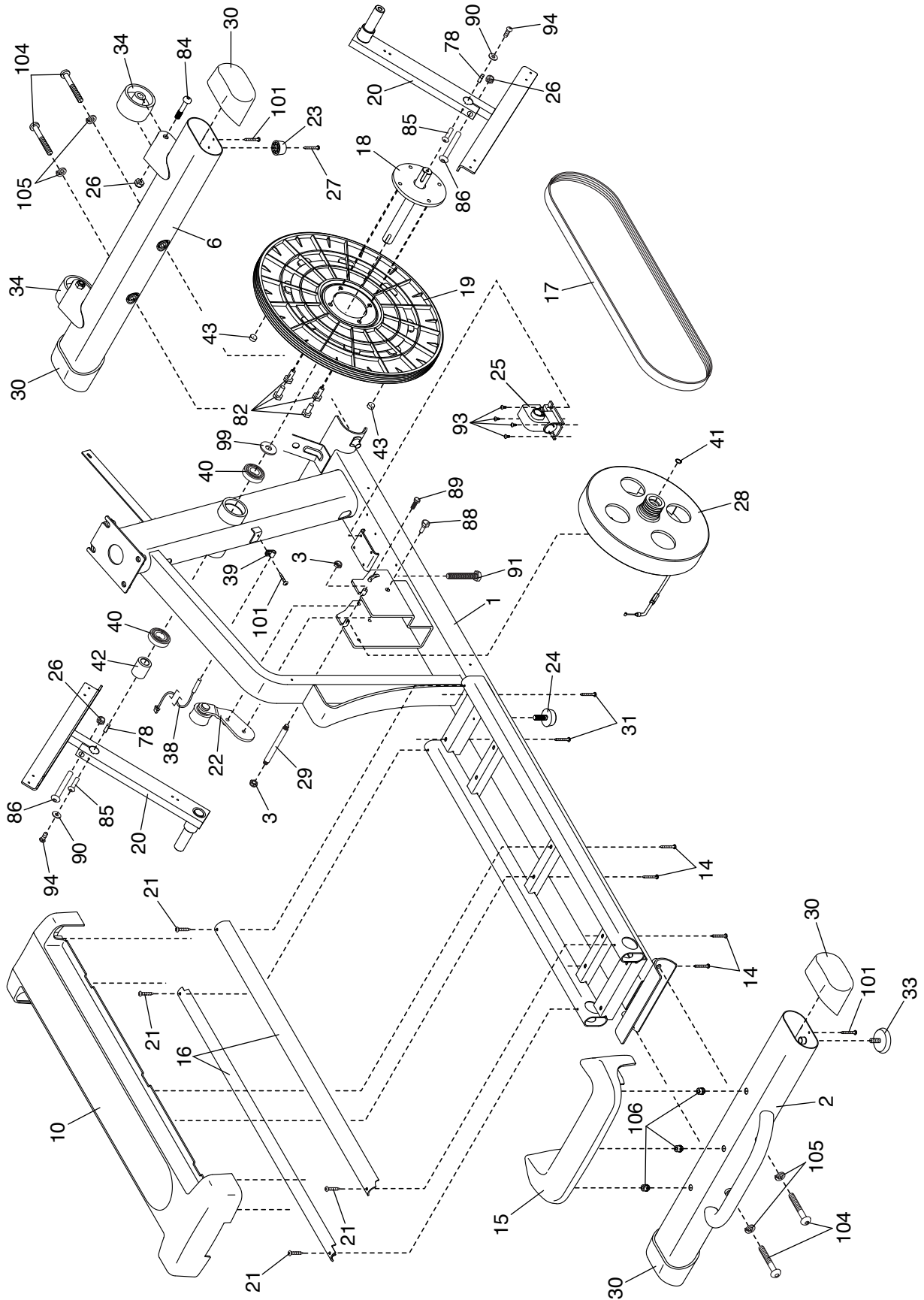


EXPLODED DRAWING A

Model No. PFEVEL49717.1 R0717A



EXPLODED DRAWING C

Model No. PFEVEL49717.1 R0717A

