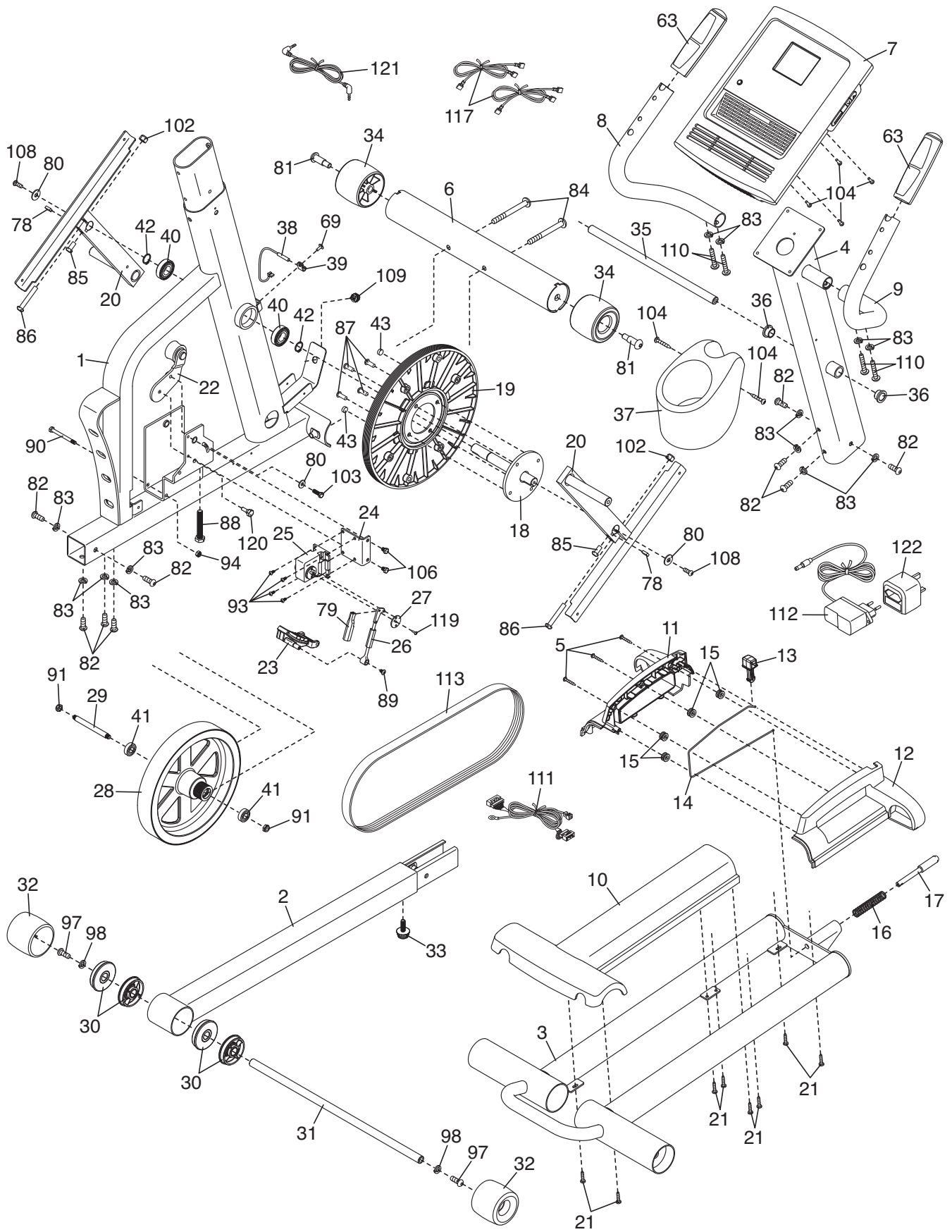
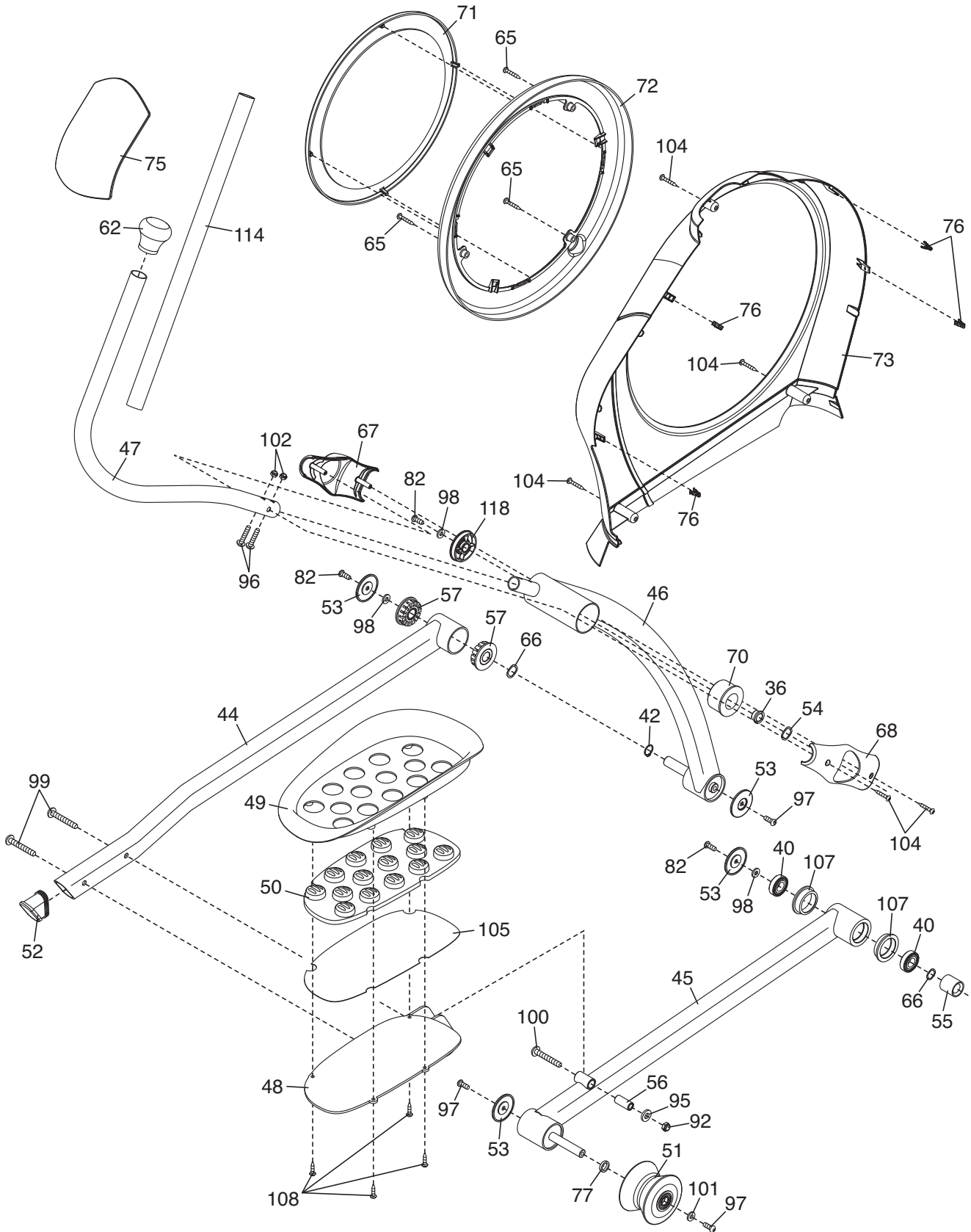


EXPLODED DRAWING A—Model No. PFEVEL96010.0 R0710A



EXPLODED DRAWING B—Model No. PFEVEL96010.0 R0710A



EXPLODED DRAWING C—Model No. PFEVEL96010.0 R0710A

