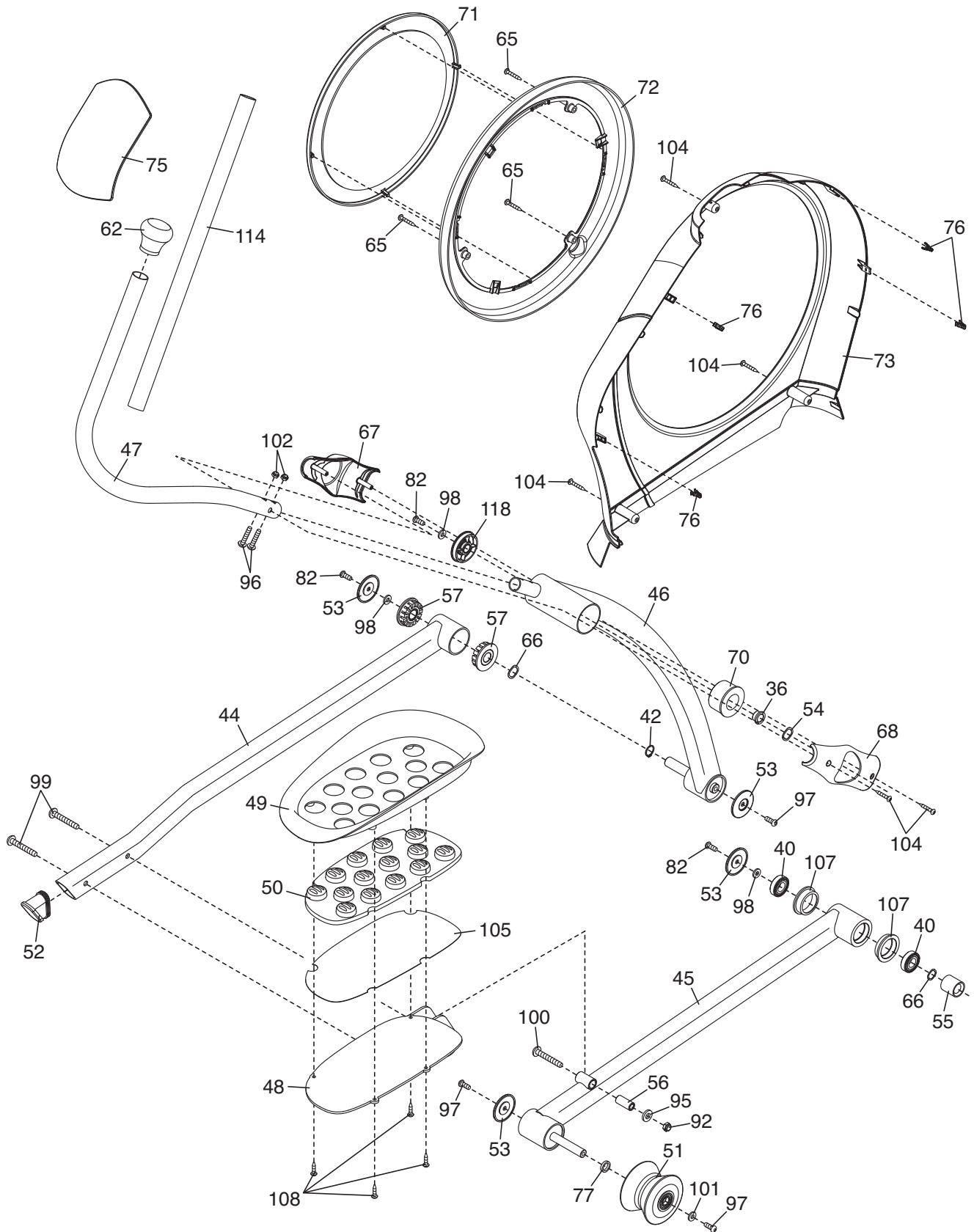


EXPLODED DRAWING B

Model No. PFEVEL96010.1 R0311B



EXPLODED DRAWING C

Model No. PFEVEL96010.1 R0311B

