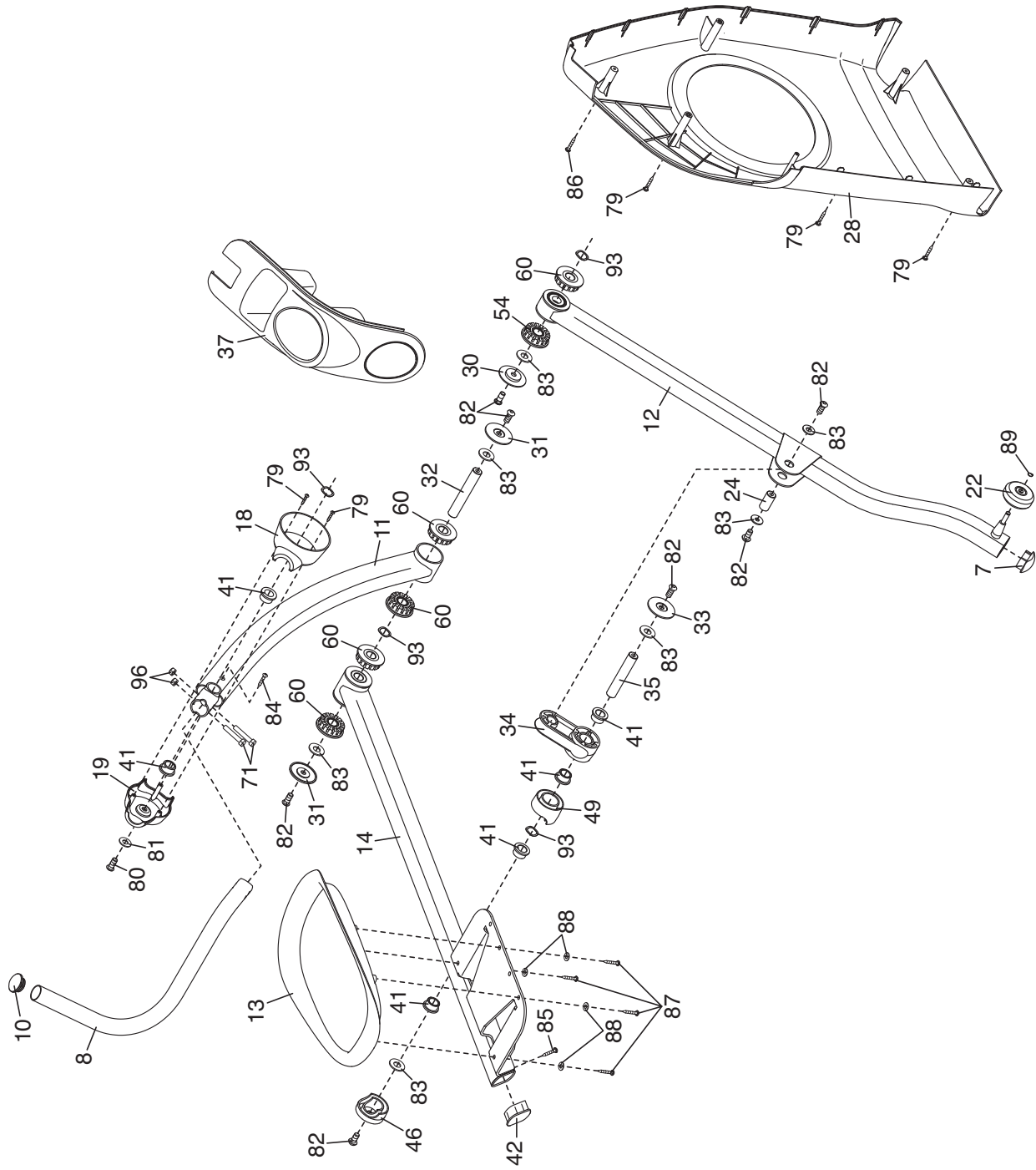


EXPLODED DRAWING A—Model No. PFEVEL96107.0 R0108A



EXPLODED DRAWING C—Model No. PFEVEL96107.0 R0108A

