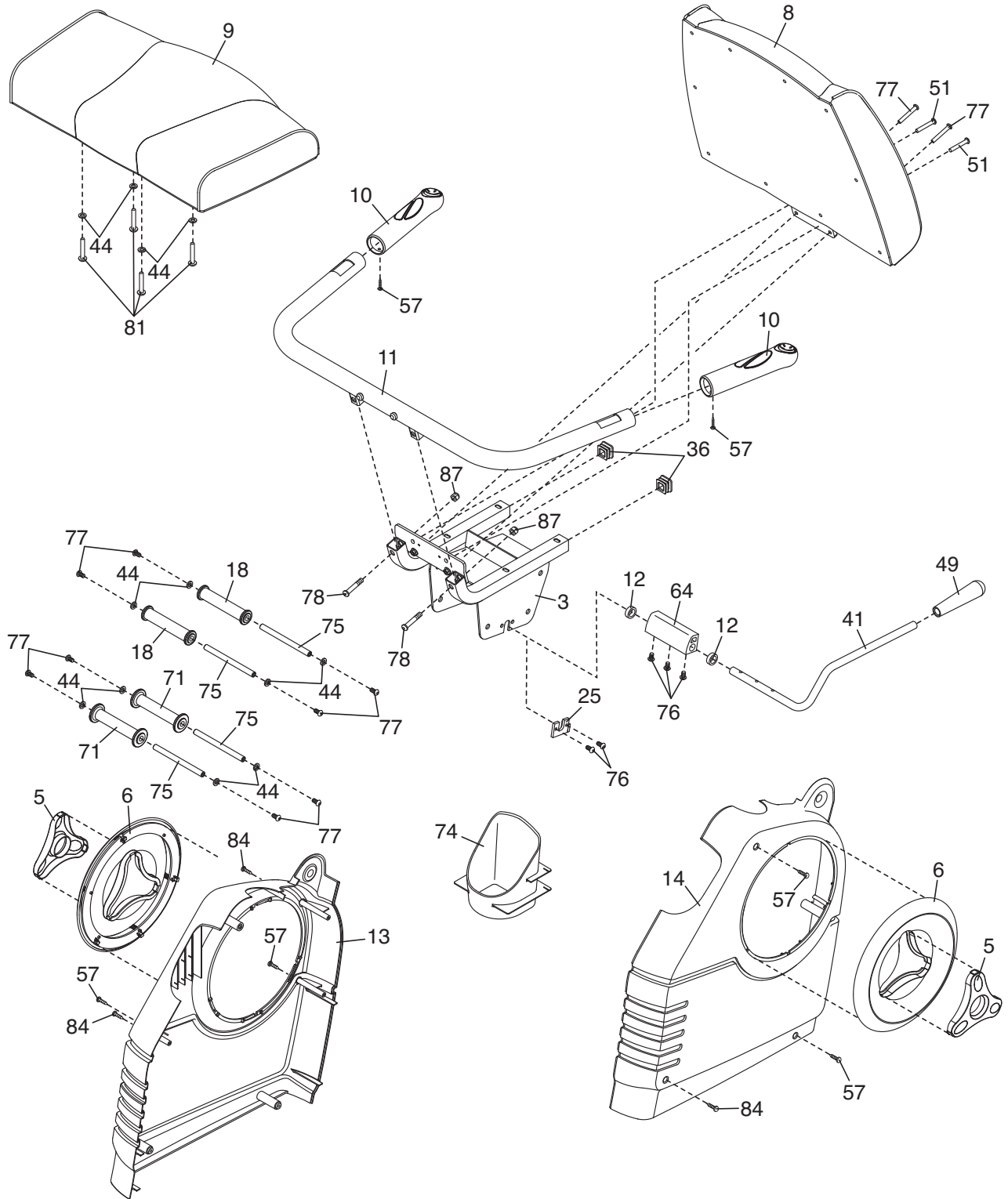


# EXPLODED DRAWING A—Model No. PFEX02309.0

R0910A



# EXPLODED DRAWING B—Model No. PFEX02309.0

R0910A

