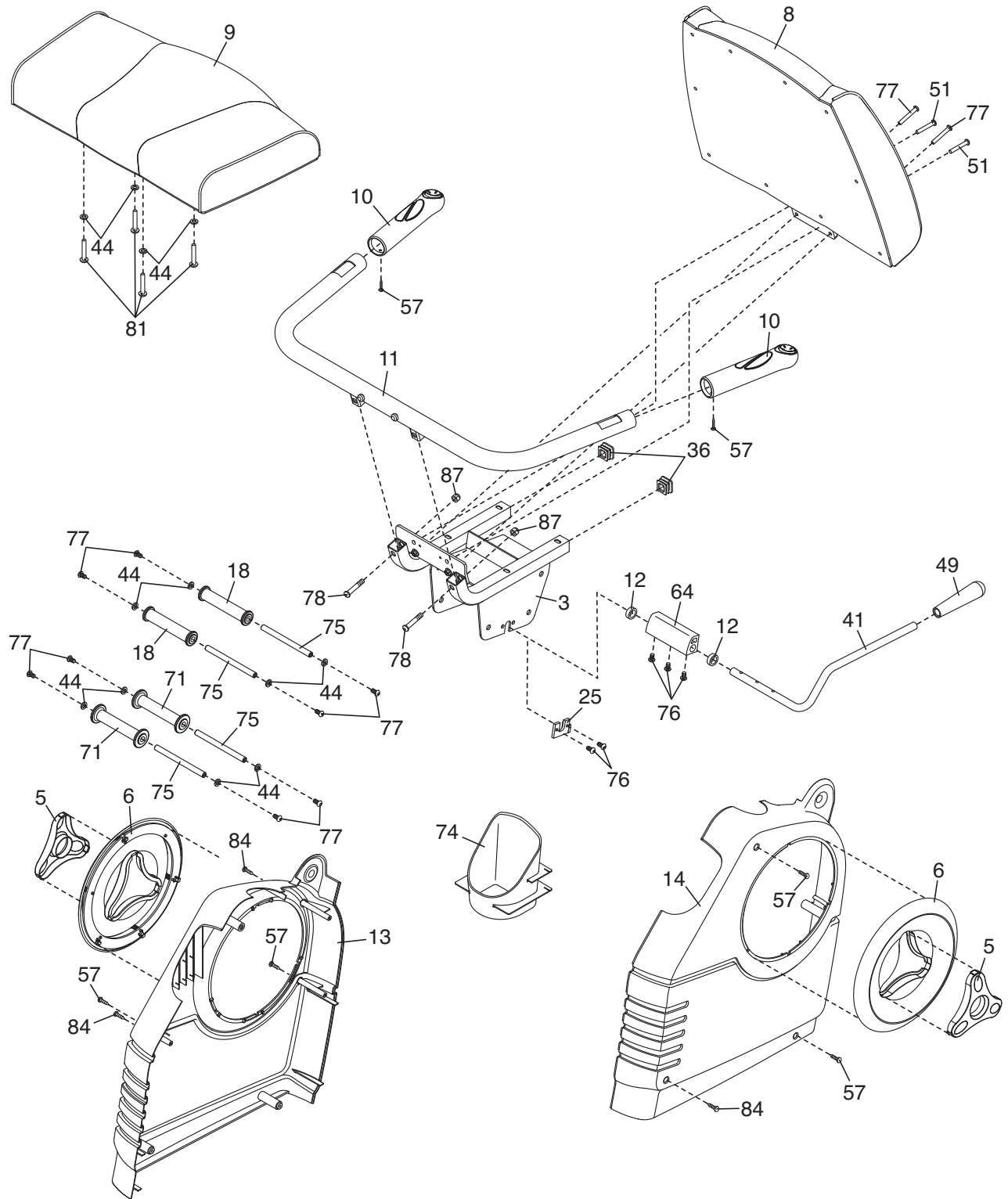


EXPLODED DRAWING A—Model No. PFEX03409.1

R0809A



EXPLODED DRAWING B—Model No. PFEX03409.1

R0809A

