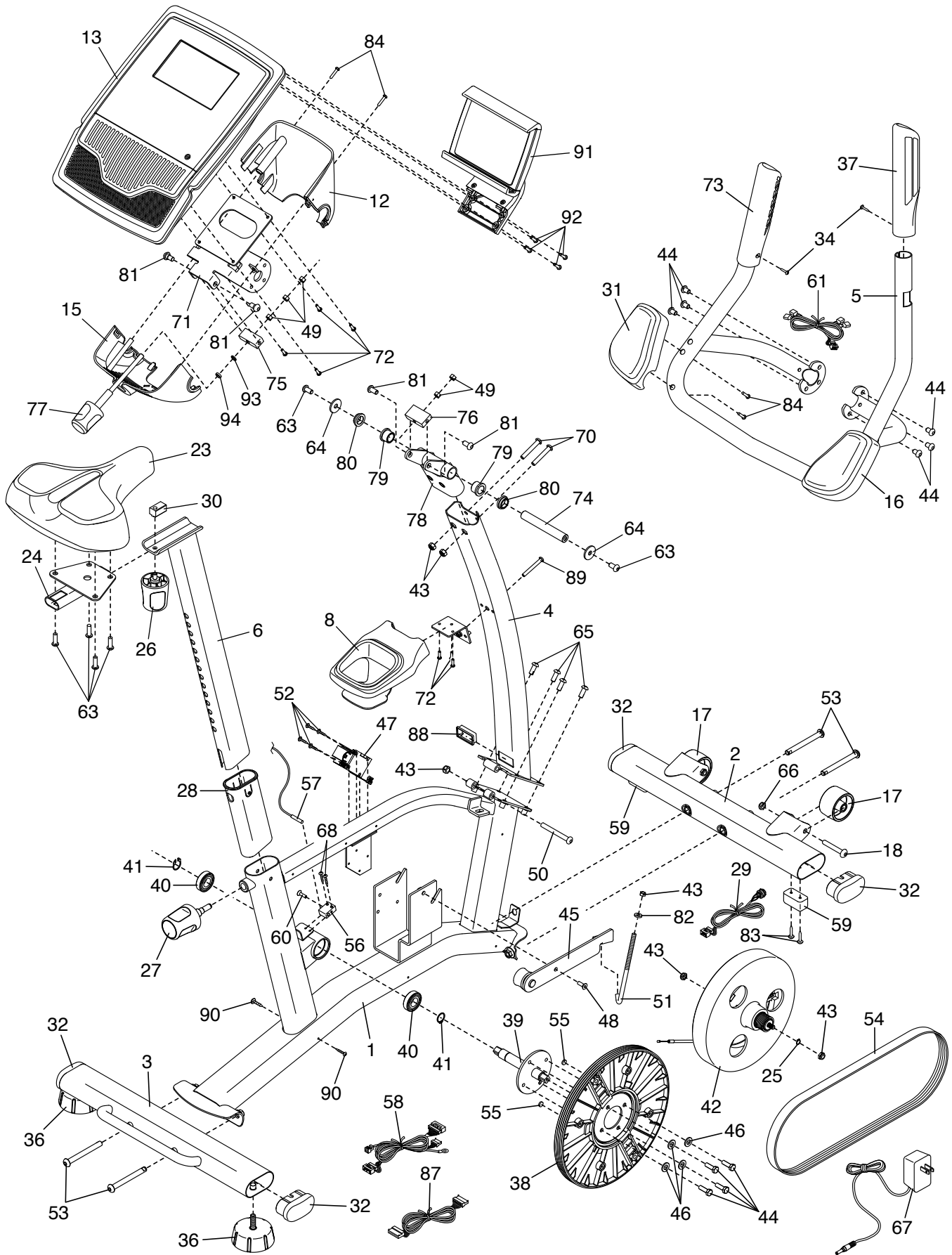


EXPLODED DRAWING A

Model No. PFEX14817.2 R0118A



EXPLODED DRAWING B

Model No. PFEX14817.2 R0118A

