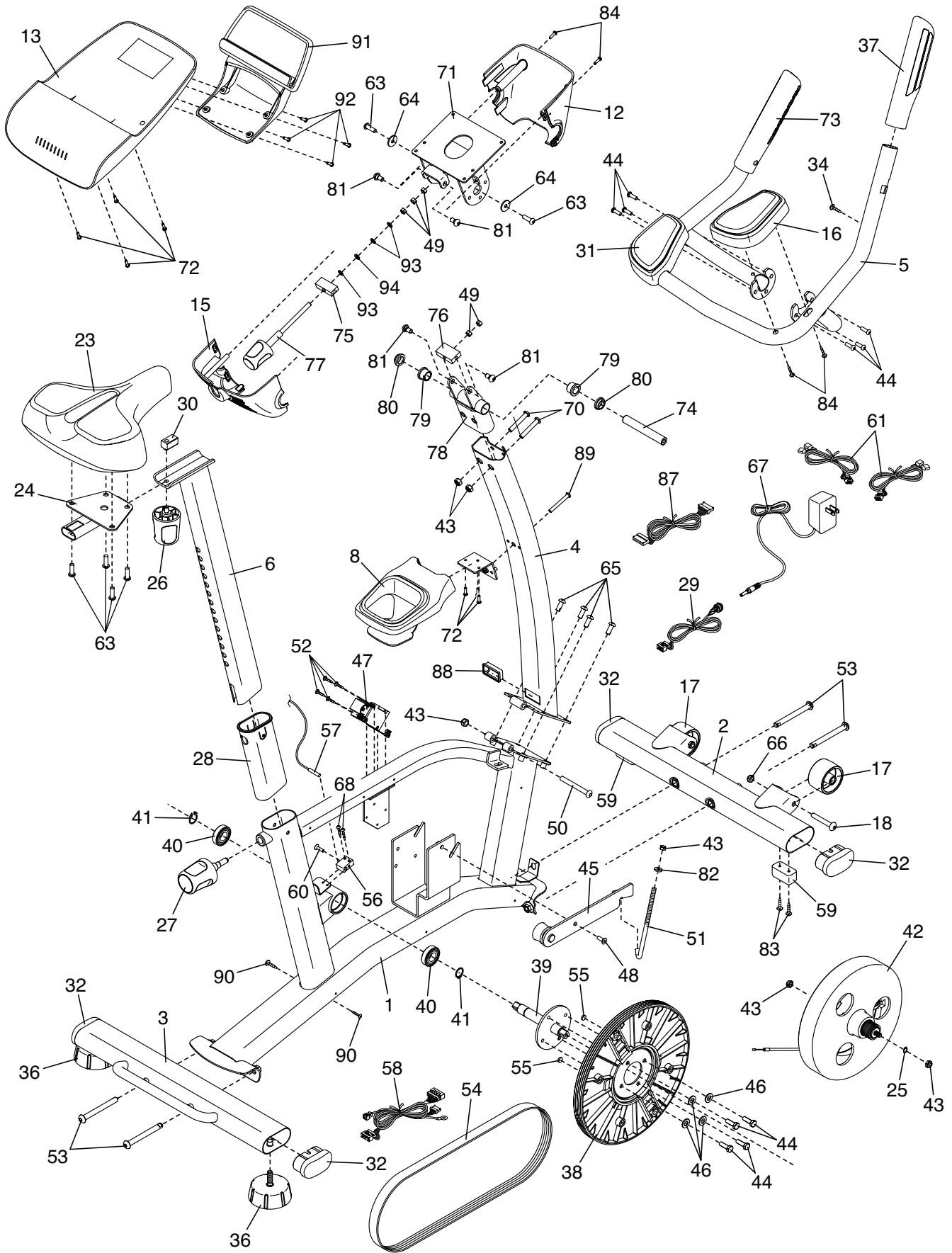


# EXPLODED DRAWING A

Model No. PFEX14914.0 R1114A



# EXPLODED DRAWING B

Model No. PFEX14914.0 R1114A

