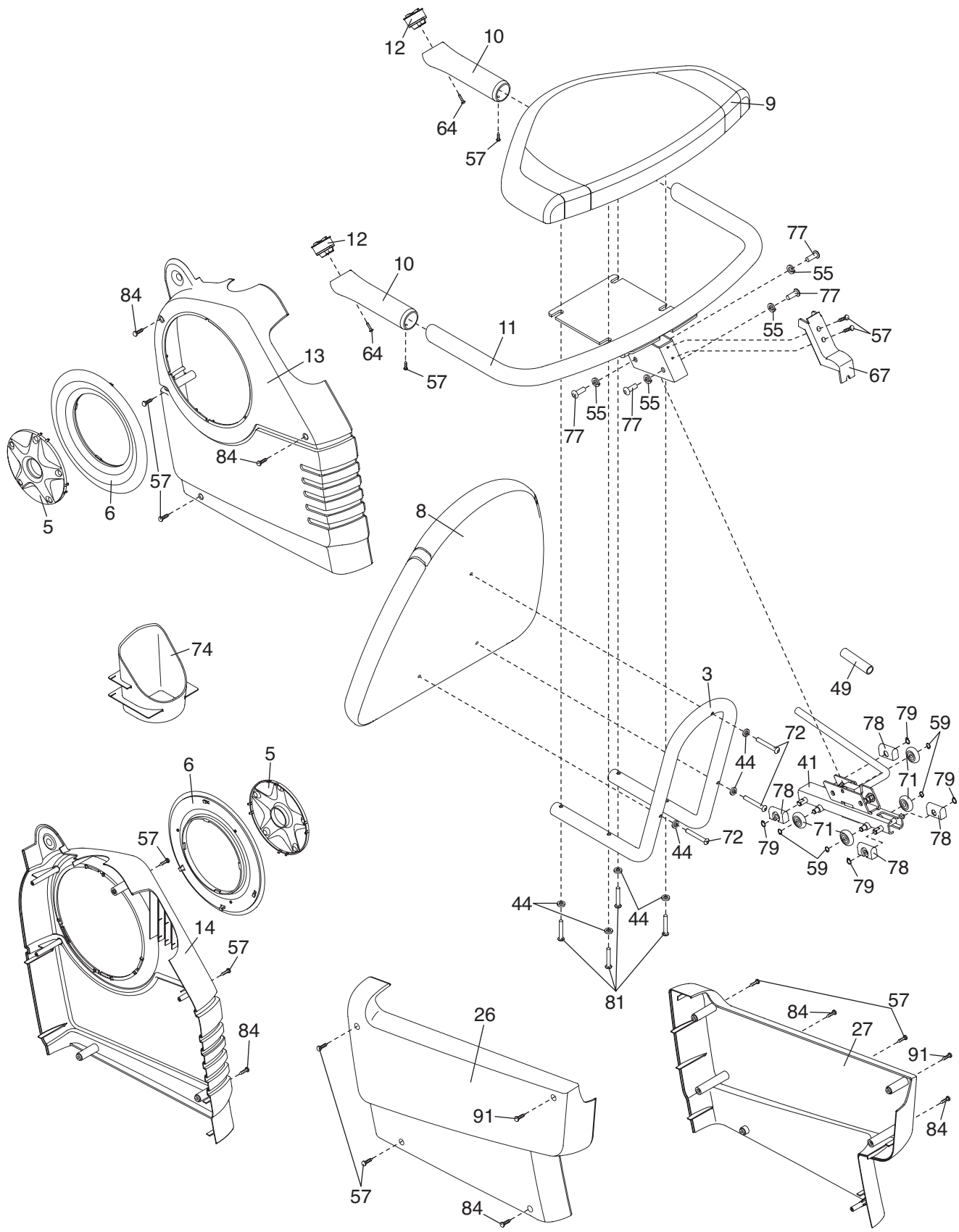


EXPLODED DRAWING A—Model No. PFEX44277.1

R0208A



EXPLODED DRAWING B—Model No. PFX44277.1

R0208A

