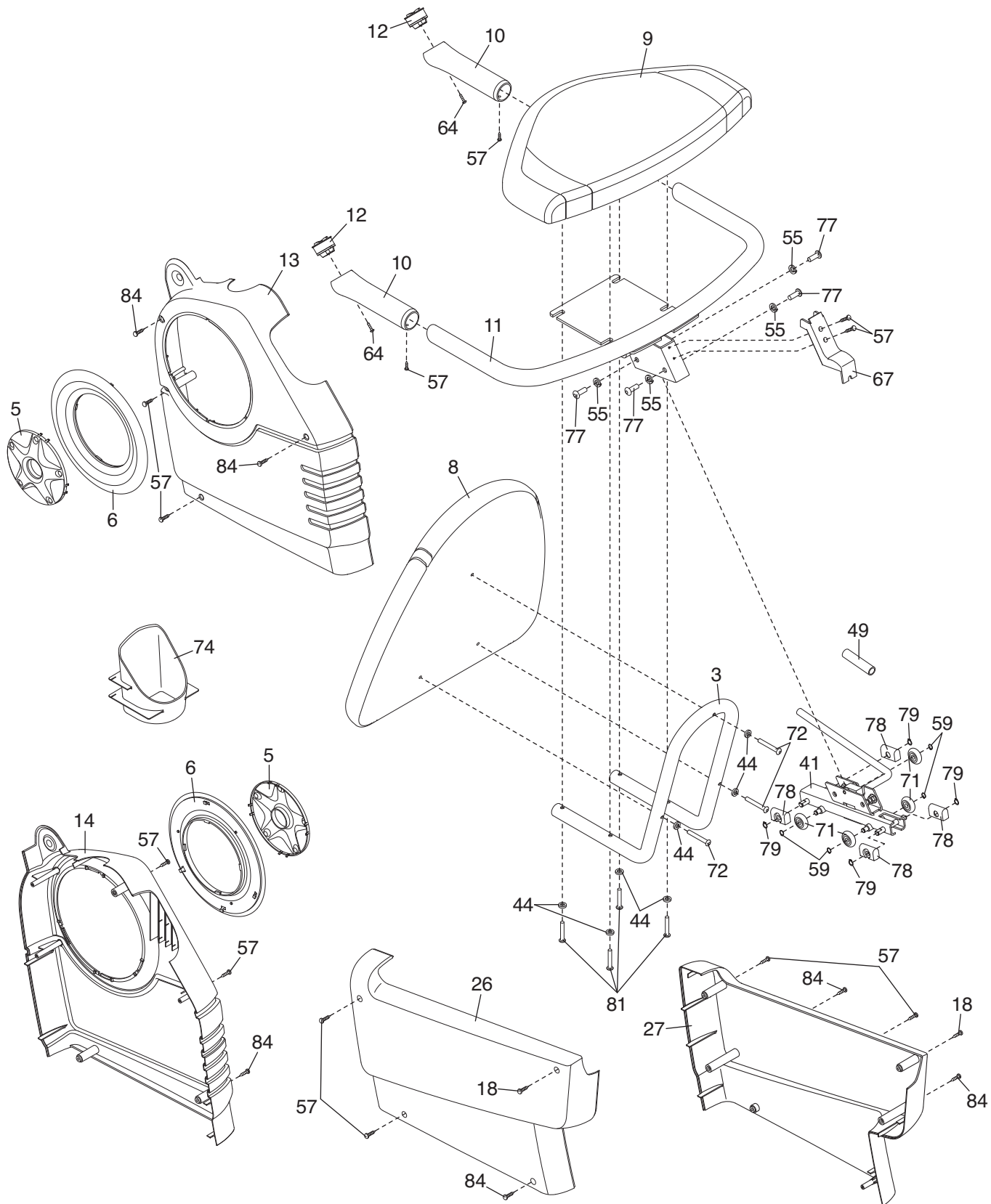


# EXPLODED DRAWING A—Model No. PFEX44277.2

R0808A



# EXPLODED DRAWING B—Model No. PFX44277.2

R0808A

