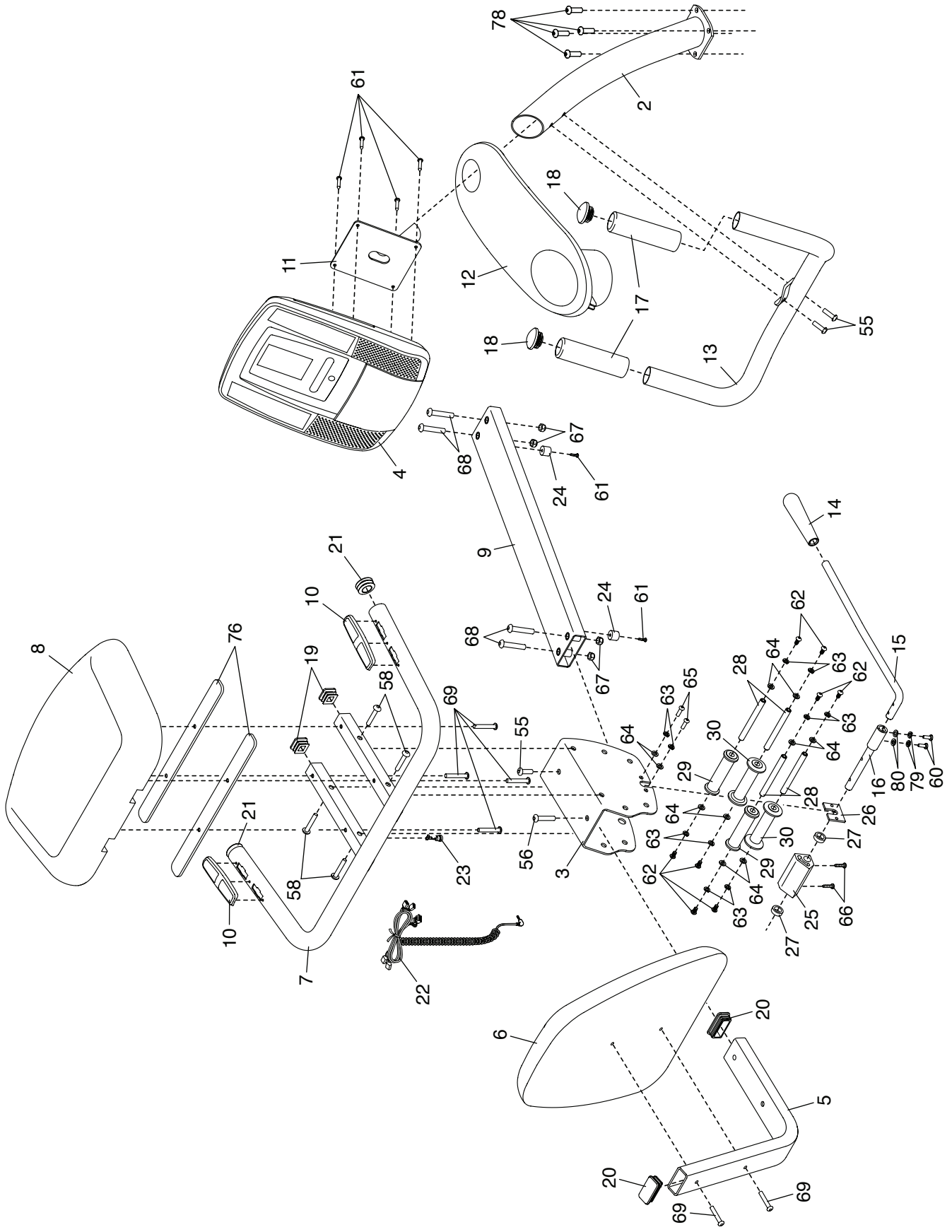


EXPLODED DRAWING A

Model No. PFEX52712.0 R0712A



EXPLODED DRAWING B

Model No. PFE52712.0 R0712A

