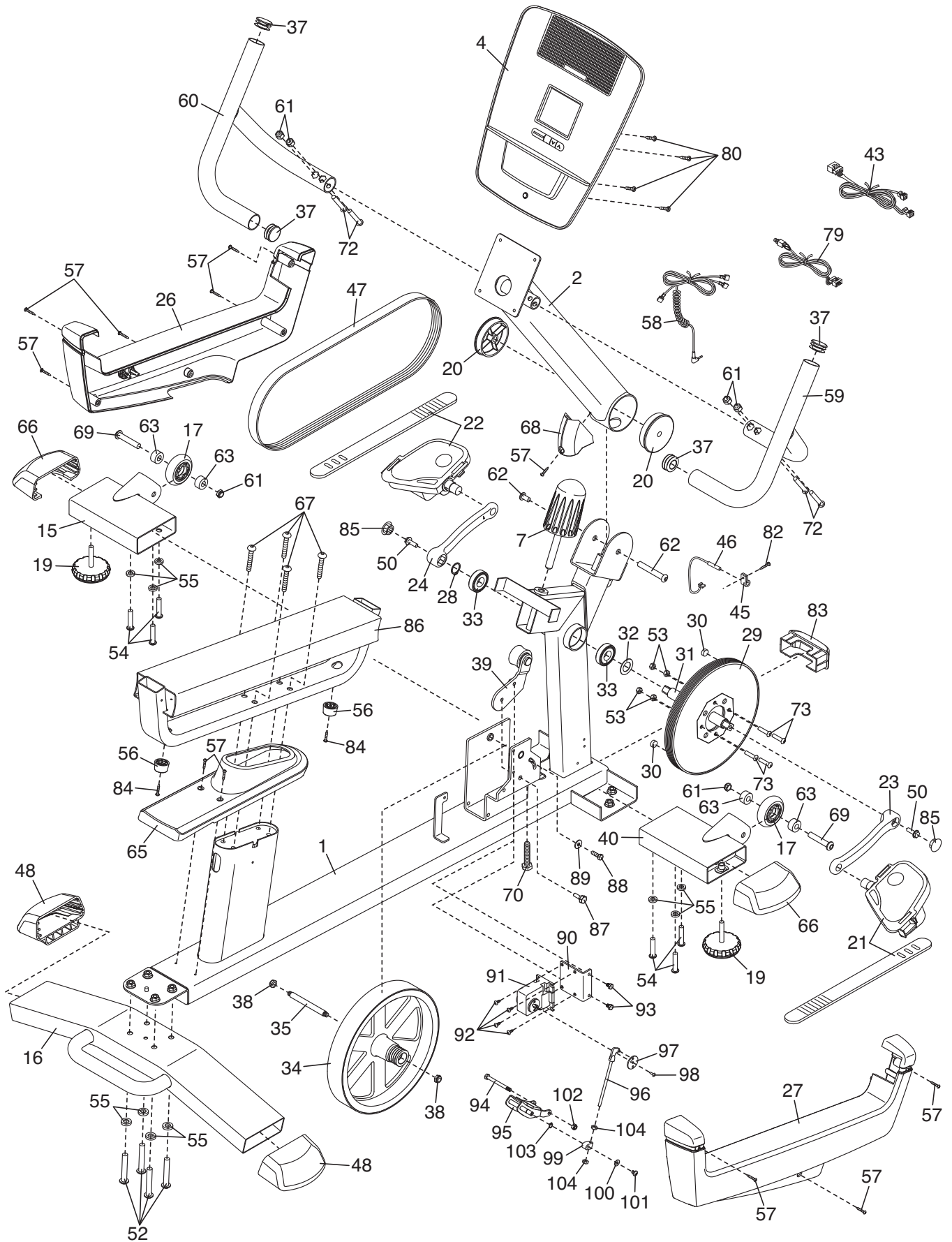


EXPLODED DRAWING A

Model No. PFE63910.1 R0112A



EXPLODED DRAWING B

Model No. PFEX63910.1 R0112A

